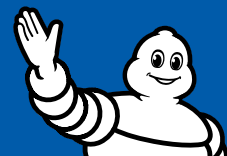


2022-23 EDITION

MICHELIN TECHNICAL DATA

EARTHMOVER TIRES



MICHELIN



EARTHMOVER TIRES

The information provided herein is for informational purposes only and may not be used or relied upon for legal or statutory action. For technical and safety reasons, a tire should never be used beyond the limits of the technical specifications for which it has been approved and all relevant recommendations as provided herein should be followed. Michelin is not responsible for any use, fitting, storage, maintenance, or handling outside stated recommendations.

MICHELIN® tires are designed for a specific use as defined in this catalog. Any other use constitutes an abnormal use. However, in some circumstances, Michelin may issue a waiver which will specify the conditions and the permitted operational limits for a specific application. If a tire is to be used differently than what it is designed for, please consult your nearest Michelin Representative for further guidance. **Michelin expressly denies any responsibility for any abnormal use of its tires or any use different from the tire's intended design in the absence of express written permission (derogation) from an authorized Michelin Representative.**

Further, correct usage and maintenance are necessary to achieve proper performance and to maximize life. Therefore, it is recommended that users adhere to all safety and usage recommendations. However, you must note that these recommendations may be subject to more restrictive local legal and/or regulatory requirements.

Specifically, tire load and pressure tables included in this book are classified according to the various applications of machines. In the load and pressure tables, the shaded boxes indicate the normalized values. These values reflect optimal use, the best balance of performances. Again, these values are given for informational purposes only and may not be used for legal or statutory actions.

Finally, unless otherwise specified, MICHELIN® off-the-road, industrial, and compact tires comply with internationally accepted standards that are established by TRA (Tire and Rim Association), ETRTO (European Tire and Rim Technical Organisation), JATMA (Japan Automobile Tire Manufacturers Association), and/or ISO (International Standards Organisation). Among other things, the standards encompass load capacity, inflation pressure, overall diameter, overall width, and related valves and rims. Some minor differences may exist between these standards.

PERFORMANCE

Any and all tire performance claims or comparisons contained herein are for informational purposes only to aid in the selection of a tire and **do not** constitute any form of performance guarantee or warranty. Individual results may vary. Such information may not be used as a basis for any performance guarantee or warranty claim.

Following publication, the information herein is subject to change in Michelin's sole discretion.

MICHELIN TECHNICAL DATA

EARTHMOVER TIRES

CONTENT CHAPTER

<i>TIRE RANGE CHART</i>	<i>PAGE 5</i>
<i>PRODUCT PRESENTATION</i>	<i>PAGE 10</i>
<i>TIRE CHARACTERISTICS</i>	<i>PAGE 61</i>
<i>GENERAL INFORMATION</i>	<i>PAGE 135</i>

TIRE RANGE CHART



RIGID DUMP TRUCKS

 E2 MICHELIN® XVC™	 E3 MICHELIN® XDC°	 E3 MICHELIN® XDR° 2 S	 E3 MICHELIN® X-TRACTION™ S	 E4 MICHELIN® XDR° +
 E4 MICHELIN® XDR° 2+	 E4 MICHELIN® XDR° 250	 E4 MICHELIN® XDR° 250+	 E4 MICHELIN® XDR° 4 SPEED + MD	 E4 MICHELIN® XDR° 4 SPEED MC
 E4 MICHELIN® XDR° 3	 E4 MICHELIN® XDR° 3+	 E4 MICHELIN® XDR° 3 EXTRA LOAD	 E4 MICHELIN® XDR° 3+ EXTRA LOAD	 E4 MICHELIN® XDR° 4 EXTRA LOAD
 E4 MICHELIN® XDT°	 E4 MICHELIN® XD GRIP	 E4 MICHELIN® XD MINEWORKS	 E4 MICHELIN® X-HAUL	 E4 MICHELIN® XHDT

TIRE RANGE CHART



RIGID DUMP TRUCKS — CONTINUED



E4

**MICHELIN®
X-TRACTION™**



E4

**MICHELIN®
X-TRA LOAD^{GRIP}**



E4

**MICHELIN®
X-TRA LOAD^{PROTECT}**



E4

**MICHELIN®
X-QUARRY S**

TIRE RANGE CHART



LOADERS

 L2 MICHELIN® X SNOPLUS®	 L2 MICHELIN® XTLA™	 L3 MICHELIN® XHA® 2	 L3 MICHELIN® XLD™ 65	 L4 MICHELIN® XLD® D1
 E4/L4 MICHELIN® XTXL®	 L5 MICHELIN® XLD® D2	 L5 MICHELIN® XTRA POWER	 L5 MICHELIN® X MINE® D2	 L5 MICHELIN® X MINE® D2 EXTRA LOAD



GRADERS

 G2 MICHELIN® XGLA2™	 L2 MICHELIN® X SNOPLUS®	 L2 MICHELIN® XTLA™	 L3 MICHELIN® XHA® 2	 L3 MICHELIN® XLD™ 65
 L4 MICHELIN® XLD® D1	 L5 MICHELIN® XLD® D2			

TIRE RANGE CHART



UNDERGROUND MINE MACHINES

 E3/L3 MICHELIN® XK®	 E4/L4 MICHELIN® XTXL®	 L5 MICHELIN® X UM HAUL	 L5 MICHELIN® X MINE® D2	 L5 MICHELIN® X MINE® D2 EXTRA LOAD
 L5 MICHELIN® X MINE® D2 PRO	 L3 MICHELIN® XSM® DN+	 L5 MICHELIN® XSM® D2+ LC	 L5 MICHELIN® XSM® D2+	 L5 MICHELIN® XSM® D2+ PRO



ARTICULATED DUMP TRUCKS

 E3 MICHELIN® XADN+®	 super E3 MICHELIN® XAD™ 65	 E4 MICHELIN® XTRA DEFEND	 E4 MICHELIN® X-SUPER TERRAIN+	 E7 MICHELIN® XS™ SAND
---------------------------------------------------------------------------------------------------------------------------------	----------------------------------------------------------------------------------------------------------------------------------------	--------------------------------------------------------------------------------------------------------------------------------------	--------------------------------------------------------------------------------------------------------------------------------------------	-------------------------------------------------------------------------------------------------------------------------------------

TIRE RANGE CHART



SCRAPERS



E3

MICHELIN®
XADN+®



E3

MICHELIN®
XTS®



E3

MICHELIN®
XMS™



E4

MICHELIN®
XRS™



CRANES AND TRANSPORT VEHICLES



E2

MICHELIN®
X-CRANE +® (M+S)



E2

MICHELIN®
XGC®



E2

MICHELIN®
XMH™ S



E2

MICHELIN®
X SNOPLUS®



COMPACTORS



C1

MICHELIN®
X° LISSE COMPACTEUR™

MICHELIN TECHNICAL DATA

EARTHMOVER TIRES

PRODUCT PRESENTATION

MICHELIN XDR2 S	PAGE 11	MICHELIN XLD D2	PAGE 35
MICHELIN XDR 2+	PAGE 12	MICHELIN X TRA POWER L5	PAGE 36
MICHELIN XDR 250	PAGE 13	MICHELIN X MINE D2	PAGE 37
MICHELIN XDR 250+	PAGE 14	MICHELIN X MINE D2 L5 HR	PAGE 38
MICHELIN XDR 4 SPEED + MD	PAGE 15	MICHELIN X MINE D2 L5 SR	PAGE 39
MICHELIN XDR 4 SPEED MC	PAGE 16	MICHELIN X MINE D2 LC	PAGE 40
MICHELIN XDR 3	PAGE 17	MICHELIN X MINE D2 L5	PAGE 41
MICHELIN XDR 3 2700R49	PAGE 18	MICHELIN X MINE D2 EXTRA LOAD	PAGE 42
MICHELIN XDR 3+		MICHELIN XGLA2	PAGE 43
MB4 & MB COMPOUND	PAGE 19	MICHELIN UM HAUL	PAGE 44
MICHELIN XDR 3 EXTRA LOAD	PAGE 20	MICHELIN X MINE D2 PRO	PAGE 45
MICHELIN XDR 3+ EXTRA LOAD MB4	PAGE 21	MICHELIN XSM D2+LC	PAGE 46
MICHELIN XDR 4 EXTRA LOAD	PAGE 22	MICHELIN XSM D2+	PAGE 47
MICHELIN XD GRIP	PAGE 23	MICHELIN XSM D2+ PRO	PAGE 48
MICHELIN XD MINEWORKS	PAGE 24	MICHELIN XADN+	
MICHELIN XHDT	PAGE 25	A & B4 COMPOUND	PAGE 49
MICHELIN X-TRACTION	PAGE 26	MICHELIN XAD 65	PAGE 50
MICHELIN XTRA LOAD GRIP		MICHELIN XTRA DEFEND	PAGE 51
A4 & B COMPOUND	PAGE 27	MICHELIN XS SAND	PAGE 52
MICHELIN XTRA LOAD PROTECT		MICHELIN XTS	PAGE 53
A & B4 COMPOUND	PAGE 28	MICHELIN XMS	PAGE 54
MICHELIN X SNOPLUS	PAGE 29	MICHELIN XRS	PAGE 55
MICHELIN XTLA	PAGE 30	MICHELIN X-CRANE+ M+S	PAGE 56
MICHELIN XHA 2	PAGE 31	MICHELIN XGC	PAGE 57
MICHELIN XLD 65	PAGE 32	MICHELIN XMH S	PAGE 58
MICHELIN XLD D1	PAGE 33	MICHELIN X LISSE COMPACTEUR	PAGE 59
MICHELIN XTXL	PAGE 34		

MICHELIN XDR2 S

**GET +7% OF YOUR
TIRE LIFE AND INCREASE
YOUR UPTIME¹**



For Rigid Dump Trucks



**BETTER
RESISTANCE TO
AGGRESSIVE
CONDITIONS
AND CORROSION**

Thanks to high resistance steel for stronger cables & plies and corrosion isolating cables design



**BETTER TREAD
ENDURANCE**

A new tread pattern design with better thermal properties and better crown protection



**BETTER BEAD AREA
ENDURANCE**

Experience a 20% wider bead bundle and better rim contact surface¹ thanks to Michelin's B2 technology

¹ Compared to the MICHELIN® 59/80R63 XDR® S tire.

MICHELIN XDR2+



**MORE TRACTION,
MORE ROBUST**



For Rigid Dump Trucks



**RELIABLE
TRACTION**

Adheres in loose ground
and muddy conditions



**STEEL
ENCAPSULATED
BY RUBBER**

Corrosion spread prevention
and increased robustness



**MORE ROBUST
BEAD AREA**

Increased resistance
and easier mountability



TIRE SIZE: 40.00R57

MICHELIN XDR 250



**RUN HARDER, KEEP
COOL, GET MORE**



For Rigid Dump Trucks



**THE MOST PRODUCTIVE
TIRE WITH AT LEAST 25%¹
MORE TKPH.**



**HIGH LOAD
CAPACITY**

TKPH increase thanks to
a bigger tire



A COOLER TIRE

Increase TKPH without
compromising tire life
thanks to a new, more
ventilated tread pattern



**EXCEPTIONAL
TIRE LIFE**

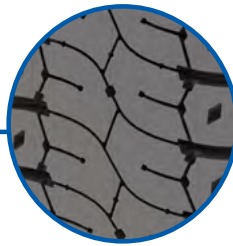
Go further with the
MICHELIN® XDR® 250 tires
thanks to long-lasting
innovations

¹ Compared to BRIDGESTONE 46/90R57 VRPS. Data gathered from 2015 BS databook.

MICHELIN XDR 250+



**RUN HARDER,
GET MORE LIFE**



OPTIMIZED WEAR IN FRONT AND REAR AXLES

With MICHELIN® multilayer technology

- Blue layer² is optimized for front axles for the first cycle of the tire's life
- Yellow layer² underneath is optimized for rear axles for the second cycle of the tire's life
- Tires are designed to be rotated to the rear axles to increase tire life



For Rigid Dump Trucks

**INCREASE TIRE
LIFE BY 8%¹ FOR
MB4 AND MB,
THANKS TO:**



IMPROVED WEAR RESISTANCE

With second generation of revolutionary compounds—MB4 and MB

Superior level of carbon black dispersion, leading to increased wear resistance



INCREASED AGGRESSION RESISTANCE¹

Optimized contact patch that delivers improved wear profile and protects your truck

¹ The new MICHELIN® 50/80R57 XDR® 250+ tire has INCREASED TIRE LIFE BY 8%, thanks to new generation of compounds, innovative tread layers⁽¹⁾ and improved aggression resistance⁽²⁾.
⁽¹⁾ Compared to the MICHELIN® XDR® 250 50/80R57 tire. Average performance by mine site. Projected improvement in tire life based on field performance in 70 customer mine sites over 25 months. Actual results may vary.

⁽²⁾ Compared to the MICHELIN® XDR® 250 50/80R57 tire, thanks to carrying the same load capacity at lower air pressure, according to the 2019 MICHELIN® Data Book.

² Blue and yellow tire colors depicted above are for dramatic purposes only. All MICHELIN® tires are black in color.

MICHELIN XDR 4 SPEED + MD



**SPEED UP
YOUR PRODUCTIVITY**



For Rigid Dump Trucks



**HIGHEST TKPH ON
THE MARKET¹**

Significantly higher than the BRIDGESTONE[®] MASTERCORE[®] VREV E3A tire and 13% higher than the MICHELIN[®] XDR[®] 250 C tire¹



**SMARTER
SUSTAINABILITY**

Achieving more production in less time, this lighter tire supports a greener planet



MORE GRIP²

Optimized lateral grooves assist in faster evacuation of mud, dirt and water

¹The MICHELIN[®] 50/80R57 XDR[®] 4 SPEED + MD tire offers the HIGHEST TKPH on the market, 1,822 TKPH. This significantly exceeds the BRIDGESTONE[®] 50/80R57 MASTERCORE[®] VREV[®] E3A tire with 1,333 TKPH.⁽¹⁾

⁽¹⁾TKPH figures from Michelin 2019 Databook and Bridgestone 2021 Databook. Actual site TKPH will vary based on many factors, including cycle distance, temperature, and load conditions.

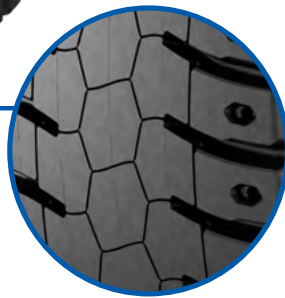
²MORE GRIP thanks to optimized lateral grooves. ⁽¹⁾

⁽¹⁾Improved grip compared to the MICHELIN[®] XDR[®] 250 C 50/80R57 tire.

MICHELIN XDR 4 SPEED MC



**RUN FAST, RUN COOLER¹,
RUN LONGER²**



For Rigid Dump Trucks



**7% LONGER
TIRE LIFE²**

Without compromising TKPH (1,608), thanks to a tread pattern that improves aggression resistance and a tread compound that is more wear resistant²



**COOLER TIRE AT
THE SAME SPEED¹**

Better thermal capacity reduces TPMS temperature alarms



MORE GRIP³

Optimized lateral grooves assist in faster evacuation of mud, dirt and water



**SMARTER
SUSTAINABILITY**

Supports a greener planet by delivering longer life² without compromising TKPH

¹ COOLER Tire ⁽¹⁾ AT THE SAME SPEED ⁽²⁾ thanks to better thermal capacity that reduces TPMS temperature alarms

⁽¹⁾ Compared to MICHELIN® 50/80R57 XDR® 250 C tire. Actual results may vary.

⁽²⁾ TKPH figures from Michelin 2019 Databook and Bridgestone 2021 Databook. Actual site TKPH will vary based on many factors, including cycle distance, temperature, and load conditions.

² The new MICHELIN® 50/80R57 XDR® 4 SPEED MC tire PROVIDES EXCEPTIONAL tire LIFE with an INCREASE of A MINIMUM of 7% additional tire life ⁽¹⁾

⁽¹⁾ Compared to MICHELIN® 50/80R57 XDR® 250 C, based on average projected performance by mine site. Actual results may vary.

³ MORE GRIP thanks to optimized lateral grooves.⁽¹⁾

⁽¹⁾ Improved grip compared to the MICHELIN® XDR® 250 C 50/80R57 tire.

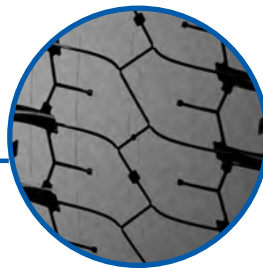
MICHELIN XDR 3



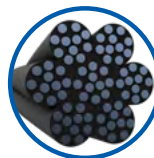
**LONG LASTING
INNOVATIONS**



For Rigid Dump Trucks



**EXCEPTIONAL
TIRE LIFE, INCREASED
BY A MINIMUM OF
8-10%**^{3,4,5,6,7}

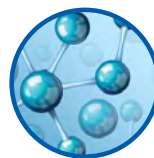


**NEW CORROSION-
PROOF CABLES**

**10%
STRONGER²**



**REVOLUTIONARY
TREAD PATTERN**



**REVOLUTIONARY
COMPOUNDS**

**Homogeneous mix designed
to lead to a slower wear rate**

TIRE SIZES¹: 33.00R51⁴, 37.00R57⁶, 40.00R57³, 50/90R57⁵, 53/80R63, 59/80R63³

¹ Features may vary depending on specific tire size.

² Vs. MICHELIN® XDR® 2 tire, all sizes.

³ Projected improvement in tire life based on wear rate improvements based on new MB4/MC4 tread compounds and on field performance in 14 customer mine sites over 29 months comparing the tread pattern of the MICHELIN® XDR® tire (on predecessor and prototype tires) to the tread pattern of the MICHELIN® XDR® 2 and MICHELIN® XDR® tires. Additional improvements in tread cuts and tread fatigue anticipated because of 17 degrees F lower tread operating temperature and corrosion-isolating cables. Actual results may vary.

⁴ Compared to MICHELIN® XDR® 2 33.00 R 51, average performance by mine site. Projected improvement in tire life based on field performance in customer mine sites over 29 months of the MICHELIN® XDR® 2, MICHELIN® XDR® 250 and MICHELIN® XP 57, 40.00 R 57 and 53/80 R 63, tires that included individual design improvements incorporated into the MICHELIN® XDR® 3.

⁵ Compared to MICHELIN® XDR® 2 50/90R57, average performance by mine site. Projected improvement in tire life based on field performance in customer mine sites over 29 months of the MICHELIN® XDR® 2, MICHELIN® XDR® 250 and MICHELIN® XP 57, 40.00 R 57 and 53/80 R 63, tires that included individual design improvements incorporated into the MICHELIN® XDR® 3.

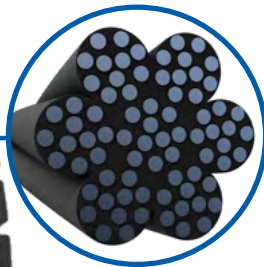
⁶ Compared to the MICHELIN® XDR® 2 37.00R57 tire, average performance by mine site. Projected improvement in tire life based on field performance in customer mine sites over 29 months of the MICHELIN® XDR® 2, MICHELIN® XDR® 250 and MICHELIN® XP 57, 40.00R57 and 53/80R63 tires that included individual design improvements incorporated into the MICHELIN® XDR® 3 tire. Actual results may vary.

⁷ Without any compromise on TKPH.

MICHELIN XDR 3 27.00R49



CHOOSE YOUR BENEFIT



Steel encapsulated by rubber prevents corrosion spread, thus increasing aggression resistance.



For Rigid Dump Trucks



**10% MORE
TIRE LIFE¹**

You can get more life out of your tire thanks to a revolutionary tread pattern



**10% MORE
LOAD CAPACITY²**

You can carry more because of the *** rating and an optimized tire design that improves stress distribution in the tire



**10%
MORE TKPH³**

You can go faster thanks to a cooler tire with an optimized tread design

TIRE SIZES: 27.00R49

¹ Compared to MICHELIN® XDR2 tires in ** usage. Projected improvement in tire life based on field performance in customer mine sites (over 29 months using the MICHELIN® XDR 2, MICHELIN® XDR 250, and MICHELIN® XP 57 tires in sizes 40.00R57 and 53/80R63 that include individual design improvements incorporated into the MICHELIN® XDR 3). Actual results may vary.

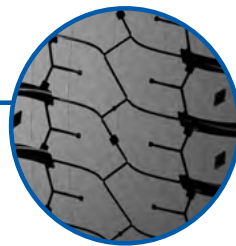
² Compared to the MICHELIN® XDR2 ** tire in size 27.00R49. Actual results may vary. (Source: 2017 MICHELIN® Earthmover Technical Databook).

³ Compared to the MICHELIN® XDR2 tires in size 27.00R49. Actual results may vary. (Source: 2017 MICHELIN® Earthmover Technical Databook)."

MICHELIN XDR 3+ MB4 & MB COMPOUND*



**LONGER-LASTING
INNOVATIONS**



For Rigid Dump Trucks

GET MORE TIRE LIFE:

AT LEAST

4%¹ MORE

WITH THE MB4 COMPOUND

AT LEAST

6%¹ MORE

WITH THE MB COMPOUND

TIRE SIZES

- MICHELIN® XDR® 3+ 40.00R57 MB TIRE
- MICHELIN® XDR® 3+ 40.00R57 MB4 TIRE
- MICHELIN® XDR® 3+ 50/90R57 MB TIRE
- MICHELIN® XDR® 3+ 50/90R57 MB4 TIRE
- MICHELIN® XDR® 3+ 53/80R63 MB TIRE
- MICHELIN® XDR® 3+ 53/80R63 MB4 TIRE
- MICHELIN® XDR® 3+ 59/80R63 MB TIRE
- MICHELIN® XDR® 3+ 59/80R63 MB4 TIRE



NEW MICHELIN® MULTILAYER TECHNOLOGY

Designed for optimized wear
on front and rear axles



2ND GENERATION OF REVOLUTIONARY COMPOUNDS

Designed with a more
homogeneous mix leads
to a slower wear rate

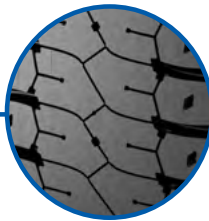
* Please refer to the Earthmover Tire Compound section on page 147.

¹ Compared to the MICHELIN® XDR® 3 tire. Average performance by mine site. Projected improvement in tire life based on the result of 13 field performance placement customer mine sites. Actual results may vary.

MICHELIN XDR 3 EXTRA LOAD



**BOOST PAYLOAD,
BOOST PRODUCTIVITY!**



For Rigid Dump Trucks

**INCREASE YOUR MAXIMUM
TRUCK PAYLOAD BY UP TO**

**12.6%¹ vs.
MICHELIN® XDR® 3 (TKPH=15%²)**



REVOLUTIONARY COMPOUNDS

A slower wear rate thanks
to a new mixing process



REVOLUTIONARY TREAD PATTERN

Interlocking blocks of rubber
create better load distribution



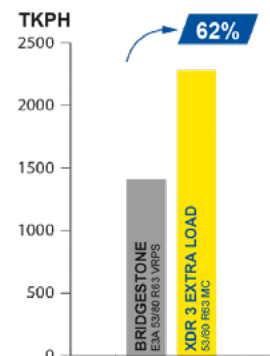
STRONGER CABLES, NEW PLYS, ROBUST STRUCTURE

Increased robustness with
steel encapsulated by rubber.
Better resistance to aggression
and extra load conditions.

TIRE SIZE: 53/80R63

¹ Based on comparisons of maximum load capacity of the MICHELIN® XDR® 3 Extra Load to the MICHELIN® XDR® 3, size 53/80R63, as set forth in the 2018 Michelin Data Book, taking as a reference the technical data of the Komatsu 930-E4 truck. Actual results may vary, and may be impacted by many factors, to include road conditions, weather, environment, driving habits, tire size, equipment and maintenance.

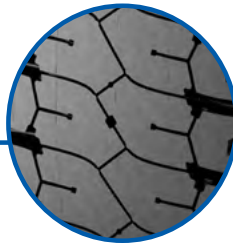
² Based on comparisons of the MICHELIN® XDR® 3 Extra Load to the MICHELIN® XDR® 3, as set forth in the 2018 MICHELIN® Data Book.



MICHELIN XDR 3+ EXTRA LOAD MB4



**LONGER-LASTING
INNOVATIONS**



For Rigid Dump Trucks



**BUILT FOR
EXTRA-LOAD
CONDITIONS**

Stronger cables², new plies and robust structure designed to deliver additional strength



DESIGNED TO HANDLE

- STEERING FORCE
- BRAKING FORCE

- BRAKING FORCE
- TORQUE TRANSMISSION

OPTIMIZED WEAR IN FRONT AND REAR AXLES

With MICHELIN® multilayer technology

- Blue layer¹ is optimized for front axles for the first cycle of the tire's life
- Yellow layer¹ underneath is optimized for rear axles for the second cycle of the tire's life
- Tires are designed to be rotated to the rear axles to increase tire life



IMPROVED WEAR RESISTANCE

Second generation revolutionary compound—MB4—extends tire life by at least 4%³



HIGHEST TKPH ON THE MARKET

¹ Blue and yellow tire colors depicted above are for dramatic purposes only. All MICHELIN® tires are black in color.

² Based on comparisons of the MICHELIN® XDR® 3+ Extra Load tire to the MICHELIN® XDR® 3 tire, as set forth in the 2018 MICHELIN® Data Book.

³ Compared to the MICHELIN® XDR® 3 tire. Average performance by mine site. Projected improvement in tire life based on the result of 13 field performance placement customer mine sites. Actual results may vary.

MICHELIN XDR 4 EXTRA LOAD



**BOOST PAYLOAD,
BOOST PRODUCTIVITY**



For Rigid Dump Trucks



**10% MORE
LOAD CAPACITY¹**

Optimized to carry up to 115 tons, thanks to new cables, architecture and larger size



**UP TO 2576
TKPH²**



**INNOVATIVE
TREAD PATTERN**

Improved heat resistance, adherence and wear profile³



TIRE SIZE: 59/80R63

¹ With the new MICHELIN® XDR® 4 EXTRA LOAD 59/80R63, get 10% more load capacity, to carry up to 115 tons, due to new cables, architecture and larger size.

² Based on comparisons to the 2021 Bridgestone Databook and the 2020 Goodyear Databook. Actual results may vary.

³ The new MICHELIN® XDR® 4 EXTRA LOAD 59/80R63 tire was designed for improved heat resistance, adherence and wear profile, thanks to a new tread pattern.

MICHELIN XD GRIP



**BETTER GRIP,
BIGGER BENEFITS**



For Rigid Dump Trucks

UNSTOPPABLE GRIP CAPABILITIES

30% more lug edges¹ for
unstoppable grip in muddy
or loose conditions

AGGRESSION RESISTANCE FROM HIDDEN OBSTACLES²

New design with larger
contact patch, extra
protection and more
tread volume



EXTRA LOAD, LIFE AND SPEED

10% more life³, load⁴ or
speed⁵ vs. the MICHELIN[®]
X-TRACTION™ tire

TIRE SIZE: 27.00R49

¹ Compared to the MICHELIN[®] X-TRACTION™ tire in size 27.00R49 and based on internal measurement results. Actual results may vary.

² Compared to the MICHELIN[®] X-TRACTION™ tire. Actual results may vary.

³ Compared to the MICHELIN[®] X-TRACTION™ tire in ** usage in size 27.00R49 and based on field test measurements and FARO-method measurements certified by the Michelin Center of Technology. Actual results may vary.

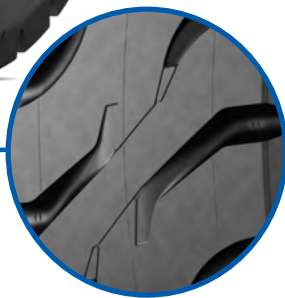
⁴ Compared to the MICHELIN[®] X-TRACTION™ ** tire in size 27.00R49. (Source: 2017 MICHELIN[®] Technical Databook for Earthmover tires).

⁵ Compared to the MICHELIN[®] X-TRACTION™ tire in size 27.00R49. Actual results may vary. (Source: 2017 MICHELIN[®] Technical Databook for Earthmover tires).

MICHELIN XD MINEWORKS



WORRY-FREE DEPENDABILITY



For 100-Ton Mining and
Quarry Dump Trucks



NEW TREAD PATTERN AND DEPTH

Delivers even wear and
minimal maintenance,
specifically tire rotations



LESS PRESSURE

Reduces aggression
damages and improves
suspension and comfort



A NEW MARKET TIER

Competes in the Tier
2 market alongside
Bridgestone, Continental,
Goodyear and Yokohama

TIRE SIZE: 27.00R49

MICHELIN XHDT



**INCREASE PRODUCTIVITY
AND LOWER YOUR
OPERATING COSTS**



For Rigid Dump Trucks



THE TKPH WINNER

Increased productivity¹

■ COMPOUND XHDT A

TKPH = 170 (23 KM/H MAX)



■ COMPOUND XHDT B

TKPH = 222 (30 KM/H MAX)



OPTIMIZED PERFORMANCE

Optimized tread pattern for ideal traction and evacuation

Enhanced tread depth of 47 mm for long life

Built-up sidewall for protection against sidewall penetrations

MICHELIN X-TRACTION



**INCREASE UPTIME,
REDUCE COSTS,
EVEN WHEN IT'S WET!**



For Rigid Dump Trucks



INCREASED TIRE LIFE

Thanks to 10% greater rubber volume on the ground to be used¹



HIGH RESISTANCE TO AGGRESSION

Additional sidewall protection band increases sidewall impact resistance

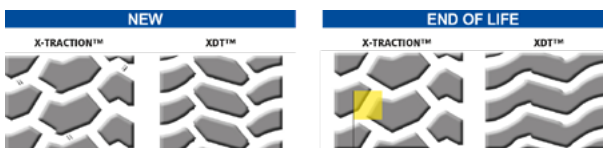
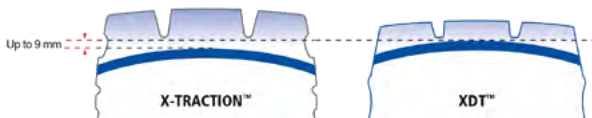


EXCEPTIONAL TRACTION AND GRIP

An aggressive, non-directional, open, deep tread pattern. Massive, widely-spaced tread blocks. Excellent self-cleaning capabilities.



Up to 15% deeper tread pattern²



Worn out tire still keeping stable lug/void ratio.

¹ Internal comparison between the Michelin® X-Traction and the Michelin® XDT™, measurements certified by the Michelin® Center or technology, results may vary according to the tire dimensions.

² Internal comparison between the Michelin® X-Traction and the Michelin® XDT™, see Michelin Earthmover Databook 2019.

MICHELIN XTRA LOAD GRIP A4 & B COMPOUND*



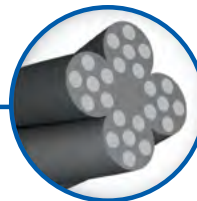
**SPEED OR LOAD, CHOOSE
YOUR EFFICIENCY**



For Rigid Dump Trucks



**EXCELLENT GRIP^{1,2}
IN LOOSE GROUND
CONDITIONS**



**CORROSION-
PROOF CABLES**

Steel encapsulated by rubber prevents corrosion spread, thus increasing aggression resistance.



**BETTER
LONGEVITY**

Optimized contact patch with the ground



**8-11%
HIGHER PAY LOAD^{3,4}**



**UP TO
34 KILOMETERS
IN AN HOUR⁵**



**+5-8%
WEAR LIFE^{6,7}**

TIRE SIZES: 18.00R33 A4 & B*^{1,2,3,5,6}, 24.00R35 A4 & B*^{1,2,4,5,7}

¹ Due to 30% more lug edges in contact with the ground.

² Based on customer feedback done on: 140 tires (field tests) in 10 countries by 23 customers during 2016 and 2017.

³ Compared to Bridgestone® VMTP tires, MICHELIN® XDT™ tires, and MICHELIN® X® TRACTION™ SC tires in size 18.00R33. Actual results may vary. (Sources: Bridgestone® 2018 OTR Data Book and MICHELIN® 2017 Data Book).

⁴ Compared to the same size in Bridgestone® VMTP and VRLS - Source Bridgestone® OTR Databook 2016 and MICHELIN® XDT™ tire, MICHELIN® X-TRACTION™ SC tire - Source MICHELIN® Data Book 2017. ⁵ Compared to MICHELIN® X® TRACTION™ SC and MICHELIN® XDT™ B compound tires. Actual results may vary.

⁶ Compared to MICHELIN® XDT™ tires in size 18.00R33 and based on field test measurements and FARO-method measurements certified by the Michelin® Center of Technology. Actual results may vary.

⁷ Compared to same size in MICHELIN® XDT™ tire, field test measurements certified by the Michelin® Center of Technology, from 2015 to 2017.

*Please refer to the Earthmover Tire compounds section on page 147.

MICHELIN XTRA LOAD PROTECT A/A4 & B/B4 COMPOUND*

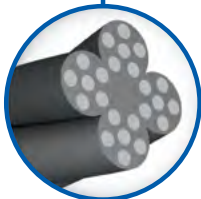


**EASY LIFE IN
HARD CONDITIONS**



For Rigid Dump Trucks

**EXCELLENT PROTECTION
IN HARD, SHARP
GROUND CONDITIONS**



CORROSION- PROOF CABLES

Steel encapsulated by rubber prevents corrosion spread, thus increasing aggression resistance.



**8-11%
HIGHER PAY LOAD^{1,2}**



**MORE DISTANCE
IN AN HOUR³**



**+7-8%
WEAR LIFE^{4,5}**

TIRE SIZES: 18.00R33 A & B^{1,3,4}, 24.00R35 A4 & B^{2,3,5}

¹ Compared to the Bridgestone® VMTP and VRLS tires and MICHELIN® X®QUARRY™ S tires in size 18.00R33. Actual results may vary. (Sources: Bridgestone® OTR 2018 Data Book and MICHELIN® 2017 Data Book.)

² Compared to the same size in Bridgestone® VMTP and VRLS - Source Bridgestone® OTR Databook 2016 and MICHELIN® X®QUARRY™ S - Source Michelin® Databook 2017

³ Compared to MICHELIN® X®QUARRY™ S tires. Actual results may vary.

⁴ Compared to MICHELIN® X®QUARRY™ S tires in size 18.00R33 and based on field tests measurements and FARO-method measurements certified by the Michelin® Center of Technology. Actual results may vary.

⁵ Compared to the same size in MICHELIN® X®QUARRY™ S, field tests measurements certified by the Michelin® Center of Technology, from 2015 to 2017. "

*Please refer to the Earthmover Tire compounds section on page 147.

MICHELIN X SNOPLUS



**EXCEPTIONAL TRACTION
ON SNOW AND ICE**



For Loaders, Cranes and Graders



ALL-SEASON USE

The wide, non-directional tread design makes this ideal tire for year-round use



LOW OPERATING COST

Drastic reduction in downtime: the Michelin all-steel casing design has less flats than traditional bias-ply tires

Excellent wear life



OUTSTANDING TRACTION ON SNOW AND ICE

The special rubber compound and aggressive lug design with added sipes provide maximum maneuverability in winter conditions and minimize the need for chains

MICHELIN XTLA



**EXCEPTIONAL TRACTION
AND STABILITY ON
YIELDING TERRAIN**



For Loaders and Graders



EXCEPTIONAL TRACTION

With an aggressive, non-directional tread pattern, the MICHELIN® XTLA™ tire offers a wide contact area and delivers exceptional traction in a broad variety of conditions



GOOD STABILITY

The summit is reinforced to offer stability on par with the MICHELIN® XHA 2® tire



DRASTIC DOWNTIME REDUCTION

The Michelin all-steel casing design has less flats than traditional bias-ply tires

The design of the shoulder/sidewall intersection offers improved damage resistance

MICHELIN XHA 2



**OPTIMIZE YOUR OPERATIONAL
COST THANKS TO AN
EXCEPTIONAL TIRE LIFE**



For Loaders and Graders



DESIGNED TO BE RETREADED

Heat is the number one enemy of a tire. If your tire runs cooler it will last longer. The tire has been designed to limit tread movement and so limit the effects of heat to improve its retreadability.

MICHELIN® XHA 2® is up to 19%¹ cooler vs alternative producer 2



EXCELLENT LONGEVITY

+16% WEAR LIFE¹

Wear resistant rubber compound

More rubber to be worn² XHA 2® :
+ 9.5% volume of tread rubber
vs. alternative producer 1 and
+ 4.6% vs alternative producer 2

Optimized contact patch
with the ground



BETTER AGGRESSION RESISTANCE⁴

The Michelin tire is engineered with an architecture designed to absorb impact, minimizing damage, allowing your tire to continue working

MICHELIN® XHA 2® has more sidewall
puncture resistance than alternative
producer 1

¹ Measurement certified by the Michelin Center of Technology, conducted at the Mining Testing Center in Almeria, Spain, in July 2016. Thermal measurements taken using a thermal imaging camera. Comparison of MICHELIN® XHA 2® 26.5 R 25 against Alternative producer 1 & 2 26.5 R 25. All tires followed the same protocols and configuration (temperature, track), same number of tires tested. Test organized using a CAT 966 M, at 15km/h with 12000kg of load, at 4 bars pressure.

² Test certified by Michelin Center of Technology, conducted at the Mining Testing Center in Almeria, Spain, in July 2016. Comparison of MICHELIN® XHA 2® against alternative producer 1, same size. All tires followed the same protocols and configuration, same number of tires tested. Test organized using a CAT 966 M, at 15 km/h, with 12000 kg of load, at 4 bars pressure.

³ Compared to Premium competitors (alternative producer 1 & 2), field study in real life conditions made by Michelin for 5 years 2012-2017, on 170 tires in Eastern Europe, Western Europe, China and Asia South Pacific; same size (23.5 R 25 , 26.5 R 25 and 29.5 R 25) and same usage.

⁴ Measurement certified by the Michelin Center of Technology, using XAO software, comparison of MICHELIN® 26.5 R 25 XHA 2® against alternative producer 1, same tire size. All tires followed the same protocols and configuration, same number of tires tested. Test organized using a CAT 966 M, at 15 km/h, with 12000 kg of load, at 4 bars pressure.

MICHELIN XLD 65



**OPTIMIZE YOUR OPERATIONAL
COST THANKS TO AN
EXCEPTIONAL TIRE LIFE**



For Loaders and Graders



HIGHER FOOTPRINT

Up to 49% more tread rubber¹ to protect your tire and insure its retreadability

Better traction on mixed soil



HIGHER AIR VOLUME

Better comfort for the operator with up to 10% or more shock absorption²

Better flotation in soft soils



FITS ON A WIDER RIM

Same diameter as an 80 series tire +14% footprint surface and greater number of edges²

¹ Internal comparison between 875/65 R 29 XHA 2° and 29.5 R 25 XHA 2° +49% and +45% between a 775/65 R 29 XHA 2° and 26.5 R 25 XHA 2°, measurements certified by the Michelin® Center of Technology.

² Internal comparison between 875/65 R 29 XHA 2° and 29.5 R 25 XHA 2°, measurements certified by the Michelin® Center of Technology.

MICHELIN XLD D1



**IMPROVE YOUR SURFACE
LOADER PRODUCTIVITY
AND SPEED IN DIFFICULT
CONDITIONS**



For Loaders, Dozers and Graders



EXCEPTIONAL GRIP

Open tread design provides mud evacuation. Angled lugs provide longitudinal adhesion for more efficient loading at the face.



EXCEPTIONAL TIRE LIFE

*/** load and carry up to 14 KPH



GREAT PROTECTION

Reinforced belt package and customized compound dedicated to aggressive conditions

WHICH TIRE MEETS YOUR SURFACE LOADER NEEDS?

*** EXTRA LOAD LOWER SPEEDS LESS THAN 10KPH	*/** LOAD & CARRY UP TO 14KPH
MICHELIN® XTXL® 	MICHELIN® XLD® D1 

TIRE SIZES: 26.5R25, 29.5R25, 35/65R33

MICHELIN XTXL



**INCREASE YOUR
PRODUCTIVITY THANKS
TO BETTER TIRE LIFE AND
LOAD CAPACITY**



For Loaders and Underground Machines

For more detail regarding the tire usage in the Block Handling application, please refer to the section: "Help with the use of Earthmover tires."

COOLING SYSTEM

Sculpted shoulder blocks create an innovative cooling system



DESIGNED TO INCREASE TIRE LIFE BY UP TO **10%¹**

Large rubber volume distributed evenly over the whole sculpture

SIDEWALL PROTECTION

Reinforced sidewall, increases shock and abrasion resistance

Reinforced Steel Crown Belt Package for superior protection against punctures and impacts.



**UP TO 20%
INCREASED
RESISTANCE IN
AGGRESSIVE
CONDITIONS¹**



**UP TO 20%
INCREASED LOAD
CAPACITY¹**

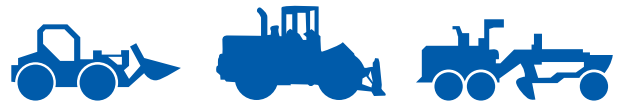
Allows greater inflation pressures and higher load capacity

¹ Internal comparison between Michelin® XTXL and Michelin® XLD® D1 of the same dimension. See Michelin Earthmover databook 2019.

MICHELIN XLD D2

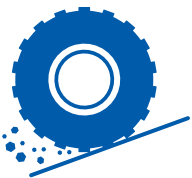


**IMPROVE YOUR SURFACE
LOADER PRODUCTIVITY
AND SPEED IN DIFFICULT
CONDITIONS**



For Loaders, Dozers and Graders

**INCREASE YOUR
PRODUCTIVITY WITH
OUTSTANDING TIRE WEAR
AND THE BEST GRIP,
PROTECTION FOR YOUR
FACE-WORKING LOADERS**



EXCEPTIONAL GRIP

Open tread design provides mud evacuation. Angled lugs provide longitudinal adhesion for more efficient loading at the face.



INCREASED LIFE

High tread depth 146 mm/116 32nd (L5) provides outstanding tire wear



GREAT PROTECTION

Reinforced belt package: Customized compound dedicated to aggressive conditions (compound A4)

TIRE SIZES: 45/65R39, 45/65R45

MICHELIN X TRA POWER L5



**TAKES ON FACEWORK
AT FULL POWER**



For Loaders/Wheeldozer



**MAXIMIZE
POWER,
MINIMIZE
RIM SLIP**

Redesigned bead optimizes transfer of torque



**INCREASE
LOAD-CARRYING
CAPACITY¹**

Carry 16%² more load due to increased *** rating



**GET MORE CROWN
PROTECTION²**

Designed with a reinforced steel crown belt package



**ELIMINATE LUG
CRACKING**

Designed with new bridges and curved sculpture

¹ Increase in Load Carrying Capacity Requires Speed Reduction.

² Reference Michelin® Technical Earthmover Data Book 2019. Internal comparison between Michelin® XLD® D2 35/65R33 and Michelin® X® TRA POWER™ L5 35/65R33.

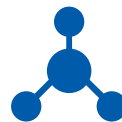
MICHELIN X MINE D2



**RESISTANCE,
TRACTION, ADHESION:
NO COMPROMISE!**



For Loaders, Skid-Steer Loaders, Forklifts,
Underground Haulers and Underground Loaders



**RESISTANCE,
TRACTION AND
ADHESION**

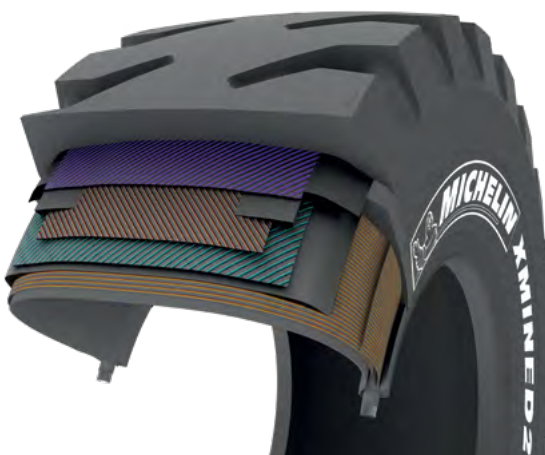
Optimized compound
slows tire wear



**IMPACT &
CUT RESISTANT**

Thanks to the optimized
compound, the reinforced
protection ply and the
tread depth

**REINFORCED
PROTECTION PLY**



**ADHESION &
TRACTION**

The shoulder groove creates
an optimized design for
traction and evacuation, with
a smooth central pattern for
adhesion and protection

TIRE SIZES: 7.50R15, 8.25R15, 10.00R15, 350/65R15, 14.4R15, 400/80R15,
9.00R20, 12.00R20, 14.00R20, 450/70R20, 12.00R24, 15.5R25, 16.00R25,
17.5R25, 18.00R25, 20.5R25, 23.5R25, 26.5R25, 29.5R25, 35/65R33

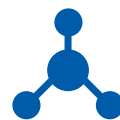
MICHELIN X MINE D2 L5 HR



**EXCELLENT PRODUCTIVITY
IN HARD LOADING
CONDITIONS**



For Loaders, Skid-Steer Loaders, Forklifts,
Underground Haulers and Underground loaders



OPTIMIZED COMPOUND

Built to withstand hard conditions and to slow tire wear



IMPACT & CUT RESISTANT

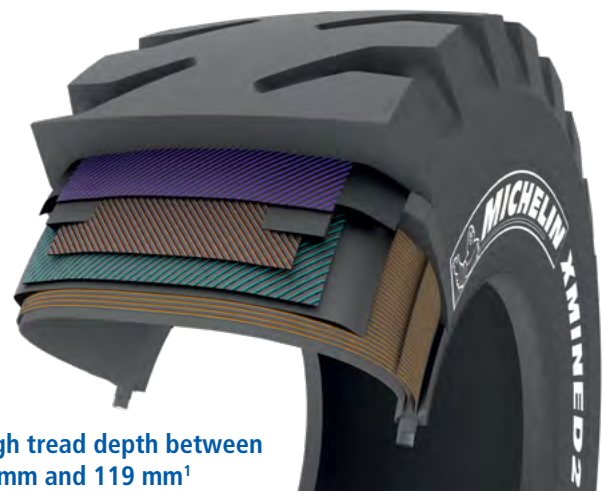
Due to the optimized compound, the tread design and the resilient casing

A RESILIENT CASING

Reinforced protection ply with several steel belts creates a tire that resists punctures

TIRE SIZES: 55/80R57, 60/80R57

¹ According to tire dimensions.



A high tread depth between
118 mm and 119 mm¹

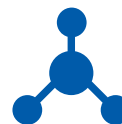
MICHELIN X MINE D2 L5 SR



**EXCELLENT PRODUCTIVITY
IN STANDARD LOADING
CONDITIONS**



For Loaders, Skid-Steer Loaders, Forklifts,
Underground Haulers and Underground loaders



OPTIMIZED COMPOUND

Built to withstand
standard conditions
and to slow tire wear



IMPACT & CUT RESISTANT

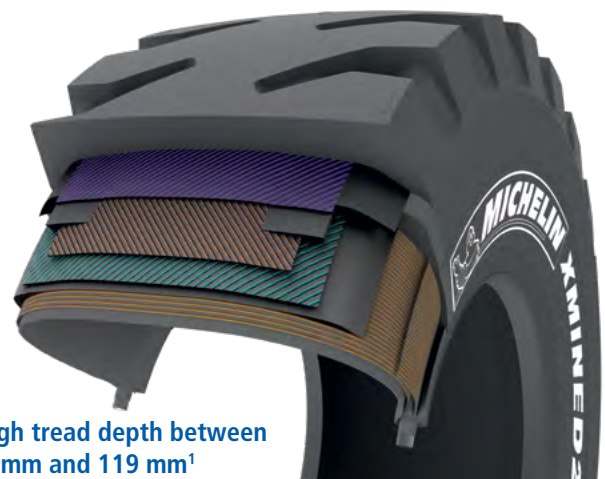
Due to the optimized
compound, the tread
design and the resilient
casing

A RESILIENT CASING

Reinforced protection ply with
steel belts constitute a tire that
resists to punctures

TIRE SIZES: 50/65R51, 55/80R57, 60/80R57

¹According to tire dimensions.



A high tread depth between
116 mm and 119 mm¹

MICHELIN X MINE D2 LC



**MOVE LONGER,
MOVE FASTER**



For Loaders, Skid-Steer Loaders, Forklifts,
Underground Haulers and Underground loaders

6 KM DISTANCE PER HOUR



**ROBUST TREAD
DESIGN**

**RESISTANCE
TO SHOCK
RUPTURES,
CUTS AND
TREAD TEARING**

Thanks to a substantial
crown, reinforced
shoulders and a
protection band

TIRE SIZES: 50/65R51



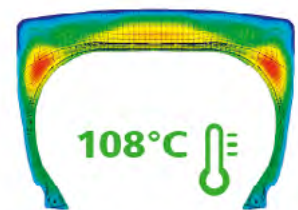
**INCREASE YOUR
PRODUCTIVITY**



The new MICHELIN® X MINE®
D2 LC tire's compound reduces
the temperature of the tire in
order to move longer and faster.



MICHELIN® X MINE® D2 SR
at 10 km distance per hour



MICHELIN® X MINE® D2 LC
at 10 km distance per hour

MICHELIN X MINE D2 L5



**EXCELLENT PRODUCTIVITY
IN AGGRESSIVE LOADING
CONDITIONS**



For Loaders, Skid-Steer Loaders, Forklifts,
Underground Haulers and Underground loaders



OPTIMIZED COMPOUND

Built to withstand hard conditions and to slow tire wear



IMPACT & CUT RESISTANT

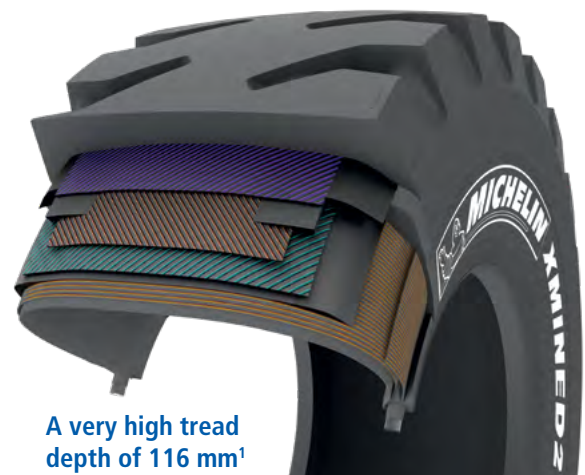
Thanks to the optimized compound, the tread design and the resilient casing

A RESILIENT CASING

Reinforced protection ply with several specific steel belts constitute a tire that is very resistant to punctures

TIRE SIZES: 45/65R39, 45/65R45

¹ According to tire dimensions



A very high tread depth of 116 mm¹

MICHELIN X MINE D2 EXTRA LOAD



**MORE LOAD¹,
A TOUGHER TIRE²**



For Quarry and Underground



**EXTRA
LOAD-CARRYING
CAPACITY**

(***TRA Load Range)
New bead area and stronger,
more robust architecture
increases load capacity by up
to 16%¹



**IMPROVED
TIRE LIFE**

When used at ** load, MICHELIN X Mine D2 Extra Load has improved aggression resistance², which results in more tire life



**INCREASED
SIDEWALL
PROTECTION²**

An innovative technology constituted by extra plies in the sidewall prevent rocks from penetrating the sidewall

¹ The new MICHELIN® 35/65R33 X MINE® D2 EXTRA LOAD *** tires increase the load capacity by 16% from 28,000kg to 32,500kg.⁽¹⁾

⁽¹⁾ Based on comparisons of the MICHELIN X MINE® D2 ** (2019 Michelin Data Book).

² The new MICHELIN® 35/65R33 X MINE® D2 EXTRA LOAD *** tires improve aggression resistance due to new cables and NRF technology (reinforced sidewall plies).⁽¹⁾

⁽¹⁾ Compared to MICHELIN X MINE® D2 ** tires. Actual results may vary.

MICHELIN XGLA2



**MAXIMIZE YOUR
GRADER TRACTION**



For Graders



EXCELLENT PRODUCTIVITY

Resistance to impacts and cuts resulting in less downtime



EXCELLENT TRACTION AND SIDE HILL GRIP

An aggressive tread pattern, formed from many non-directional blocks, provides a high traction capability on unstable and muddy soils

An important contribution of the tread pattern to avoid lateral slip



LOW OPERATING COST

Easy to repair

Long-lasting, even-wearing tread pattern and durable with low rolling resistance for efficient fuel economy

MICHELIN X UM HAUL



PRODUCTIVITY UNDER HEAVY HAULS



For Underground Haulers



THE MOST PRODUCTIVE TIRE ON THE MARKET^{1,2}

High load-carrying capacity and speed make it the most productive tire of its size on the market, with up to 360 TKPH



GAIN MORE DISTANCE IN AN HOUR

Cooler rubber compounds allow trucks to maintain an average max distance of 14 km/hr⁴ while carrying more



SUPERIOR ADHESION⁵ FOR BETTER GRIP

Center groove increases grip, and innovative tread pattern conquers underground mining operations

HANDLES HEAVY LOADS

Designed with new, bigger cables and innovative 6-ply architecture that let trucks get 8.6% more³ load capacity to carry up to 31.5 tons at 7 bar



¹ The new MICHELIN® 35/65R33 X® UM HAUL tire is the MOST PRODUCTIVE Underground TIRE ON THE MARKET for trucks greater than 60 tons of payload, with up to 360 TKPH.
² Based on comparisons to the 2021 Bridgestone Databook and the 2020 Goodyear Databook. Actual results may vary.
³ The new MICHELIN® 35/65R33 X® UM HAUL tire gets 8.6% more load capacity, to carry up to 31.5 tons at 7 BAR due to new cables, architecture and larger tire.
⁴ The new MICHELIN® 35/65R33 X® UM HAUL tire was designed to get 14 KM MAX DISTANCE PER HOUR thanks to a larger tire and cooler compound.
⁵ The new MICHELIN® 35/65R33 X® UM HAUL tire was designed for EXCELLENT ADHESION thanks to a new innovative tread pattern that increases grip.

MICHELIN X MINE D2 PRO



**IMPROVED AGGRESSION
RESISTANCE AND
REDUCTION IN
DOWNTIME IN THE MOST
EXTREME CONDITIONS**



For Loaders, Skid-Steer Loaders, Forklifts,
Underground Haulers and Underground loaders



**EXTREME
CONDITIONS
DEMAND TOUGH
TIRES**

**UP TO 18%
INCREASED LOAD
CAPACITY¹**



**IMPROVED
AGGRESSION
RESISTANCE²**

Due to new cables and
NRF technology

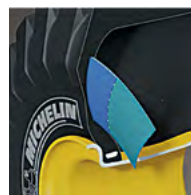
Two extra plies added to
tire construction which
contain crossed nylon cords
encased in rubber for greater
resistance and toughness

New cables in the working plies resist
aggression and protect against oxidation.



**IMPROVED
TIRE LIFE³**

In harsh conditions
thanks to optimized
tread compounds



TIRE SIZES: 17.5R25, 18.00R25, 20.5R25, 23.5R25, 26.5R25, 29.5R25, 29.5R29

¹ Based on comparisons of the MICHELIN® XSM® D2+ PRO and X MINE® D2 PRO to the MICHELIN® XSM® D2+ and MICHELIN® X MINE® D2, as set forth in the 2018 Michelin Data Book. Actual results may vary.

² Based on computer modeling comparisons of the MICHELIN® XSM® D2+ PRO and X MINE® D2 PRO tires compared to MICHELIN® XSM® D2+ and MICHELIN X MINE® D2 tires. Actual results may vary.

³ Based upon improved aggression resistance and on computer modeling comparing the tread compounds included in the MICHELIN® XSM® D2+ PRO to the MICHELIN® XSM® D2+. Actual results may vary.

MICHELIN XSM D2+LC



**MOVE FASTER,
MOVE LONGER**



For Loaders, Underground Loaders and Forklifts

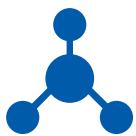
**DESIGNED TO INCREASE
YOUR SPEED
UP TO +50%
DISTANCE PER HOUR¹**

6 KM DISTANCE PER HOUR



**SPEED
INCREASE**

Move faster and get up to
+50% of distance per hour¹



**SPECIAL
CUT-RESISTANT
RUBBER COMPOUNDS**

Protection and aggression
resistance for most highly
abrasive and severe mining
conditions



**EXCEPTIONAL
PROTECTION**

Special cut-resistant
rubber compounds



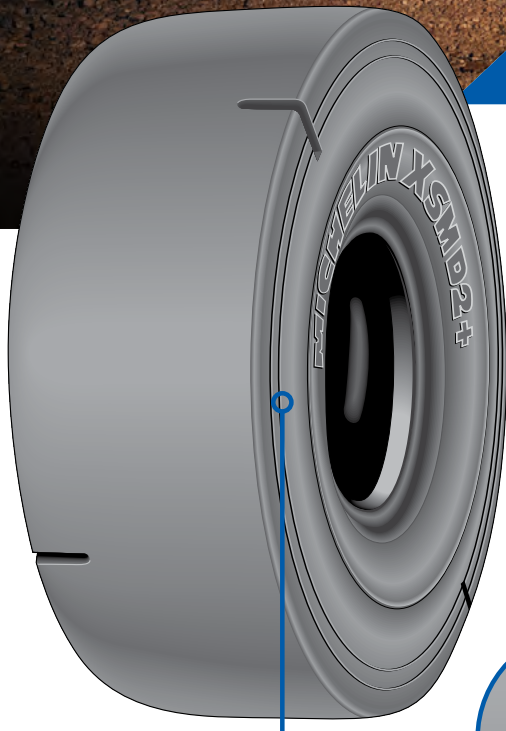
TIRE SIZES: 18.00R25

¹ Internal comparison between the MICHELIN® XSM® D2 + LC and the MICHELIN® XSM® D2 + PRO, see the Michelin Earthmover Databook 2019.

MICHELIN XSM D2+



**THE UNDERGROUND
MINING LOADER TIRE FOR
EXTREME CONDITIONS**

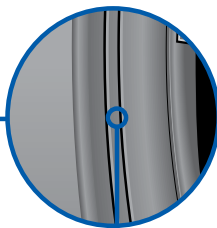


For Loaders, Underground Loaders and Forklifts



**SMOOTH, DEEP
TREAD OF 78 MM**

**REDUCE YOUR DOWNTIME
AND YOUR MAINTENANCE
COSTS IN THE MOST
EXTREME CONDITIONS**



**ROBUST SHOULDERS WITH
SIDEWALL PROTECTION**



**PROTECTED
CASING**

Resists damage from impacts and penetration



**EXCELLENT
ADHESION**

The smooth tread design gives an excellent level of adhesion in the most difficult conditions of use

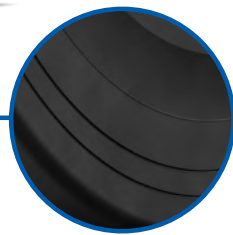
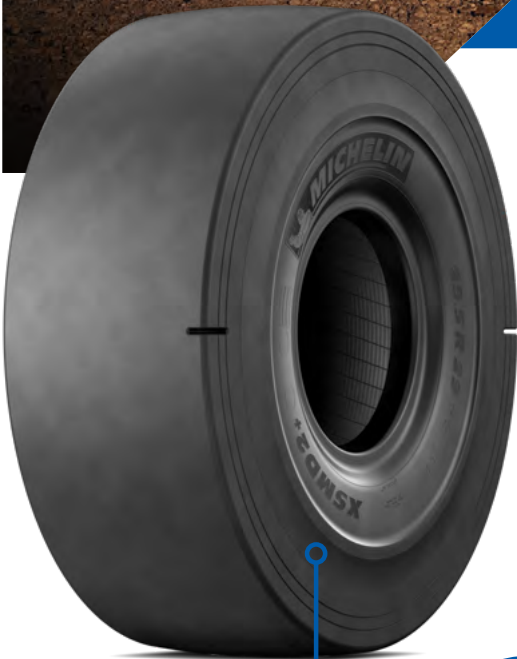


TIRE SIZES: 12.00R24, 14.00R24, 17.5R25, 18.00R25, 26.5R25, 35/65R33

MICHELIN XSM D2+ PRO



**EXTREME CONDITIONS
DEMAND TOUGH TIRES**



For Loaders, Underground Loaders and Forklifts



**INCREASE LOAD CAPACITY
BY UP TO 18%¹**



**IMPROVED AGGRESSION
RESISTANCE²**

Due to new cables
and NRF technology
(reinforced sidewall plies)²

NRF TECHNOLOGY

Reinforced sidewall plies



**IMPROVED
TIRE LIFE³**

In the harshest of conditions
thanks to optimized tread
compounds³

TIRE SIZES: 17.5R25, 18.00R25, 26.5R25, 29.5R29

¹ Based on comparisons of the MICHELIN® XSM® D2+ PRO and X MINE® D2 PRO to the MICHELIN® XSM® D2+ and MICHELIN® X MINE® D2, as set forth in the 2018 Michelin Data Book. Actual results may vary.

² Based on computer modeling comparisons of the MICHELIN® XSM® D2 + PRO and X MINE® D2 PRO tires compared to MICHELIN® XSM® D2+ and MICHELIN X MINE® D2 tires. Actual results may vary.

³ Based upon improved aggression resistance and on computer modeling comparing the tread compounds included in the MICHELIN® XSM® D2+ PRO to the MICHELIN® XSM® D2+. Actual results may vary.

MICHELIN XADN+ A & B4 COMPOUND*



**OPTIMIZE YOUR
OPERATIONAL COST
THANKS TO AN
EXCEPTIONAL TIRE LIFE**



For Articulated Dump Trucks and Scrapers



**+11% WEAR
LIFE¹**

The MICHELIN XADN+ lasts up to 11%¹ on average more hours compared to premium competitors

The B4 compound will improved the tread wear resistance on abrasive soil



**GOOD LONG-TERM
INVESTMENT**

Up to 81% of Michelin tires are retreadable due to Michelin's casing quality³



Multi-block tread pattern with shoulder made of alternating and multi-edged blocks

Summit designed to resist stresses when cornering



Excellent lateral grip on soft terrain due to self-cleaning tread pattern



EXCELLENT TRACTION

Maneuverability on soft or muddy soil with proven flotation and traction

**EXCELLENT TREAD WEAR RESISTANCE
THANKS TO NEW RUBBER COMPOUND²**

¹ Compared to premium competitors field study in real life conditions made by Michelin for 9 years 2008-2017, on 114 tires in Africa, India, Middle-East, Australia, Asia South Pacific and Europe ; same size (23.5 R 25, 26.5 R 25 and 29.5 R 25) and same usage.

² See the 2019 MICHELIN technical databook Earthmover Tires. Reference value got with A-type rubber compound. Possibility of extension based on the need to be validated through specific study, please consult your local Michelin Technical Representative.

³ Measurement on retreadable capability made by Pneus Laurent over 2 years (2015-2017), on 578 Michelin tires on the same dimension (26.5 R 25) in Europe.

*Please refer to the Earthmover Tire compounds section on page 147.

MICHELIN XAD 65



**TAILORED FOR YOUR
BOTTOM LINE IN ANY
WORKING CONDITIONS**



For Articulated Dump Trucks



Multi-block
tread pattern

Larger footprint
with lower ground
contact pressure,
better stability,
excellent mobility



Excellent lateral grip on
soft terrain due to self-
cleaning tread pattern



**HIGHER
LOAD CAPACITY**

Up to 1600kg/3527 lbs at
a lower pressure¹



**HIGHER
FOOTPRINT**

More tread rubber² to
protect your tire and
insure its retreadability

Better traction on
mixed soils

+26% footprint surface²



**HIGHER AIR²
VOLUME**

Better comfort for the
operator with up to
10% or more shock
absorption²

Better flotation in
soft soils

¹ Internal comparison between 875/65 R 29 XAD65 and 29.5 R 25 XADN+, measurements certified by the Michelin® Center of Technology.

² Internal comparison between 1376/363.5 (Liter/Gallon) of the 875/65 R 29 XAD65 and 1221/322.6 (Liter/Gallon) of the 29.5 R 25 XADN+, measurement certified by Michelin® Center of Technology.

MICHELIN XTRA DEFEND



BUILT TO RESIST



For Articulated Dump Trucks



**OUTSTANDING TIRE
LIFE AND EXCEPTIONAL
RESISTANCE TO
AGGRESSION**



**EXCELLENT
TIRE LIFE¹**

Deeper tread pattern and
more rubber to be worn¹



**BETTER AGGRESSION
RESISTANCE^{1,2}**

Protective shield on the crown
and sidewalls and more mass
metal on the summit



**EXCELLENT
TKPH**

TIRE SIZES: 750/65R25^{1,3}, 875/65R29^{1,3}, 23.5R25^{2,4,5}, 26.5R25^{2,4,5}, 29.5R25^{2,4,5}

¹ Internal comparison with MICHELIN® X®AD 65, same sizes

² Internal comparison with MICHELIN® X®-SUPER TERRAIN™+, see Michelin® Earthmover Data Book 2017.

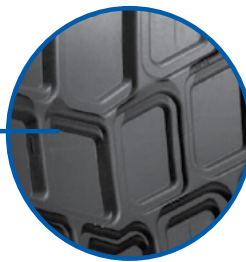
MICHELIN XS SAND



**TUBELESS RADIAL TIRE
FOR ADT AND SPECIAL
MACHINES WORKING
IN DEEP SAND**



For Articulated Dump Trucks



HIGH LEVEL OF MOBILITY

Wide tread

Greater ground contact area

Multi-facet tread pattern
with staggered tread blocks



HIGH PRODUCTIVITY

Strong, flexible radial casing

Heavy loads at low
inflation pressures

Optimized sidewall

Resistance to hot climatic
conditions and ultra
violet light



FLOTATION

Wide tread band and large
air volume

Optimized distribution of
ground pressure constraints

Low ground contact pressure

MICHELIN XTS



**FOR MEDIUM POWERED
SCRAPERS IN APPLICATIONS
REQUIRING MAXIMUM
TRACTION**



For Articulated Dump Trucks and Scrapers



**IMPROVED
DURABILITY**

**BETTER RESISTANCE
TO DAMAGE AND
ABRASION**

Square shoulders and
protective sidewall bands



**INCREASED
TRACTION
AND ADHESION**

**SELF CLEANING
TREAD PATTERN**

Open tread design with
widely spaced tread blocks



EXTENDED LIFE

IMPROVED WEAR RATE

Extra deep tread composed
of special new rubber compounds

MICHELIN XMS



**E3 RADIAL TIRE FOR LARGE
SCRAPERS DELIVERS EXCELLENT
TRACTION, SUPERIOR DAMAGE
RESISTANCE & A SMOOTH RIDE**



For Scrapers



MAXIMUM RESISTANCE

The square tread contour protects shoulders and sidewalls from damage



EXCELLENT LATERAL GRIP

The edges of the circumferential tread pattern offer exceptional lateral grip



OPTIMAL COMFORT

Staggered tread blocks provide excellent operator comfort



EXTENDED TIRE LIFE

The innovative tread design has a high lug-to-void ratio

MICHELIN XRS



**THE NON-DIRECTIONAL
E4R TIRE FOR HIGH POWERED
SCRAPERS IN HARSH
WORKING CONDITIONS**



For Scrapers



LONGEVITY

**A THICK,
TOUGH TREAD**

Additional volume of tread rubber available for wear



PRODUCTIVITY

Deep open tread pattern with staggered blocks



DAMAGE RESISTANCE

Better protection against cuts and side wall damage

MICHELIN X-CRANE + (M+S)



**LIFTING YOUR
PRODUCTIVITY
TO NEW HEIGHTS**



For Cranes



LOWER OPERATING COSTS

Wear life increased by up to 20%¹ thanks to a new, more resistant rubber compound in the tread



GREATER OPERATOR COMFORT AND RELIABILITY

Improvement in irregular wear patterns so that the crane generates fewer vibrations thanks to a more rigid rubber compound in the tread



LESS WASTE

More environmentally friendly because tires can be regrooved

Increased reliability due to better resistance of the cables, the C2 Technology and a longer-lasting bead area

¹ Internal comparison between the MICHELIN® X-CRANE® + and the MICHELIN® X-CRANE® or XGC® depending of the dimension, measurements certified by the Michelin® Center of Technology.

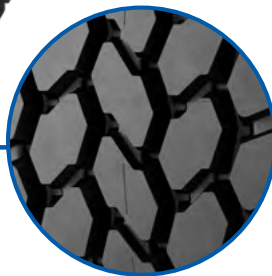
MICHELIN XGC



**HIGH SPEED RADIAL TIRE
FOR MOBILE CRANES
AND SPECIAL MACHINES**



For Mobile Cranes and Special Machines



HEAT RESISTANCE

Reinforced sidewalls
with bridging
rubber between
tread blocks



COMFORT

Reinforced sidewalls

Non-directional tread
with bridging rubber
between tread blocks



EXCELLENT LIFE

Versatile tread with
independent tread blocks

Regroovable

MICHELIN XMH S



**E2S RADIAL TIRE, FOR
LONG DISTANCE TRANSPORT
AT HIGH SPEEDS**



Special Vehicles



MORE PRODUCTIVITY¹

Optimized crown structure

Rubber compound & design
allowing long distance with
a high wear resistance

Massive tread

“Land to sea” ratio
increased

Improved wear form
(tread blocks) design



MORE COMFORT & TRACTION¹

Tread pattern with offset blocks
and progressive contact ground



MORE SAFETY FEATURES¹

Heavily blocked
tread pattern with
longitudinal &
lateral grooves

¹ Internal comparison between the MICHELIN® XMP 170 E and the MICHELIN® XMH S of the same dimension, measurements certified by the Michelin® Center of Technology.

MICHELIN X LISSE COMPACTEUR



**A SLICK RADIAL TIRE
FOR COMPACTORS**



For Compactor



Robust tread and shoulders give more resistance to cuts and perforations

MICHELIN® Radial structure improves tire life

No traces left because of the smooth tread pattern and rounded shoulders



EXCELLENT FINISHING

Even contact pressure throughout the contact area because of the Radial construction



REDUCTION IN MACHINE DOWNTIME

The specialized design of the crown gives excellent resistance to heat



REDUCTION IN OPERATING COST

Wear indicators in the tire tread facilitate tread wear assessment



MICHELIN TECHNICAL DATA

EARTHMOVER TIRES

TIRE CHARACTERISTICS

15"	<i>PAGE 62</i>
20"	<i>PAGE 64</i>
20.5"	<i>PAGE 66</i>
21"	<i>PAGE 66</i>
24"	<i>PAGE 67</i>
25"	<i>PAGE 71</i>
29"	<i>PAGE 102</i>
33"	<i>PAGE 106</i>
35"	<i>PAGE 114</i>
39"	<i>PAGE 117</i>
45"	<i>PAGE 118</i>
49"	<i>PAGE 119</i>
51"	<i>PAGE 122</i>
57"	<i>PAGE 125</i>
63"	<i>PAGE 131</i>

TIRE LOAD IN KG/LB – TIRE PRESSURE IN BAR/PSI

15"

COMMERCIAL DESCRIPTION	CAI MSPN	Max. dist./ hour km mile	TKPH ⁽¹⁾ TMPH	e mm inch	D mm inch	R' mm inch	RC mm inch	Tread depth mm 32rd	Dual Spacing mm inch	Cap. liter gallon	Measuring ^{(2) (3)} Recommended Rim	Other Approved ^{(2) (3)} Rims
X LISSE COMPACTEUR C1 7.50 R 15 Tube Type	123461 12568			198 7.8	770 30.3	338 13.3	2324 91.5	9 11.3		40 10.6	6.0	5.5 6.00S 6.5 B6.5

Bar	3	3.5	3.75	4	4.5	5	5.5	6	7	8
Psi	44	51	54	58	65	73	80	87	102	116

Machine - Use (kg - lbs)	COMPACTORS											
10 KM/H 6 MPH	1250 2756	1400 3087	1470 3241	1540 3396	1680 3704	1830 4035	1970 4344	2120 4675	2420 5336	2725 6009		
15 KM/H 9 MPH	1020 2249	1135 2503	1190 2624	1250 2756	1375 3032	1500 3308	1600 3528	1700 3749	1980 4366	2180 4807		

COMMERCIAL DESCRIPTION	CAI MSPN	Max. dist./ hour km mile	TKPH ⁽¹⁾ TMPH	e mm inch	D mm inch	R' mm inch	RC mm inch	Tread depth mm 32rd	Dual Spacing mm inch	Cap. liter gallon	Measuring ^{(2) (3)} Recommended Rim	Other Approved ^{(2) (3)} Rims
XMINE D2 L5 7.50 R 15 Tube Type	123342 23416	6 3.7		230 9.1	840 33.1	385 15.2	2551 100.4	46 58		39 10.3	6.0	5.5 6.00S 6.5 B6.5

Bar	3	3.5	3.75	4	4.5	5	5.5	6	7	8
Psi	44	51	54	58	65	73	80	87	102	116

Machine - Use (kg - lbs)	LOADERS											
FRONT LADEN	1850 4079	2000 4410	2075 4575	2150 4741	2250 4961	2400 5292	2500 5513	2650 5843	2900 6395	3150 6946		
REAR UNLADEN	1475 3252	1600 3528	1650 3638	1725 3804	1800 3969	1925 4245	2000 4410	2125 4686	2325 5127	2525 5568		

Machine - Use (kg - lbs)	UNDERGROUND MINE MACHINES											
ALL AXLES	1675 3693	1800 3969	1875 4134	1925 4245	2025 4465	2150 4741	2250 4961	2375 5237	2600 5733	2825 6229		

COMMERCIAL DESCRIPTION	CAI MSPN	Max. dist./ hour km mile	TKPH ⁽¹⁾ TMPH	e mm inch	D mm inch	R' mm inch	RC mm inch	Tread depth mm 32rd	Dual Spacing mm inch	Cap. liter gallon	Measuring ^{(2) (3)} Recommended Rim	Other Approved ^{(2) (3)} Rims
XMINE D2 L5 8.25 R 15 Tube Type	123352 22154	6 3.7		250 9.8	882 34.7	402 15.8	2680 105.5	48 60.5		47 12.4	6.5	6.0 7.0 B6.5

Bar	3	3.5	3.75	4	4.5	5	5.5	6	7	8
Psi	44	51	54	58	65	73	80	87	102	116

Machine - Use (kg - lbs)	LOADERS											
FRONT LADEN	2000 4410	2200 4851	2300 5072	2400 5292	2550 5623	2700 5954	2850 6284	3000 6615	3300 7277	3600 7938		
REAR UNLADEN	1600 3528	1750 3859	1850 4079	1925 4245	2050 4520	2150 4741	2275 5016	2400 5292	2650 5843	2875 6339		

Machine - Use (kg - lbs)	UNDERGROUND MINE MACHINES											
ALL AXLES	1800 3969	1975 4355	2075 4575	2150 4741	2300 5072	2425 5347	2575 5678	2700 5954	2975 6560	3250 7166		

COMMERCIAL DESCRIPTION	CAI MSPN	Max. dist./ hour km mile	TKPH ⁽¹⁾ TMPH	e mm inch	D mm inch	R' mm inch	RC mm inch	Tread depth mm 32rd	Dual Spacing mm inch	Cap. liter gallon	Measuring ^{(2) (3)} Recommended Rim	Other Approved ^{(2) (3)} Rims
XMINE D2 L5 10.00 R 15 Tube Type	123372 18686	6 3.7		295 11.6	910 35.8	411 16.2	2748 108.2	48 60.5		70 18.5	7.5	7.0

Bar	3	3.5	4	4.5	5	5.5	6	6.5	7	8
Psi	44	51	58	65	73	80	87	94	102	116

Machine - Use (kg - lbs)	LOADERS											
FRONT LADEN	2400 5292	2600 5733	2800 6174	3000 6615	3200 7056	3350 7387	3500 7718	3700 8159	3900 8600	4300 9482		
REAR UNLADEN	1925 4245	2075 4575	2250 4961	2400 5292	2550 5623	2675 5898	2800 6174	2965 6538	3125 6891	3450 7607		

Machine - Use (kg - lbs)	UNDERGROUND MINE MACHINES											
ALL AXLES	2150 4741	2350 5182	2525 5568	2700 5954	2875 6339	3025 6670	3150 6946	3325 7332	3500 7718	3875 8544		

TIRE LOAD IN KG/LB – TIRE PRESSURE IN BAR/PSI

COMMERCIAL DESCRIPTION	CAI MSPN	Max. dist./hour km mile	TKPH ⁽¹⁾ TMPH	e mm inch	D mm inch	R' mm inch	RC mm inch	Tread depth mm 32rd	Dual Spacing mm inch	Cap. liter gallon	Measuring ⁽²⁾⁽³⁾ Recommended Rim	Other Approved ⁽²⁾⁽³⁾ Rims
XMINE D2 L5 350/65 R 15 (32x14.5 R 15) Tubeless	826683 85701	6 3.7		348 13.7	844 33.2	379 14.9	2543 100.1	36 45.4		91 24	11.50	10.50
Bar	3	3.5		3.75	4	4.5		5	5.5	6	7	8
Psi	44	51		54	58	65		73	80	87	102	116
Machine - Use (kg - lbs)	LOADERS											
FRONT LADEN	2400 5292	2660 5865		2790 6152	2920 6439	3150 6946		3400 7497	3570 7872	3750 8269	4200 9261	4600 10143
REAR UNLADEN	1920 4234	2128 4692		2232 4922	2336 5151	2520 5557		2720 5998	2856 6297	3000 6615	3360 7409	3680 8114
Machine - Use (kg - lbs)	UNDERGROUND MINE MACHINES											
ALL AXLES	2160 4763	2394 5279		2511 5537	2628 5795	2835 6251		3060 6747	3213 7085	3375 7442	3780 8335	4140 9129

COMMERCIAL DESCRIPTION	CAI MSPN	Max. dist./hour km mile	TKPH ⁽¹⁾ TMPH	e mm inch	D mm inch	R' mm inch	RC mm inch	Tread depth mm 32rd	Dual Spacing mm inch	Cap. liter gallon	Measuring ⁽²⁾⁽³⁾ Recommended Rim	Other Approved ⁽²⁾⁽³⁾ Rims
XMINE D2 L5 14.5 R 15 Tubeless	123101 41368	6 3.7		380 15	894 35.2	408 16.1	2711 106.7	48 60.5		90 23.8	10.50	11.0 11.00BD 11.50
Bar	3	3.5		3.75	4	4.5		5	5.5	6	7	8
Psi	44	51		54	58	65		73	80	87	102	116
Machine - Use (kg - lbs)	LOADERS											
FRONT LADEN	2550 5623	2850 6284		2975 6560	3100 6836	3350 7387		3600 7938	3850 8489	4100 9041	4600 10143	5100 11246
REAR UNLADEN	2050 4520	2275 5016		2375 5237	2475 5457	2675 5898		2875 6339	3075 6780	3275 7221	3675 8103	4075 8985
Machine - Use (kg - lbs)	UNDERGROUND MINE MACHINES											
ALL AXLES	2300 5072	2575 5678		2675 5898	2800 6174	3025 6670		3250 7166	3475 7662	3700 8159	4150 9151	4600 10143

COMMERCIAL DESCRIPTION	CAI MSPN	Max. dist./hour km mile	TKPH ⁽¹⁾ TMPH	e mm inch	D mm inch	R' mm inch	RC mm inch	Tread depth mm 32rd	Dual Spacing mm inch	Cap. liter gallon	Measuring ⁽²⁾⁽³⁾ Recommended Rim	Other Approved ⁽²⁾⁽³⁾ Rims
XMINE D2 L5 400/80 R 15 (38x16 R 15) Tubeless	735466 41318	6 3.7		385 15.2	996 39.2	445 17.5	2996 118	34 42.8		128 33.8	11.50	
Bar	3	3.5		3.75	4	4.5		5	5.5	6	7	8
Psi	44	51		54	58	65		73	80	87	102	116
Machine - Use (kg - lbs)	LOADERS											
FRONT LADEN	3300 7277	3650 8048		3825 8434	4000 8820	4350 9592		4700 10364	5050 11135	5400 11907	6100 13451	6600 14553
REAR UNLADEN	2650 5843	2925 6450		3050 6725	3200 7056	3475 7662		3750 8269	4050 8930	4325 9537	4875 10749	5275 11631
Machine - Use (kg - lbs)	UNDERGROUND MINE MACHINES											
ALL AXLES	2975 6560	3275 7221		3450 7607	3600 7938	3900 8600		4225 9316	4550 10033	4850 10694	5500 12128	5950 13120

TIRE LOAD IN KG/LB – TIRE PRESSURE IN BAR/PSI

20"

COMMERCIAL DESCRIPTION	CAI MSPN	Max. dist./hour km mile	TKPH ⁽¹⁾ TMPH	e mm inch	D mm inch	R' mm inch	RC mm inch	Tread depth mm 32rd	Dual Spacing mm inch	Cap. liter gallon	Measuring ⁽²⁾⁽³⁾ Recommended Rim	Other Approved ⁽²⁾⁽³⁾ Rims
XMINE D2 L5R * 9.00 R 20 Tube Type	123382 09497	6 3.7		277 10.9	1054 41.5	484 19.1	3203 126.1	51 64.3		98 25.9	7.0	6.5 - B6.5 7.0T 7.33V 7.5 B 7.0 B7.5

Bar	3	4	5	6	7	8						
Psi	44	58	73	87	102	116						

Machine - Use (kg - lbs)	LOADERS											
FRONT LADEN	3000 6615	3400 7497	3800 8379	4200 9261	4600 10143	5000 11025						
REAR UNLADEN	2400 5292	2700 5954	3050 6725	3350 7387	3700 8159	4000 8820						

Machine - Use (kg - lbs)	UNDERGROUND MINE MACHINES											
ALL AXLES	2700 5954	3050 6725	3400 7497	3800 8379	4150 9151	4500 9923						

COMMERCIAL DESCRIPTION	CAI MSPN	Max. dist./hour km mile	TKPH ⁽¹⁾ TMPH	e mm inch	D mm inch	R' mm inch	RC mm inch	Tread depth mm 32rd	Dual Spacing mm inch	Cap. liter gallon	Measuring ⁽²⁾⁽³⁾ Recommended Rim	Other Approved ⁽²⁾⁽³⁾ Rims
XMINE D2 L5R 12.00 R 20 Tube Type	123392 19601	6 3.7		323 12.7	1174 46.2	534 21	3555 140	57 71.8		146 38.6	8.5	8.0 8.50V 8.5V 9.0 9.00V B 8.5

Bar	3	4	5	6	7	8						
Psi	44	58	73	87	102	116						

Machine - Use (kg - lbs)	LOADERS											
FRONT LADEN	3400 7497	4000 8820	4600 10143	5200 11466	5800 12789	6400 14112						
REAR UNLADEN	2700 5954	3200 7056	3700 8159	4150 9151	4650 10253	5100 11246						

Machine - Use (kg - lbs)	UNDERGROUND MINE MACHINES											
ALL AXLES	3050 6725	3600 7938	4150 9151	4700 10364	5200 11466	5750 12679						

COMMERCIAL DESCRIPTION	CAI MSPN	Max. dist./hour km mile	TKPH ⁽¹⁾ TMPH	e mm inch	D mm inch	R' mm inch	RC mm inch	Tread depth mm 32rd	Dual Spacing mm inch	Cap. liter gallon	Measuring ⁽²⁾⁽³⁾ Recommended Rim	Other Approved ⁽²⁾⁽³⁾ Rims
X LISSE COMPACTEUR C1 E20 PIL X L C 13/80 R 20 Tube Type	240750 6569			322 12.7	1050 41.3	470 18.5	3160 124.4	12 15.1		140 37	9.0	7.33V - 7.5 8.00V - 8.5 9.00V - 10.0 - 10.00V B 7.5 - 8.0 B8.0 - 8.0V B8.5 - 8.50V

Bar	3	4	5	6	7	8	8.5	9				
Psi	44	58	73	87	102	116	123	131				

Machine - Use (kg - lbs)	COMPACTORS											
10 KM/H 6 MPH	2520 5557	3100 6836	3660 8070	4260 9393	4840 10672	5420 11951	5710 12591	6000 13230				
15 KM/H 9 MPH	2240 4939	2760 6086	3260 7188	3790 8357	4310 9504	4820 10628	5000 11025					

TIRE LOAD IN KG/LB – TIRE PRESSURE IN BAR/PSI

COMMERCIAL DESCRIPTION	CAI MSPN	Max. dist./hour km mile	TKPH ⁽¹⁾ TMPH	e mm inch	D mm inch	R' mm inch	RC mm inch	Tread depth mm 32rd	Dual Spacing mm inch	Cap. liter gallon	Measuring ^{(2) (3)} Recommended Rim	Other Approved ^{(2) (3)} Rims
XMINE D2 L5R 14.00 R 20 Tubeless	372138 64715	6 3.7		368 14.5	1236 48.7	557 21.9	3745 147.4	48 60.5		175 46.2	10.0	10.00W
Bar	3	4		5	5.5	6	6.5	7		8	8.5	
Psi	44	58		73	80	87	94	102		116	123	
Machine - Use (kg - lbs) LOADERS												
FRONT LADEN	4140 9129	4920 10849		5690 12546	6070 13384	6460 14244	6850 15104	7230 15942		8010 17662		
REAR UNLADEN	2430 5358	3100 6836		3770 8313	4100 9041	4430 9768	4770 10518	5100 11246		5770 12723		
Machine - Use (kg - lbs) UNDERGROUND MINE MACHINES												
ALL AXLES	3480 7673	4200 9261		4920 10849	5280 11642	5640 12436	6000 13230	6360 14024		7070 15589	7793 17184	

COMMERCIAL DESCRIPTION	CAI MSPN	Max. dist./hour km mile	TKPH ⁽¹⁾ TMPH	e mm inch	D mm inch	R' mm inch	RC mm inch	Tread depth mm 32rd	Dual Spacing mm inch	Cap. liter gallon	Measuring ^{(2) (3)} Recommended Rim	Other Approved ^{(2) (3)} Rims
XZL E2 173G 16.00R20 Tubeless	123357 06306	70 43.5		438 17.2	1343 52.9	615 24.2	4080 160.6	27 34		315 83.2	10.00W	11.25
Bar	2	3		4	5	6	7	8		8.5	9	10
Psi	29	44		58	73	87	102	116		123	131	145
Machine - Use (kg - lbs) CRANES AND SIMILAR SPECIALIZED MACHINES												
0 KM/H	3580 7894	4830 10650		6125 13506	7390 16295	8660 19095	9900 21830	11200 24696		12075 26625	12950 28555	14700 32414
0 MPH												
5 KM/H	2850 6284	3950 8710		5000 11025	6100 13451	7200 15876	8100 17861	9250 20396		9825 21664	10400 22932	11550 25468
3 MPH												
10 KM/H	2750 6064	3750 8269		4750 10474	5750 12679	6700 14774	7600 16758	8700 19184		9125 20121	9550 21058	10600 23373
6 MPH												
20 KM/H	2500 5513	3250 7166		4250 9371	5000 11025	6000 13230	6860 15126	7600 16758		8075 17805	8550 18853	9500 20948
12 MPH												
30 KM/H	2250 4961	3000 6615		3750 8269	4500 9923	5250 11576	6000 13230	6860 15126		7225 15931	7590 16736	
19 MPH												
40 KM/H	2000 4410	2750 6064		3550 7828	4250 9371	5000 11025	5750 12679	6500 14333		6830 15060	7160 15788	
25 MPH												
50 KM/H	1950 4300	2700 5954		3500 7718	4200 9261	4900 10805	5700 12569	6350 14002		6725 14829	7100 15656	
31 MPH												
65 KM/H	1850 4079	2650 5843		3400 7497	4150 9151	4850 10694	5550 12238	6300 13892		6650 14663	7000 15435	
40 MPH												
80 KM/H	1800 3969	2600 5733		3350 7387	4100 9041	4800 10584	5500 12128	6250 13781		6550 14443	6850 15104	
50 MPH												
90 KM/H	1750 3859	2550 5623		3300 7277	4050 8930	4750 10474	5450 12017	6200 13671		6500 14333		
56 MPH												

COMMERCIAL DESCRIPTION	CAI MSPN	Max. dist./hour km mile	TKPH ⁽¹⁾ TMPH	e mm inch	D mm inch	R' mm inch	RC mm inch	Tread depth mm 32rd	Dual Spacing mm inch	Cap. liter gallon	Measuring ^{(2) (3)} Recommended Rim	Other Approved ^{(2) (3)} Rims
XMINE D2 L5 ** 450/70 R 20 Tubeless	976013 77552	8 5		433 17	1163 45.8	515 20.3	3488 137.3	37 46.6		229 60.5	15.00T	
Bar	5	5.5		6	6.5	7	7.25	7.5		7.75	8	8.25
Psi	73	80		87	94	102	105	109		112	116	120
Machine - Use (kg - lbs) LOADERS												
FRONT LADEN	6700 14774	7100 15656		7750 17089	8000 17640	8500 18743	8750 19294	9000 19845		9250 20396	9500 20948	9750 21499
REAR UNLADEN	5360 11819	5680 12524		6200 13671	6400 14112	6800 14994	7000 15435	7200 15876		7400 16317	7600 16758	7800 17199
Machine - Use (kg - lbs) UNDERGROUND TRANSPORT MACHINE												
ALL AXLES	6000 13230	6500 14333		6900 15215	7300 16097	7750 17089	8000 17640	8250 18191		8500 18743	8550 18853	8750 19294

TIRE LOAD IN KG/LB – TIRE PRESSURE IN BAR/PSI

20.5"

COMMERCIAL DESCRIPTION	CAI MSPN	Max. dist./ hour km mile	TKPH ⁽¹⁾ TMPH	e mm inch	D mm inch	R' mm inch	RC mm inch	Tread depth mm 32rd	Dual Spacing mm inch	Cap. liter gallon	Measuring ^{(2) (3)} Recommended Rim	Other Approved ^{(2) (3)} Rims
XS E7 173F 525/65 R 20.5 Tubeless ⁽⁹⁾	109421 25906			521 20.5	1200 47.2	548 21.6	3640 143.3	17 21.4		337 89	16.00	
Bar	1	2	3	4	5	6	7	8				
Psi	15	29	44	58	73	87	102	116				
Machine - Use (kg - lbs)	DESERT CONDITIONS 80 KM/H MAX.											
ROAD IN SINGLE	1450 3197	2150 4741	2850 6284	3600 7938	4300 9482	5000 11025	5750 12679	6500 14333				
TRACK IN SINGLE	1700 3749	2600 5733	3500 7718	4450 9812	5250 11576							
SAND IN SINGLE	2300 5072	3850 8489	5250 11576									

COMMERCIAL DESCRIPTION	CAI MSPN	Max. dist./ hour km mile	TKPH ⁽¹⁾ TMPH	e mm inch	D mm inch	R' mm inch	RC mm inch	Tread depth mm 32rd	Dual Spacing mm inch	Cap. liter gallon	Measuring ^{(2) (3)} Recommended Rim	Other Approved ^{(2) (3)} Rims
XS E7 176F 24 R 20.5 Tubeless ⁽⁹⁾	109174 23002			602 23.7	1374 54.1	620 24.4	4150 163.4	17 21.4		538 142.1	18.00	
Bar	1	2	2.5	3	3.5	4	4.5	5	5.5	6		
Psi	15	29	36	44	51	58	65	73	80	87		
Machine - Use (kg - lbs)	DESERT CONDITIONS 80 KM/H MAX.											
ROAD IN SINGLE	1950 4300	2950 6505	3450 7607	4000 8820	4500 9923	5010 11047	5520 12172	6050 13340	6575 14498	7100 15656		
TRACK IN SINGLE	2550 5623	3650 8048	4250 9371	4750 10474	5300 11687	5850 12899	6400 14112	6750 14884	7100 15656			
SAND IN SINGLE	3500 7718	5350 11797	6400 14112	7100 15656								

21"

COMMERCIAL DESCRIPTION	CAI MSPN	Max. dist./ hour km mile	TKPH ⁽¹⁾ TMPH	e mm inch	D mm inch	R' mm inch	RC mm inch	Tread depth mm 32rd	Dual Spacing mm inch	Cap. liter gallon	Measuring ^{(2) (3)} Recommended Rim	Other Approved ^{(2) (3)} Rims
XZL E2 176G 24 R 21 Tubeless ⁽⁹⁾	110257 76025			608 23.9	1388 54.6	631 24.8	4200 165.4				18.00/1.5	
Bar	1	2	2.5	3	3.5	4	4.5	5	5.5	6		
Psi	15	29	36	44	51	58	65	73	80	87		
Machine - Use (kg - lbs)	DESERT CONDITIONS 80 KM/H MAX.											
ROAD IN SINGLE	1950 4300	2950 6505	3450 7607	4000 8820	4500 9923	5010 11047	5520 12172	6050 13340	6575 14498	7100 15656		
TRACK IN SINGLE	2550 5623	3650 8048	4250 9371	4750 10474	5300 11687	5850 12899	6400 14112	6750 14884	7100 15656			
SAND IN SINGLE	3500 7718	5350 11797	6400 14112									

TIRE LOAD IN KG/LB – TIRE PRESSURE IN BAR/PSI

24"

COMMERCIAL DESCRIPTION	CAI MSPN	Max. dist./ hour km mile	TKPH ⁽¹⁾ TMPH	e mm inch	D mm inch	R' mm inch	RC mm inch	Tread depth mm 32rd	Dual Spacing mm inch	Cap. liter gallon	Measuring ^{(2) (3)} Recommended Rim	Other Approved ^{(2) (3)} Rims
XZH E3 *** 12.00 R 24 Tube Type	123369	35	119	321	1258	591	3857	30		171	8.5	7.33V
	72233	21.7	82	12.6	49.5	23.3	151.9	37.8		45.2		8.0
Bar	4	4.5	5	5.5	6	6.5	7	8	8.5			
Psi	58	65	73	80	87	94	102	116	123			
Machine - Use (kg - lbs)	TRANSPORT											
STANDARD	2700	2950	3200	3475	3750	4000	4250	4500	4650			
	5954	6505	7056	7662	8269	8820	9371	9923	10253			

COMMERCIAL DESCRIPTION	CAI MSPN	Max. dist./ hour km mile	TKPH ⁽¹⁾ TMPH	e mm inch	D mm inch	R' mm inch	RC mm inch	Tread depth mm 32rd	Dual Spacing mm inch	Cap. liter gallon	Measuring ^{(2) (3)} Recommended Rim	Other Approved ^{(2) (3)} Rims
XK A L3 *** 12.00 R 24 Tube Type	242110	14		330	1244	569	3775	21		155	8.5	7.33V
	06809	8.7		13	49	22.4	148.6	26.5		41		7.5
Bar	2	2.5	3	3.5	4	4.5	5	5.5	6	7		
Psi	29	36	44	51	58	65	73	80	87	102		
Machine - Use (kg - lbs)	UNDERGROUND MINE MACHINES											
ALL AXLES	2050	2450	2750	3100	3450	3800	4150	4475	4800	5500		
	4520	5402	6064	6836	7607	8379	9151	9867	10584	12128		

COMMERCIAL DESCRIPTION	CAI MSPN	Max. dist./ hour km mile	TKPH ⁽¹⁾ TMPH	e mm inch	D mm inch	R' mm inch	RC mm inch	Tread depth mm 32rd	Dual Spacing mm inch	Cap. liter gallon	Measuring ^{(2) (3)} Recommended Rim	Other Approved ^{(2) (3)} Rims
XMINE D2 L5R 12.00 R 24 Tubeless	242046	6		330	1280	594	3906	57		138	8.5	7.33V
	19455	3.7		13	50.4	23.4	153.8	71.8		36.5		7.5
Bar	2	2.5	3	3.5	4	4.5	5	5.5	6	7		
Psi	29	36	44	51	58	65	73	80	87	102		
Machine - Use (kg - lbs)	LOADERS											
FRONT LADEN	2300	2700	3050	3450	3850	4200	4600	4975	5350	6100		
	5072	5954	6725	7607	8489	9261	10143	10970	11797	13451		
REAR UNLADEN	1850	2150	2450	2750	3100	3350	3700	4000	4300	4900		
	4079	4741	5402	6064	6836	7387	8159	8820	9482	10805		
Machine - Use (kg - lbs)	UNDERGROUND MINE MACHINES											
ALL AXLES	2050	2450	2750	3100	3450	3800	4150	4475	4800	5500		
	4520	5402	6064	6836	7607	8379	9151	9867	10584	12128		

COMMERCIAL DESCRIPTION	CAI MSPN	Max. dist./ hour km mile	TKPH ⁽¹⁾ TMPH	e mm inch	D mm inch	R' mm inch	RC mm inch	Tread depth mm 32rd	Dual Spacing mm inch	Cap. liter gallon	Measuring ^{(2) (3)} Recommended Rim	Other Approved ^{(2) (3)} Rims
XSM D2+ L5S 12.00 R 24 Tubeless	123647	4		325	1264	580	3840	57		140	8.5	7.33V
	80803	2.5		12.8	49.8	22.8	151.2	71.8		37		7.5
Bar	2	2.5	3	3.5	4	4.5	5	5.5	6	7		
Psi	29	36	44	51	58	65	73	80	87	102		
Machine - Use (kg - lbs)	LOADERS											
FRONT LADEN	2300	2700	3050	3450	3850	4200	4600	4975	5350	6100		
	5072	5954	6725	7607	8489	9261	10143	10970	11797	13451		
REAR UNLADEN	1850	2150	2450	2750	3100	3350	3700	4000	4300	4900		
	4079	4741	5402	6064	6836	7387	8159	8820	9482	10805		
Machine - Use (kg - lbs)	UNDERGROUND MINE MACHINES											
ALL AXLES	2050	2450	2750	3100	3450	3800	4150	4475	4800	5500		
	4520	5402	6064	6836	7607	8379	9151	9867	10584	12128		

TIRE LOAD IN KG/LB – TIRE PRESSURE IN BAR/PSI

COMMERCIAL DESCRIPTION	CAI MSPN	Max. dist./hour km mile	TKPH ⁽¹⁾ TMPH	e mm inch	D mm inch	R' mm inch	RC mm inch	Tread depth mm 32rd	Dual Spacing mm inch	Cap. liter gallon	Measuring ^{(2) (3)} Recommended Rim	Other Approved ^{(2) (3)} Rims
XGL A2 L2 * TG 13.00 R 24 Tubeless (6 - 10)	123386 24704	16 9.9		335 13.2	1296 51	570 22.4	3875 152.6	25 31.5		215 56.8	8.00 TG SDC	10.00 VA SDC 9.00/1.5 DC

Bar	2	2.5	3	3.5	4	4.5	5					
Psi	29	36	44	51	58	65	73					

Machine - Use (kg - lbs)	LOADERS											
FRONT LADEN	2650 5843	3100 6836	3600 7938	4050 8930	4500 9923	4950 10915	5400 11907					
REAR UNLADEN	2100 4631	2500 5513	2900 6395	3250 7166	3600 7938	3950 8710	4300 9482					

Machine - Use (kg - lbs)	GRADERS											
ALL AXLES	1900 4190	2225 4906	2550 5623	2900 6395								

COMMERCIAL DESCRIPTION	CAI MSPN	Max. dist./hour km mile	TKPH ⁽¹⁾ TMPH	e mm inch	D mm inch	R' mm inch	RC mm inch	Tread depth mm 32rd	Dual Spacing mm inch	Cap. liter gallon	Measuring ^{(2) (3)} Recommended Rim	Other Approved ^{(2) (3)} Rims
XK A E3 *** 14.00 R 24 Tube Type	251590 06866	14 8.7		401 15.8	1380 54.3	638 25.1	4205 165.6	24 30.2		270 71.3	10.0	10.00W 9.0 9.00V

Bar	2	2.5	3	3.5	4	4.5	5	5.5	6	7		
Psi	29	36	44	51	58	65	73	80	87	102		

Machine - Use (kg - lbs)	UNDERGROUND MINE MACHINES											
ALL AXLES	2950 6505	3400 7497	3850 8489	4300 9482	4800 10584	5300 11687	5750 12679	6200 13671	6550 14443	7250 15986		

Bar	4	5	5.5	6	6.5	7	8					
Psi	58	73	80	87	94	102	116					

Machine - Use (kg - lbs)	TRANSPORT											
STANDARD	3750 8269	4500 9923	4850 10694	5600 12348	5700 12569	5800 12789	6150 13561					

COMMERCIAL DESCRIPTION	CAI MSPN	Max. dist./hour km mile	TKPH ⁽¹⁾ TMPH	e mm inch	D mm inch	R' mm inch	RC mm inch	Tread depth mm 32rd	Dual Spacing mm inch	Cap. liter gallon	Measuring ^{(2) (3)} Recommended Rim	Other Approved ^{(2) (3)} Rims
XK D1 A E4 *** 14.00 R 24 Tube Type	251592 06874	18 11.2	84 58	401 15.8	1412 55.6	657 25.9	4313 169.8	37 46.6		270 71.3	10.0	10.00W 9.0 9.00V

Bar	2	2.5	3	3.5	4	4.5	5	5.5	6	7		
Psi	29	36	44	51	58	65	73	80	87	102		

Machine - Use (kg - lbs)	UNDERGROUND MINE MACHINES											
ALL AXLES	2950 6505	3400 7497	3850 8489	4300 9482	4800 10584	5300 11687	5750 12679	6200 13671	6550 14443	7250 15986		

Bar	4	5	5.5	6	6.5	7	8					
Psi	58	73	80	87	94	102	116					

Machine - Use (kg - lbs)	TRANSPORT											
STANDARD	3750 8269	4500 9923	4850 10694	5600 12348	5700 12569	5800 12789	6150 13561					

COMMERCIAL DESCRIPTION	CAI MSPN	Max. dist./hour km mile	TKPH ⁽¹⁾ TMPH	e mm inch	D mm inch	R' mm inch	RC mm inch	Tread depth mm 32rd	Dual Spacing mm inch	Cap. liter gallon	Measuring ^{(2) (3)} Recommended Rim	Other Approved ^{(2) (3)} Rims
XSM D2+ L5S 14.00 R 24 Tubeless	123597 80802	4 2.5		401 15.8	1395 54.9	636 25	4227 166.4	58 73.1		266 70.3	10.0	10.00W 9.0 9.00V

Bar	2	2.5	3	3.5	4	4.5	5	5.5	6	7		
Psi	29	36	44	51	58	65	73	80	87	102		

Machine - Use (kg - lbs)	LOADERS											
FRONT LADEN	3250 7166	3750 8269	4300 9482	4800 10584	5350 11797	5900 13010	6400 14112	6900 15215				
REAR UNLADEN	2600 5733	3000 6615	3450 7607	3850 8489	4300 9482	4700 10364	5100 11246	5500 12128				

Machine - Use (kg - lbs)	UNDERGROUND MINE MACHINES											
ALL AXLES	2950 6505	3400 7497	3850 8489	4300 9482	4800 10584	5300 11687	5750 12679	6200 13671	6550 14443	7250 15986		

TIRE LOAD IN KG/LB – TIRE PRESSURE IN BAR/PSI

COMMERCIAL DESCRIPTION	CAI MSPN	Max. dist./hour km mile	TKPH ⁽¹⁾ TMPH	e mm inch	D mm inch	R' mm inch	RC mm inch	Tread depth mm 32rd	Dual Spacing mm inch	Cap. liter gallon	Measuring ⁽²⁾⁽³⁾ Recommended Rim	Other Approved ⁽²⁾⁽³⁾ Rims
XSNPLUS L2 * TG 14.00 R 24 TG Tubeless ⁽⁶⁾	123861 53173	16 9.9		372 14.6	1364 53.7	545 21.5	3941 155.2	24 30.2		264 69.7	8.00 TG SDC	10.00VA SDC 9.00/1.5 DC
Bar	2	2.5		3	3.5	4	4.5	5		5.5		
Psi	29	36		44	51	58	65	73		80		
Machine - Use (kg - lbs)	LOADERS											
FRONT LADEN	3250 7166	3750 8269		4300 9482	4800 10584	5350 11797	5900 13010	6400 14112		6900 15215		
REAR UNLADEN	2600 5733	3000 6615		3450 7607	3850 8489	4300 9482	4700 10364	5100 11246		5500 12128		
Machine - Use (kg - lbs)	GRADERS											
ALL AXLES	2300 5072	2725 6009		3125 6891	3550 7828							

COMMERCIAL DESCRIPTION	CAI MSPN	Max. dist./hour km mile	TKPH ⁽¹⁾ TMPH	e mm inch	D mm inch	R' mm inch	RC mm inch	Tread depth mm 32rd	Dual Spacing mm inch	Cap. liter gallon	Measuring ⁽²⁾⁽³⁾ Recommended Rim	Other Approved ⁽²⁾⁽³⁾ Rims
XGL A2 L2 * TG 14.00 R 24 TG Tubeless ⁽⁶⁾	123395 15924	16 9.9		371 14.6	1360 53.5	592 23.3	4051 159.5	25 31.5		310 81.9	8.00 TG SDC	10.00VA SDC 9.00/1.5 DC
Bar	2	2.5		3	3.5	4	4.5	5		5.5		
Psi	29	36		44	51	58	65	73		80		
Machine - Use (kg - lbs)	LOADERS											
FRONT LADEN	3250 7166	3750 8269		4300 9482	4800 10584	5350 11797	5900 13010	6400 14112		6900 15215		
REAR UNLADEN	2600 5733	3000 6615		3450 7607	3850 8489	4300 9482	4700 10364	5100 11246		5500 12128		
Machine - Use (kg - lbs)	GRADERS											
ALL AXLES	2300 5072	2725 6009		3125 6891	3550 7828							

COMMERCIAL DESCRIPTION	CAI MSPN	Max. dist./hour km mile	TKPH ⁽¹⁾ TMPH	e mm inch	D mm inch	R' mm inch	RC mm inch	Tread depth mm 32rd	Dual Spacing mm inch	Cap. liter gallon	Measuring ⁽²⁾⁽³⁾ Recommended Rim	Other Approved ⁽²⁾⁽³⁾ Rims
X LISSE COMPACTEUR C1 15.00 R 24 Pil (17/80 R 24) Tube Type	252211 44438			415 16.3	1334 52.5	592 23.3	4002 157.6	21 26.5		320 84.5	10.0	10.00W 10.0W 9.0 9.00V
Bar	3	4		5	6	6.5	7	7.5		8	8.5	
Psi	44	58		73	87	94	102	109		116	123	
Machine - Use (kg - lbs)	COMPACTORS											
10 KM/H 6 MPH	5320 11731	6540 14421		7750 17089	8965 19768	9570 21102	10180 22447	10790 23792		11390 25115	12000 26460	
15 KM/H 9 MPH	4740 10452	5820 12833		6900 15215	7980 17596	8520 18787						

COMMERCIAL DESCRIPTION	CAI MSPN	Max. dist./hour km mile	TKPH ⁽¹⁾ TMPH	e mm inch	D mm inch	R' mm inch	RC mm inch	Tread depth mm 32rd	Dual Spacing mm inch	Cap. liter gallon	Measuring ⁽²⁾⁽³⁾ Recommended Rim	Other Approved ⁽²⁾⁽³⁾ Rims
XGL A2 L2 * TG 16.00 R 24 Tubeless ⁽⁶⁾	123903 45611	16 9.9		435 17.1	1500 59.1	646 25.4	4451 175.2	27 34		412 108.9	10.00 VA SDC	
Bar	2	2.5		3	3.5	4	4.5	5				
Psi	29	36		44	51	58	65	73				
Machine - Use (kg - lbs)	LOADERS											
FRONT LADEN	4500 9923	5150 11356		5800 12789	6400 14112	7050 15545	7700 16979	8350 18412				
REAR UNLADEN	3600 7938	4100 9041		4650 10253	5100 11246	5650 12458	6150 13561	6700 14774				
Machine - Use (kg - lbs)	GRADERS											
ALL AXLES	3150 6946	3625 7993		4125 9096	4625 10198							

TIRE LOAD IN KG/LB – TIRE PRESSURE IN BAR/PSI

COMMERCIAL DESCRIPTION	CAI MSPN	Max. dist./hour km mile	TKPH ⁽¹⁾ TMPH	e mm inch	D mm inch	R' mm inch	RC mm inch	Tread depth mm 32rd	Dual Spacing mm inch	Cap. liter gallon	Measuring ^{(2) (3)} Recommended Rim	Other Approved ^{(2) (3)} Rims
XSNOPLUS 170E 385/95 R 24 Tube Type	432272 36887	70 43.5		386 15.2	1358 53.5	635 25	4156 163.6	24 30.2		283 74.8	10.00W	10.0
Bar	5	6	7	8	9							
Psi	73	87	102	116	131							
Machine - Use (kg - lbs) CRANES AND SIMILAR SPECIALIZED MACHINES												
30 KM/H 19 MPH	4860 10716	5880 12965	6460 14244	7000 15435	7800 17199							
40 KM/H 25 MPH	4635 10220	5610 12370	6165 13594	6675 14718	7450 16427							
50 KM/H 31 MPH	4410 9724	5340 11775	5865 12932	6355 14013	7100 15656							
60 KM/H 37 MPH	4190 9239	5070 11179	5565 12271	6030 13296	6720 14818							
65 KM/H 40 MPH	4020 8864	4865 10727	5345 11786	5790 12767	6450 14222							
70 KM/H 43 MPH	3740 8247	4525 9978	4970 10959	5385 11874	6000 13230							
80 KM/H 50 MPH	3086 6805	3735 8236	4100 9041	4445 9801	4950 10915							
90 KM/H 56 MPH	2620 5777	3170 6990	3480 7673	3770 8313	4200 9261							
100 KM/H 62 MPH	2245 4950	2715 5987	2980 6571	3230 7122	3600 7938							

COMMERCIAL DESCRIPTION	CAI MSPN	Max. dist./hour km mile	TKPH ⁽¹⁾ TMPH	e mm inch	D mm inch	R' mm inch	RC mm inch	Tread depth mm 32rd	Dual Spacing mm inch	Cap. liter gallon	Measuring ^{(2) (3)} Recommended Rim	Other Approved ^{(2) (3)} Rims
XMH S E2T 170E 385/95 R 24 Tube Type	957157 12407	70 43.5		389 15.3	1361 53.6	632 24.9	4155 163.6	24 30.2		284 75	10.00W	10.0/2.0 9.0 9.00V
Bar	5	6	7	8	9							
Psi	73	87	102	116	131							
Machine - Use (kg - lbs) CRANES AND SIMILAR SPECIALIZED MACHINES												
30 KM/H 19 MPH	4860 10716	5880 12965	6460 14244	7000 15435	7800 17199							
40 KM/H 25 MPH	4635 10220	5610 12370	6165 13594	6675 14718	7450 16427							
50 KM/H 31 MPH	4410 9724	5340 11775	5865 12932	6355 14013	7100 15656							
60 KM/H 37 MPH	4190 9239	5070 11179	5565 12271	6030 13296	6720 14818							
65 KM/H 40 MPH	4020 8864	4865 10727	5345 11786	5790 12767	6450 14222							
70 KM/H 43 MPH	3740 8247	4525 9978	4970 10959	5385 11874	6000 13230							
80 KM/H 50 MPH	3086 6805	3735 8236	4100 9041	4445 9801	4950 10915							
90 KM/H 56 MPH	2620 5777	3170 6990	3480 7673	3770 8313	4200 9261							
100 KM/H 62 MPH	2245 4950	2715 5987	2980 6571	3230 7122	3600 7938							

TIRE LOAD IN KG/LB – TIRE PRESSURE IN BAR/PSI

COMMERCIAL DESCRIPTION	CAI MSPN	Max. dist./hour km mile	TKPH ⁽¹⁾ TMPH	e mm inch	D mm inch	R' mm inch	RC mm inch	Tread depth mm 32rd	Dual Spacing mm inch	Cap. liter gallon	Measuring ⁽²⁾⁽³⁾ Recommended Rim	Other Approved ⁽²⁾⁽³⁾ Rims
X-CRANE 170F 385/95 R 24 Tube Type	778245 93770	80 49.7		376 14.8	1361 53.6	631 24.8	4153 163.5	23 29		284 75	10.00W	10.0 11.25/1.3
Bar	5	6	7	8	9							
Psi	73	87	102	116	131							
Machine - Use (kg - lbs) CRANES AND SIMILAR SPECIALIZED MACHINES												
30 KM/H 19 MPH	4750 10474	5440 11995		6125 13506	6815 15027	7500 16538						
40 KM/H 25 MPH	4370 9636	5005 11036		5635 12425	6270 13825	6900 15215						
50 KM/H 31 MPH	4255 9382	4870 10738		5490 12105	6105 13462	6720 14818						
60 KM/H 37 MPH	4180 9217	4785 10551		5390 11885	5995 13219	6600 14553						
65 KM/H 40 MPH	4085 9007	4675 10308		5270 11620	5860 12921	6450 14222						
70 KM/H 43 MPH	3990 8798	4570 10077		5145 11345	5725 12624	6300 13892						
80 KM/H 50 MPH	3800 8379	4350 9592		4900 10805	5450 12017	6000 13230						
90 KM/H 56 MPH	3570 7872	4090 9018		4605 10154	5120 11290	5640 12436						
100 KM/H 62 MPH	3230 7122	3700 8159		4165 9184	4630 10209	5100 11246						

25"

COMMERCIAL DESCRIPTION	CAI MSPN	Max. dist./hour km mile	TKPH ⁽¹⁾ TMPH	e mm inch	D mm inch	R' mm inch	RC mm inch	Tread depth mm 32rd	Dual Spacing mm inch	Cap. liter gallon	Measuring ⁽²⁾⁽³⁾ Recommended Rim	Other Approved ⁽²⁾⁽³⁾ Rims
XH D1 A E4 *** 14.00 R 25 Tubeless	123331 34504	22 13.7	102 70	401 15.8	1410 55.5	650 25.6	4291 168.9	38 47.9		275 72.7	10.00/1.5	11.25/1.3
Bar	4	4.5	5	5.5	5.75	6	7	8.5				
Psi	58	65	73	80	83	87	102	123				
Machine - Use (kg - lbs) TRANSPORT												
STANDARD	3750 8269	4100 9041		4500 9923	4850 10694	5100 11246	5250 11576	5800 12789	6350 14002			

COMMERCIAL DESCRIPTION	CAI MSPN	Max. dist./hour km mile	TKPH ⁽¹⁾ TMPH	e mm inch	D mm inch	R' mm inch	RC mm inch	Tread depth mm 32rd	Dual Spacing mm inch	Cap. liter gallon	Measuring ⁽²⁾⁽³⁾ Recommended Rim	Other Approved ⁽²⁾⁽³⁾ Rims
XSNOPLUS E2 170E 385/95 R 25 Tubeless	705961 5893	70 43.5		388 15.3	1365 53.7	632 24.9	4163 163.9	25 31.5		280 74	9.50/1.7 CR	10.00/1.5 11.25/1.3
Bar	5	6	7	8	9							
Psi	73	87	102	116	131							
Machine - Use (kg - lbs) CRANES AND SIMILAR SPECIALIZED MACHINES												
30 KM/H 19 MPH	4860 10716	5880 12965		6460 14244	7000 15435	7800 17199						
40 KM/H 25 MPH	4635 10220	5610 12370		6165 13594	6675 14718	7450 16427						
50 KM/H 31 MPH	4410 9724	5340 11775		5865 12932	6355 14013	7100 15656						
60 KM/H 37 MPH	4190 9239	5070 11179		5565 12271	6030 13296	6720 14818						
65 KM/H 40 MPH	4020 8864	4865 10727		5345 11786	5790 12767	6450 14222						
70 KM/H 43 MPH	3740 8247	4525 9978		4970 10959	5385 11874	6000 13230						
80 KM/H 50 MPH	3086 6805	3735 8236		4100 9041	4445 9801	4950 10915						
90 KM/H 56 MPH	2620 5777	3170 6990		3480 7673	3770 8313	4200 9261						
100 KM/H 62 MPH	2245 4950	2715 5987		2980 6571	3230 7122	3600 7938						

TIRE LOAD IN KG/LB – TIRE PRESSURE IN BAR/PSI

COMMERCIAL DESCRIPTION	CAI MSPN	Max. dist./hour km mile	TKPH ⁽¹⁾ TMPH	e mm inch	D mm inch	R' mm inch	RC mm inch	Tread depth mm 32rd	Dual Spacing mm inch	Cap. liter gallon	Measuring ⁽²⁾ (3) Recommended Rim	Other Approved ⁽²⁾ (3) Rims
XMH S 170E 385/95 R 25 Tubeless	254174 21608	70 43.5		391 15.4	1361 53.6	632 24.9	4155 163.6	24 30.2		278 73.4	9.50/1.7 CR	10.00/1.5 11.25/1.3
Bar	5	6		7	8	9						
Psi	73	87		102	116	131						
Machine - Use (kg - lbs) CRANES AND SIMILAR SPECIALIZED MACHINES												
30 KM/H	4860	5880		6460	7000	7800						
19 MPH	10716	12965		14244	15435	17199						
40 KM/H	4635	5610		6165	6675	7450						
25 MPH	10220	12370		13594	14718	16427						
50 KM/H	4410	5340		5865	6355	7100						
31 MPH	9724	11775		12932	14013	15656						
60 KM/H	4190	5070		5565	6030	6720						
37 MPH	9239	11179		12271	13296	14818						
65 KM/H	4020	4865		5345	5790	6450						
40 MPH	8864	10727		11786	12767	14222						
70 KM/H	3740	4525		4970	5385	6000						
43 MPH	8247	9978		10959	11874	13230						
80 KM/H	3086	3735		4100	4445	4950						
50 MPH	6805	8236		9041	9801	10915						
90 KM/H	2620	3170		3480	3770	4200						
56 MPH	5777	6990		7673	8313	9261						
100 KM/H	2245	2715		2980	3230	3600						
62 MPH	4950	5987		6571	7122	7938						

COMMERCIAL DESCRIPTION	CAI MSPN	Max. dist./hour km mile	TKPH ⁽¹⁾ TMPH	e mm inch	D mm inch	R' mm inch	RC mm inch	Tread depth mm 32rd	Dual Spacing mm inch	Cap. liter gallon	Measuring ⁽²⁾ (3) Recommended Rim	Other Approved ⁽²⁾ (3) Rims
X-CRANE + 170F 385/95 R 25 Tubeless	682834 32768	80 49.7		380 15	1365 53.7	633 24.9	4165 164	23 29		280 74	9.50/1.7 CR	10.00/1.5 11.25/1.3
Bar	5	6		7	8	9						
Psi	73	87		102	116	131						
Machine - Use (kg - lbs) CRANES AND SIMILAR SPECIALIZED MACHINES												
30 KM/H	4750	5440		6125	6815	7500						
19 MPH	10474	11995		13506	15027	16538						
40 KM/H	4370	5005		5635	6270	6900						
25 MPH	9636	11036		12425	13825	15215						
50 KM/H	4255	4870		5490	6105	6720						
31 MPH	9382	10738		12105	13462	14818						
60 KM/H	4180	4785		5390	5995	6600						
37 MPH	9217	10551		11885	13219	14553						
65 KM/H	4085	4575		5270	5860	6450						
40 MPH	9007	10088		11620	12921	14222						
70 KM/H	3990	4570		5145	5725	6300						
43 MPH	8798	10077		11345	12624	13892						
80 KM/H	3800	4350		4900	5450	6000						
50 MPH	8379	9592		10805	12017	13230						
90 KM/H	3570	4090		4605	5120	5640						
56 MPH	7872	9018		10154	11290	12436						
100 KM/H	3230	3700		4165	4630	5100						
62 MPH	7122	8159		9184	10209	11246						

TIRE LOAD IN KG/LB – TIRE PRESSURE IN BAR/PSI

COMMERCIAL DESCRIPTION	CAI MSPN	Max. dist./hour km mile	TKPH ⁽¹⁾ TMPH	e mm inch	D mm inch	R' mm inch	RC mm inch	Tread depth mm 32rd	Dual Spacing mm inch	Cap. liter gallon	Measuring ⁽²⁾ (3) Recommended Rim	Other Approved ⁽²⁾ (3) Rims
X-CRANE 170F 385/95 R 25 Tubeless ⁽⁶⁾	296917 22555	80 49.7		380 15	1365 53.7	633 24.9	4165 164	23 29		280 74	9.50/1.7 CR	10.00/1.5 11.25/1.3
Bar	5	6	7	8	9							
Psi	73	87	102	116	131							
Machine - Use (kg - lbs) CRANES AND SIMILAR SPECIALIZED MACHINES												
30 KM/H	4750	5440	6125	6815	7500							
19 MPH	10474	11995	13506	15027	16538							
40 KM/H	4370	5005	5635	6270	6900							
25 MPH	9636	11036	12425	13825	15215							
50 KM/H	4255	4870	5490	6105	6720							
31 MPH	9382	10738	12105	13462	14818							
60 KM/H	4180	4785	5390	5995	6600							
37 MPH	9217	10551	11885	13219	14553							
65 KM/H	4085	4575	5270	5860	6450							
40 MPH	9007	10088	11620	12921	14222							
70 KM/H	3990	4570	5145	5725	6300							
43 MPH	8798	10077	11345	12624	13892							
80 KM/H	3800	4350	4900	5450	6000							
50 MPH	8379	9592	10805	12017	13230							
90 KM/H	3570	4090	4605	5120	5640							
56 MPH	7872	9018	10154	11290	12436							
100 KM/H	3230	3700	4165	4630	5100							
62 MPH	7122	8159	9184	10209	11246							

COMMERCIAL DESCRIPTION	CAI MSPN	Max. dist./hour km mile	TKPH ⁽¹⁾ TMPH	e mm inch	D mm inch	R' mm inch	RC mm inch	Tread depth mm 32rd	Dual Spacing mm inch	Cap. liter gallon	Measuring ⁽²⁾ (3) Recommended Rim	Other Approved ⁽²⁾ (3) Rims
X-CRANE + 170E 385/95 R 25 X-CRANE + 170E Tubeless ⁽¹⁶⁾	060565	70 43.5		391 15.4	1365 53.7	633 24.9	4165 164	23 29		280 74	10.00/1.5	
Bar	6	6.5	7	7.5	8	8.5	9					
Psi	87	94	102	109	116	123	131					
Machine - Use (kg - lbs) CRANES AND SIMILAR SPECIALIZED MACHINES												
0 KM/H	14350	15030	15700	16350	16970	17590	18180					
0 MPH	31642	33141	34619	36052	37419	38786	40087					
2 KM/H CREEP	11650	12200	12740	13270	13780	14280	14760					
1.2 MPH CREEP	25688	26901	28092	29260	30385	31487	32546					
5 KM/H	10320	10810	11290	11760	12210	12650	13080					
3 MPH	22756	23836	24894	25931	26923	27893	28841					
10 KM/H	8950	9370	9790	10200	10580	10970	11340					
6 MPH	19735	20661	21587	22491	23329	24189	25005					
30 KM/H	6160	6450	6730	7010	7280	7550	7800					
19 MPH	13583	14222	14840	15457	16052	16648	17199					
40 KM/H	5870	6150	6420	6690	6940	7200	7440					
25 MPH	12943	13561	14156	14751	15303	15876	16405					
45 KM/H	5730	6000	6270	6530	6780	7020	7260					
28 MPH	12635	13230	13825	14399	14950	15479	16008					
50 KM/H	5590	5850	6110	6370	6610	6850	7080					
31 MPH	12326	12899	13473	14046	14575	15104	15611					
60 KM/H	5300	5560	5800	6040	6270	6500	6720					
37 MPH	11687	12260	12789	13318	13825	14333	14818					
70 KM/H	4735	4960	5180	5395	5600	5805	6000					
43 MPH	10441	10937	11422	11896	12348	12800	13230					
80 KM/H	3885	4065	4250	4425	4590	4760	4920					
50 MPH	8566	8963	9371	9757	10121	10496	10849					
90 KM/H	3315	3470	3625	3775	3920	4065	4200					
56 MPH	7310	7651	7993	8324	8644	8963	9261					
100 KM/H	2840	2975	3110	3235	3360	3485	3600					
62 MPH	6262	6560	6858	7133	7409	7684	7938					

TIRE LOAD IN KG/LB – TIRE PRESSURE IN BAR/PSI

COMMERCIAL DESCRIPTION	CAI MSPN	Max. dist./hour km mile	TKPH ⁽¹⁾ TMPH	e mm inch	D mm inch	R' mm inch	RC mm inch	Tread depth mm 32rd	Dual Spacing mm inch	Cap. liter gallon	Measuring ⁽²⁾⁽³⁾ Recommended Rim	Other Approved ⁽²⁾⁽³⁾ Rims
XH A L3 * 15.5 R 25 Tubeless	123008 25042	16 9.9		404 15.9	1270 50	555 21.9	3789 149.2	26 32.8		245 64.7	12.00/1.3	12.00/1.3DC 13.00/1.4DC

Bar	2	2.5	3	3.5	4	4.5						
Psi	29	36	44	51	58	65						

Machine - Use (kg - lbs)	LOADERS											
FRONT LADEN	3700 8159	4250 9371	4800 10584	5350 11797	5800 12789	6450 14222						
REAR UNLADEN	2950 6505	3400 7497	3850 8489	4300 9482	4650 10253	5150 11356						

Machine - Use (kg - lbs)	GRADERS											
ALL AXLES	2325 5127	2650 5843	3000 6615									

COMMERCIAL DESCRIPTION	CAI MSPN	Max. dist./hour km mile	TKPH ⁽¹⁾ TMPH	e mm inch	D mm inch	R' mm inch	RC mm inch	Tread depth mm 32rd	Dual Spacing mm inch	Cap. liter gallon	Measuring ⁽²⁾⁽³⁾ Recommended Rim	Other Approved ⁽²⁾⁽³⁾ Rims
XMINE D2 L5R * 15.5 R 25 Tubeless	252905 34827	6 3.7		418 16.5	1336 52.6	609 24	4049 159.4	60 75.6		215 56.8	12.00/1.3	12.00/1.3DC 13.00/1.4DC

Bar	2	2.5	3	3.5	4	4.5						
Psi	29	36	44	51	58	65						

Machine - Use (kg - lbs)	LOADERS											
FRONT LADEN	3700 8159	4250 9371	4800 10584	5350 11797	5800 12789	6450 14222						
REAR UNLADEN	2950 6505	3400 7497	3850 8489	4300 9482	4650 10253	5150 11356						

Machine - Use (kg - lbs)	GRADERS											
ALL AXLES	2325 5127	2650 5843	3000 6615									

Machine - Use (kg - lbs)	UNDERGROUND MINE MACHINES											
ALL AXLES	3350 7387	3850 8489	4300 9482	4800 10584	5200 11466	5800 12789						

COMMERCIAL DESCRIPTION	CAI MSPN	Max. dist./hour km mile	TKPH ⁽¹⁾ TMPH	e mm inch	D mm inch	R' mm inch	RC mm inch	Tread depth mm 32rd	Dual Spacing mm inch	Cap. liter gallon	Measuring ⁽²⁾⁽³⁾ Recommended Rim	Other Approved ⁽²⁾⁽³⁾ Rims
XTL A L2 * 15.5 R 25 Tubeless ⁽³⁾	123415 94687	16 9.9		397 15.6	1272 50.1	556 21.9	3795 149.4	26 32.8		245 64.7	12.00/1.3	12.00/1.3DC 13.00/1.4DC

Bar	2	2.5	3	3.5	4	4.5						
Psi	29	36	44	51	58	65						

Machine - Use (kg - lbs)	LOADERS											
FRONT LADEN	3700 8159	4250 9371	4800 10584	5350 11797	5800 12789	6450 14222						
REAR UNLADEN	2950 6505	3400 7497	3850 8489	4300 9482	4650 10253	5150 11356						

Machine - Use (kg - lbs)	GRADERS											
ALL AXLES	2325 5127	2650 5843	3000 6615									

COMMERCIAL DESCRIPTION	CAI MSPN	Max. dist./hour km mile	TKPH ⁽¹⁾ TMPH	e mm inch	D mm inch	R' mm inch	RC mm inch	Tread depth mm 32rd	Dual Spacing mm inch	Cap. liter gallon	Measuring ⁽²⁾⁽³⁾ Recommended Rim	Other Approved ⁽²⁾⁽³⁾ Rims
XH D1 A E4 ** 16.00 R 25 Tubeless	123350 34694	28 17.4	164 112	462 18.2	1540 60.6	704 27.7	4672 183.9	43 54.2	564 22.2	380 100.4	11.25/2.0IN	11.25/2.0 13.00/2.0IN 13.00/2.0

Bar	4	4.5	5	5.5	6	6.5	7	7.5	8			
Psi	58	65	73	80	87	94	102	109	116			

Machine - Use (kg - lbs)	TRANSPORT											
STANDARD	5000 11025	5450 12017	5900 13010	6400 14112	6850 15104	7300 16097	7550 16648	7750 17089	8000 17640			

TIRE LOAD IN KG/LB – TIRE PRESSURE IN BAR/PSI

COMMERCIAL DESCRIPTION	CAI MSPN	Max. dist./hour km mile	TKPH ⁽¹⁾ TMPH	e mm inch	D mm inch	R' mm inch	RC mm inch	Tread depth mm 32rd	Dual Spacing mm inch	Cap. liter gallon	Measuring ^{(2) (3)} Recommended Rim	Other Approved ^{(2) (3)} Rims
X-QUARRY E4R ** 16.00 R 25 Tubeless	692021	16	93	437	1542	707	4683	48	564	380	11.25/2.0IN	13.00/2.0IN
	17555	9.9	64	17.2	60.7	27.8	184.4	60.5	22.2	100.4	11.25/2.0	13.00/2.0

Bar	3.5	4	4.5	5	5.5	6						
Psi	51	58	65	73	80	87						

Machine - Use (kg - lbs) QUARRY TRANSPORT

30 KM/H	5300	5800	6300	6800	7300	7800						
19 MPH	11687	12789	13892	14994	16097	17199						

COMMERCIAL DESCRIPTION	CAI MSPN	Max. dist./hour km mile	TKPH ⁽¹⁾ TMPH	e mm inch	D mm inch	R' mm inch	RC mm inch	Tread depth mm 32rd	Dual Spacing mm inch	Cap. liter gallon	Measuring ^{(2) (3)} Recommended Rim	Other Approved ^{(2) (3)} Rims
XMINE D2 L5R 16.00 R 25 Tubeless	261025	6		457	1530	699	4641	73		320	11.25/2.0IN	11.25/2.0
	34520	3.7		18	60.2	27.5	182.7	92		84.5	11.25/2.0IN	13.00/2.0IN 13.00/2.0

Bar	2	3	4	5	6	7						
Psi	29	44	58	73	87	102						

Machine - Use (kg - lbs) LOADERS

FRONT LADEN	4500	5800	7050	8350	9600	10900						
	9923	12789	15545	18412	21168	24035						

REAR UNLADEN	3600	4650	5650	6700	7700	8700						
	7938	10253	12458	14774	16979	19184						

Machine - Use (kg - lbs) UNDERGROUND MINE MACHINES

ALL AXLES	4050	5200	6350	7500	8650	9800						
	8930	11466	14002	16538	19073	21609						

COMMERCIAL DESCRIPTION	CAI MSPN	Max. dist./hour km mile	TKPH ⁽¹⁾ TMPH	e mm inch	D mm inch	R' mm inch	RC mm inch	Tread depth mm 32rd	Dual Spacing mm inch	Cap. liter gallon	Measuring ^{(2) (3)} Recommended Rim	Other Approved ^{(2) (3)} Rims
XGC 170E 445/80 R 25 Tubeless	264520	70		446	1352	625	4119	28		340	14.00/1.7 CR	14.00/1.5
	30079	43.5		17.6	53.2	24.6	162.2	35.3		89.8	14.00/1.7 CR	14.00/1.5

Bar	5	6	7									
Psi	73	87	102									

Machine - Use (kg - lbs) CRANES AND SIMILAR SPECIALIZED MACHINES

30 KM/H	5650	6750	7800									
19 MPH	12458	14884	17199									

40 KM/H	5400	6450	7450									
25 MPH	11907	14222	16427									

50 KM/H	5150	6150	7100									
31 MPH	11356	13561	15656									

60 KM/H	5565	6030	6720									
37 MPH	12271	13296	14818									

65 KM/H	4650	5550	6450									
40 MPH	10253	12238	14222									

70 KM/H	4350	5200	6000									
43 MPH	9592	11466	13230									

80 KM/H	3600	4250	4950									
50 MPH	7938	9371	10915									

90 KM/H	3050	3650	4200									
56 MPH	6725	8048	9261									

100 KM/H	2650	3150	3600									
62 MPH	5843	6946	7938									

TIRE LOAD IN KG/LB – TIRE PRESSURE IN BAR/PSI

COMMERCIAL DESCRIPTION	CAI MSPN	Max. dist./hour km mile	TKPH ⁽¹⁾ TMPH	e mm inch	D mm inch	R' mm inch	RC mm inch	Tread depth mm 32rd	Dual Spacing mm inch	Cap. liter gallon	Measuring ⁽²⁾ (3) Recommended Rim	Other Approved ⁽²⁾ (3) Rims
XL B 170E 445/80 R 25 Tubeless	757059 54193	70 43.5		435 17.1	1356 53.4	619 24.4	4112 161.9	26 32.8		340 89.8	14.00/1.7 CR	14.00/1.5
Bar	2	3		4	5	6	7					
Psi	29	44		58	73	87	102					
Machine - Use (kg - lbs) CRANES AND SIMILAR SPECIALIZED MACHINES												
30 KM/H	2725	3650		4600	5650	6750	7800					
19 MPH	6009	8048		10143	12458	14884	17199					
40 KM/H	2600	3475		4400	5400	6450	7450					
25 MPH	5733	7662		9702	11907	14222	16427					
50 KM/H	2475	3300		4150	5150	6150	7100					
31 MPH	5457	7277		9151	11356	13561	15656					
60 KM/H	2365	3150		3975	5565	6030	6720					
37 MPH	5215	6946		8765	12271	13296	14818					
65 KM/H	2250	3000		3800	4650	5550	6450					
40 MPH	4961	6615		8379	10253	12238	14222					
70 KM/H	2100	2800		3550	4350	5200	6000					
43 MPH	4631	6174		7828	9592	11466	13230					
80 KM/H	1725	2300		2900	3600	4250	4950					
50 MPH	3804	5072		6395	7938	9371	10915					
90 KM/H	1475	1975		2500	3050	3650	4200					
56 MPH	3252	4355		5513	6725	8048	9261					
100 KM/H	1250	1675		2150	2650	3150	3600					
62 MPH	2756	3693		4741	5843	6946	7938					

COMMERCIAL DESCRIPTION	CAI MSPN	Max. dist./hour km mile	TKPH ⁽¹⁾ TMPH	e mm inch	D mm inch	R' mm inch	RC mm inch	Tread depth mm 32rd	Dual Spacing mm inch	Cap. liter gallon	Measuring ⁽²⁾ (3) Recommended Rim	Other Approved ⁽²⁾ (3) Rims
XSNOPLUS E2 177E 445/95 R 25 Tubeless	123857 20575	70 43.5		447 17.6	1486 58.5	687 27	4528 178.3	25 31.5	513 20.2	380 100.4	11.00/1.7 CR	11.25/2.0IN 11.25/2.0 DC 635x280 CR
Bar	5	6		7	8	9						
Psi	73	87		102	116	131						
Machine - Use (kg - lbs) CRANES AND SIMILAR SPECIALIZED MACHINES												
30 KM/H	5850	6750		7650	8600	9500						
20 MPH	12899	14884		16868	18963	20948						
40 KM/H	5600	6450		7300	8200	9050						
25 MPH	12348	14222		16097	18081	19955						
50 KM/H	5300	6150		6950	7800	8600						
31 MPH	11687	13561		15325	17199	18963						
65 KM/H	4850	5600		6350	7150	7800						
40 MPH	10694	12348		14002	15766	17199						
70 KM/H	4500	5200		5900	6600	7300						
43 MPH	9923	11466		13010	14553	16097						
80 KM/H	3700	4250		4850	5400	6000						
50 MPH	8159	9371		10694	11907	13230						
90 KM/H	3150	3650		4150	4600	5100						
56 MPH	6946	8048		9151	10143	11246						
100 KM/H	2700	3120		3550	3950	4400						
62 MPH	5954	6880		7828	8710	9702						

TIRE LOAD IN KG/LB – TIRE PRESSURE IN BAR/PSI

COMMERCIAL DESCRIPTION	CAI MSPN	Max. dist./hour km mile	TKPH ⁽¹⁾ TMPH	e mm inch	D mm inch	R' mm inch	RC mm inch	Tread depth mm 32rd	Dual Spacing mm inch	Cap. liter gallon	Measuring ⁽²⁾⁽³⁾ Recommended Rim	Other Approved ⁽²⁾⁽³⁾ Rims
X-CRANE + 174F 445/95 R 25 Tubeless	738428 30097	80 49.7		442 17.4	1485 58.5	693 27.3	4542 178.8	25 31.5		380 100.4	11.00/1.7 CR	11.25/2.0IN 11.25/2.0 DC 635x280 CR
Bar	5	6		7	8	9						
Psi	73	87		102	116	131						
Machine - Use (kg - lbs)	CRANES AND SIMILAR SPECIALIZED MACHINES											
30 KM/H	5340	6095		6850	7615	8375						
19 MPH	11775	13439		15104	16791	18467						
40 KM/H	4910	5605		6300	7005	7705						
25 MPH	10827	12359		13892	15446	16990						
50 KM/H	4780	5460		6140	6820	7505						
31 MPH	10540	12039		13539	15038	16549						
65 KM/H	4590	5240		5890	6545	7205						
40 MPH	10121	11554		12987	14432	15887						
70 KM/H	4485	5120		5755	6395	7035						
43 MPH	9889	11290		12690	14101	15512						
80 KM/H	4270	4875		5480	6090	6700						
50 MPH	9415	10749		12083	13428	14774						
90 KM/H	4015	4580		5150	5725	6300						
56 MPH	8853	10099		11356	12624	13892						
100 KM/H	3775	4305		4840	5380	5920						
62 MPH	8324	9493		10672	11863	13054						

COMMERCIAL DESCRIPTION	CAI MSPN	Max. dist./hour km mile	TKPH ⁽¹⁾ TMPH	e mm inch	D mm inch	R' mm inch	RC mm inch	Tread depth mm 32rd	Dual Spacing mm inch	Cap. liter gallon	Measuring ⁽²⁾⁽³⁾ Recommended Rim	Other Approved ⁽²⁾⁽³⁾ Rims
XSNPLUS L2T * TG 17.5 R 25 Tubeless	123871 99466	16 9.9		448 17.6	1342 52.8	576 22.7	3977 156.6	28 35.3		333 88	14.00/1.5	13.00/1.4DC 14.00/1.3DC 14.00/1.5DC
Bar	2	2.5		3	3.5	4.25	4.5					
Psi	29	36		44	51	62	65					
Machine - Use (kg - lbs)	LOADERS											
FRONT LADEN	4550	5100		5700	6250	7100	7350					
	10033	11246		12569	13781	15656	16207					
REAR UNLADEN	3650	4100		4550	5000	5700	5900					
	8048	9041		10033	11025	12569	13010					
Machine - Use (kg - lbs)	GRADERS											
ALL AXLES	2800	3250		3650								
	6174	7166		8048								

COMMERCIAL DESCRIPTION	CAI MSPN	Max. dist./hour km mile	TKPH ⁽¹⁾ TMPH	e mm inch	D mm inch	R' mm inch	RC mm inch	Tread depth mm 32rd	Dual Spacing mm inch	Cap. liter gallon	Measuring ⁽²⁾⁽³⁾ Recommended Rim	Other Approved ⁽²⁾⁽³⁾ Rims
XTL A L2 * 17.5 R 25 Tubeless ⁽⁹⁾	123425 4118	16 9.9		459 18.1	1337 52.6	574 22.6	3964 156.1	28 35.3		332 87.7	14.00/1.5	14.00/1.3DC 14.00/1.5DC
Bar	2	2.5		3	3.5	4.25	4.5					
Psi	29	36		44	51	62	65					
Machine - Use (kg - lbs)	LOADERS											
FRONT LADEN	4550	5100		5700	6250	7100	7350					
	10033	11246		12569	13781	15656	16207					
REAR UNLADEN	3650	4100		4550	5000	5700	5900					
	8048	9041		10033	11025	12569	13010					
Machine - Use (kg - lbs)	GRADERS											
ALL AXLES	2800	3250		3650								
	6174	7166		8048								

TIRE LOAD IN KG/LB – TIRE PRESSURE IN BAR/PSI

COMMERCIAL DESCRIPTION	CAI MSPN	Max. dist./hour km mile	TKPH ⁽¹⁾ TMPH	e mm inch	D mm inch	R' mm inch	RC mm inch	Tread depth mm 32rd	Dual Spacing mm inch	Cap. liter gallon	Measuring ^{(2) (3)} Recommended Rim	Other Approved ^{(2) (3)} Rims
XH A L3 * 17.5 R 25 Tubeless	123009 35052	16 9.9		448 17.6	1340 52.8	580 22.8	3984 156.9	29 36.5		328 86.7	14.00/1.5	13.00/1.4DC 14.00/1.5DC

Bar	2	2.5	3	3.5	4.25	4.5						
Psi	29	36	44	51	62	65						

Machine - Use (kg - lbs) **LOADERS**

FRONT LADEN	4550 10033	5100 11246	5700 12569	6250 13781	7100 15656	7350 16207						
REAR UNLADEN	3650 8048	4100 9041	4550 10033	5000 11025	5700 12569	5900 13010						

Machine - Use (kg - lbs) **GRADERS**

ALL AXLES	2800 6174	3250 7166	3650 8048									
------------------	--------------	--------------	--------------	--	--	--	--	--	--	--	--	--

COMMERCIAL DESCRIPTION	CAI MSPN	Max. dist./hour km mile	TKPH ⁽¹⁾ TMPH	e mm inch	D mm inch	R' mm inch	RC mm inch	Tread depth mm 32rd	Dual Spacing mm inch	Cap. liter gallon	Measuring ^{(2) (3)} Recommended Rim	Other Approved ^{(2) (3)} Rims
XHA2 L3 * 176A2 17.5 R 25 Tubeless	717546 48885	16 9.9		459 18.1	1342 52.8	583 23	3995 157.3	29 36.5		325 85.9	14.00/1.5	13.00/1.4DC 14.00/1.5DC

Bar	2	2.5	3	3.5	4.25	4.5						
Psi	29	36	44	51	62	65						

Machine - Use (kg - lbs) **LOADERS**

FRONT LADEN	4550 10033	5100 11246	5700 12569	6250 13781	7100 15656	7350 16207						
REAR UNLADEN	3650 8048	4100 9041	4550 10033	5000 11025	5700 12569	5900 13010						

Machine - Use (kg - lbs) **GRADERS**

ALL AXLES	2800 6174	3250 7166	3650 8048									
------------------	--------------	--------------	--------------	--	--	--	--	--	--	--	--	--

COMMERCIAL DESCRIPTION	CAI MSPN	Max. dist./hour km mile	TKPH ⁽¹⁾ TMPH	e mm inch	D mm inch	R' mm inch	RC mm inch	Tread depth mm 32rd	Dual Spacing mm inch	Cap. liter gallon	Measuring ^{(2) (3)} Recommended Rim	Other Approved ^{(2) (3)} Rims
XK A L3 ** 17.5 R 25 Tubeless	263251 44735	14 8.7		481 18.9	1346 53	600 23.6	4045 159.3	25 31.5		300 79.3	14.00/1.5	

Bar	2	2.5	3	3.5	4.25	4.5	5	5.5				
Psi	29	36	44	51	62	65	73	80				

Machine - Use (kg - lbs) **LOADERS**

FRONT LADEN	4550 10033	5100 11246	5700 12569	6250 13781	7100 15656	7350 16207	7925 17475	8500 18743				
REAR UNLADEN	3650 8048	4100 9041	4550 10033	5000 11025	5700 12569	5900 13010	6350 14002	6800 14994				

Machine - Use (kg - lbs) **UNDERGROUND TRANSPORT MACHINE**

ALL AXLES			4250 9371	4750 10474	5600 12348	5800 12789	6300 13892	6700 14774				
------------------	--	--	--------------	---------------	---------------	---------------	---------------	---------------	--	--	--	--

COMMERCIAL DESCRIPTION	CAI MSPN	Max. dist./hour km mile	TKPH ⁽¹⁾ TMPH	e mm inch	D mm inch	R' mm inch	RC mm inch	Tread depth mm 32rd	Dual Spacing mm inch	Cap. liter gallon	Measuring ^{(2) (3)} Recommended Rim	Other Approved ^{(2) (3)} Rims
XLD D2 A L5T * 17.5 R 25 Tubeless	123317 37608	10 6.2		454 17.9	1406 55.4	619 24.4	4206 165.6	63 79.4		305 80.6	14.00/1.5	

Bar	2	2.5	3	3.5	4.25	4.5	5	5.5				
Psi	29	36	44	51	62	65	73	80				

Machine - Use (kg - lbs) **LOADERS**

FRONT LADEN	4550 10033	5100 11246	5700 12569	6250 13781	7100 15656	7350 16207						
REAR UNLADEN	3650 8048	4100 9041	4550 10033	5000 11025	5700 12569	5900 13010						

Machine - Use (kg - lbs) **GRADERS**

ALL AXLES	2800 6174	3250 7166	3650 8048									
------------------	--------------	--------------	--------------	--	--	--	--	--	--	--	--	--

Machine - Use (kg - lbs) **UNDERGROUND TRANSPORT MACHINE**

ALL AXLES			4250 9371	4750 10474	5600 12348	5800 12789	6300 13892	6700 14774				
------------------	--	--	--------------	---------------	---------------	---------------	---------------	---------------	--	--	--	--

TIRE LOAD IN KG/LB – TIRE PRESSURE IN BAR/PSI

COMMERCIAL DESCRIPTION	CAI MSPN	Max. dist./hour km mile	TKPH ⁽¹⁾ TMPH	e mm inch	D mm inch	R' mm inch	RC mm inch	Tread depth mm 32rd	Dual Spacing mm inch	Cap. liter gallon	Measuring ⁽²⁾⁽³⁾ Recommended Rim	Other Approved ⁽²⁾⁽³⁾ Rims
XMINE D2 L5 ** 17.5 R 25 Tubeless	009071 31686	6 3.7		480 18.9	1402 55.2	641 25.2	4254 167.5	65 81.9		285 75.3	14.00/1.5	14.00/1.5DC
Bar	3	3.5		4	4.5	5		5.5	6	6.5		
Psi	44	51		58	65	73		80	87	94		
Machine - Use (kg - lbs)	LOADERS											
FRONT LADEN	4750 10474	5450 12017		6000 13230	6500 14333	7100 15656	7500 16538	8000 17640		8500 18743		
REAR UNLADEN	3800 8379	4360 9614		4800 10584	5200 11466	5680 12524	6000 13230	6400 14112		6800 14994		
Machine - Use (kg - lbs)	UNDERGROUND TRANSPORT MACHINE											
ALL AXLES	4250 9371	4750 10474		5300 11687	5800 12789	6300 13892	6700 14774	7100 15656		7500 16538		
COMMERCIAL DESCRIPTION	CAI MSPN	Max. dist./hour km mile	TKPH ⁽¹⁾ TMPH	e mm inch	D mm inch	R' mm inch	RC mm inch	Tread depth mm 32rd	Dual Spacing mm inch	Cap. liter gallon	Measuring ⁽²⁾⁽³⁾ Recommended Rim	Other Approved ⁽²⁾⁽³⁾ Rims
XSM D2+ L5S ** 17.5 R 25 Tubeless	218365 41235	4 2.5		456 18	1397 55	641 25.2	4246 167.2	78 98.3		272 71.9	14.00/1.5	
Bar	3	3.5		4	4.5	5		5.5	6	6.5		
Psi	44	51		58	65	73		80	87	94		
Machine - Use (kg - lbs)	LOADERS											
FRONT LADEN	4750 10474	5450 12017		6000 13230	6500 14333	7100 15656	7500 16538	8000 17640		8500 18743		
REAR UNLADEN	3800 8379	4360 9614		4800 10584	5200 11466	5680 12524	6000 13230	6400 14112		6800 14994		
COMMERCIAL DESCRIPTION	CAI MSPN	Max. dist./hour km mile	TKPH ⁽¹⁾ TMPH	e mm inch	D mm inch	R' mm inch	RC mm inch	Tread depth mm 32rd	Dual Spacing mm inch	Cap. liter gallon	Measuring ⁽²⁾⁽³⁾ Recommended Rim	Other Approved ⁽²⁾⁽³⁾ Rims
XSMD2+ PRO L5S *** 17.5 R 25 Tubeless	822869 33183	4 2.5		453 17.8	1396 55	635 25	4227 166.4	78 98.3		272 71.9	14.00/1.5	
Bar	3	3.5		4	4.5	5		5.5	6	6.5	7	
Psi	44	51		58	65	73		80	87	94	102	
Machine - Use (kg - lbs)	LOADERS											
FRONT LADEN	4750 10474	5450 12017		6000 13230	6500 14333	7100 15656	7500 16538	8000 17640		8500 18743	10000 22050	
REAR UNLADEN	3800 8379	4360 9614		4800 10584	5200 11466	5680 12524	6000 13230	6400 14112		6800 14994	8000 17640	
COMMERCIAL DESCRIPTION	CAI MSPN	Max. dist./hour km mile	TKPH ⁽¹⁾ TMPH	e mm inch	D mm inch	R' mm inch	RC mm inch	Tread depth mm 32rd	Dual Spacing mm inch	Cap. liter gallon	Measuring ⁽²⁾⁽³⁾ Recommended Rim	Other Approved ⁽²⁾⁽³⁾ Rims
XMINE D2 PRO L5 *** 17.5 R 25 Tubeless	720557 01143	6 3.7		477 18.8	1404 55.3	627 24.7	4222 166.2	65 81.9		285 75.3	14.00/1.5	14.00/1.5DC
Bar	3	3.5		4	4.5	5		5.5	6	6.5	7	
Psi	44	51		58	65	73		80	87	94	102	
Machine - Use (kg - lbs)	LOADERS											
FRONT LADEN	4750 10474	5450 12017		6000 13230	6500 14333	7100 15656	7500 16538	8000 17640		8500 18743	10000 22050	
REAR UNLADEN	3800 8379	4360 9614		4800 10584	5200 11466	5680 12524	6000 13230	6400 14112		6800 14994	8000 17640	
Machine - Use (kg - lbs)	UNDERGROUND TRANSPORT MACHINE											
ALL AXLES	4250 9371	4750 10474		5300 11687	5800 12789	6300 13892	6700 14774	7100 15656		7500 16538	9000 19845	

TIRE LOAD IN KG/LB – TIRE PRESSURE IN BAR/PSI

COMMERCIAL DESCRIPTION	CAI MSPN	Max. dist./hour km mile	TKPH ⁽¹⁾ TMPH	e mm inch	D mm inch	R' mm inch	RC mm inch	Tread depth mm 32rd	Dual Spacing mm inch	Cap. liter gallon	Measuring ⁽²⁾⁽³⁾ Recommended Rim	Other Approved ⁽²⁾⁽³⁾ Rims
XS E7 18.00 R 25 Tubeless ⁽⁹⁾	276450 46284			492 19.4	1600 63	722 28.4	4831 190.2	21 26.5	641 25.2	532 140.6	13.00/2.5IN	13.00/2.5 15.00/2.5IN 15.00/2.5
Bar	1	1.5	2	2.5	3	3.5	4	4.5	5	6		
Psi	15	22	29	36	44	51	58	65	73	87		
Machine - Use (kg - lbs)	DESERT CONDITIONS 65 KM/H MAX.											
ROAD IN SINGLE				3250 7166	3900 8600	4500 9923	5050 11135	5600 12348	6250 13781	6850 15104		8000 17640
ROAD IN TWIN				2925 6450	3510 7740	4050 8930	4545 10022	5040 11113	5625 12403	6165 13594		7200 15876
TRACK IN SINGLE				3250 7166	4050 8930	4950 10915	5750 12679	6600 14553				
TRACK IN TWIN				2925 6450	3645 8037	4455 9823	5175 11411	5940 13098				
SAND IN SINGLE	3600 7938	5050 11135		6350 14002								
SAND IN TWIN	3240 7144	4545 10022		5715 12602								

COMMERCIAL DESCRIPTION	CAI MSPN	Max. dist./hour km mile	TKPH ⁽¹⁾ TMPH	e mm inch	D mm inch	R' mm inch	RC mm inch	Tread depth mm 32rd	Dual Spacing mm inch	Cap. liter gallon	Measuring ⁽²⁾⁽³⁾ Recommended Rim	Other Approved ⁽²⁾⁽³⁾ Rims
XH D1 A E4 ** 18.00 R 25 Tubeless	123031 34710	22 13.7	163 112	525 20.7	1665 65.6	760 29.9	5050 198.8	47 59.2	598 23.5	500 132.1	13.00/2.5	15.00/2.5
Bar	4	4.25	4.5	5	6	7	7.5					
Psi	58	62	65	73	87	102	109					
Machine - Use (kg - lbs)	TRANSPORT											
STANDARD	6800 14994	7100 15656		7400 16317	8000 17640	9250 20396	9850 21719	10150 22381				

COMMERCIAL DESCRIPTION	CAI MSPN	Max. dist./hour km mile	TKPH ⁽¹⁾ TMPH	e mm inch	D mm inch	R' mm inch	RC mm inch	Tread depth mm 32rd	Dual Spacing mm inch	Cap. liter gallon	Measuring ⁽²⁾⁽³⁾ Recommended Rim	Other Approved ⁽²⁾⁽³⁾ Rims
XH D1 B E4 ** 18.00 R 25 Tubeless	123021 34728	30 18.6	222 152	525 20.7	1665 65.6	760 29.9	5050 198.8	47 59.2	598 23.5	500 132.1	13.00/2.5	15.00/2.5IN 15.00/2.5
Bar	4	4.25	4.5	5	6	7	7.5					
Psi	58	62	65	73	87	102	109					
Machine - Use (kg - lbs)	TRANSPORT											
STANDARD	6800 14994	7100 15656		7400 16317	8000 17640	9250 20396	9850 21719	10150 22381				

COMMERCIAL DESCRIPTION	CAI MSPN	Max. dist./hour km mile	TKPH ⁽¹⁾ TMPH	e mm inch	D mm inch	R' mm inch	RC mm inch	Tread depth mm 32rd	Dual Spacing mm inch	Cap. liter gallon	Measuring ⁽²⁾⁽³⁾ Recommended Rim	Other Approved ⁽²⁾⁽³⁾ Rims
XK D1 A E4 ** 18.00 R 25 Tubeless	270680 12336	18 11.2	133 91	530 20.9	1668 65.7	764 30.1	5064 199.4	47 59.2	598 23.5	495 130.8	13.00/2.5IN	13.00/2.5 15.00/2.5IN 15.00/2.5
Bar	4	4.25	4.5	5	6	7	7.5					
Psi	58	62	65	73	87	102	109					
Machine - Use (kg - lbs)	TRANSPORT											
STANDARD	6800 14994	7100 15656		7400 16317	8000 17640	9250 20396	9850 21719	10150 22381				

COMMERCIAL DESCRIPTION	CAI MSPN	Max. dist./hour km mile	TKPH ⁽¹⁾ TMPH	e mm inch	D mm inch	R' mm inch	RC mm inch	Tread depth mm 32rd	Dual Spacing mm inch	Cap. liter gallon	Measuring ⁽²⁾⁽³⁾ Recommended Rim	Other Approved ⁽²⁾⁽³⁾ Rims
XHDT A E4 18.00 R 25 Tubeless	199475 18573	23 14.3	170 116	496 19.5	1621 63.8	732 28.8	4896 192.8	47 59.2	587 23.1	513 135.5	13.00/2.5IN	13.00/2.5 15.00/2.5IN 15.00/2.5
Bar	4	4.25	4.5	5	6	7	7.5					
Psi	58	62	65	73	87	102	109					
Machine - Use (kg - lbs)	TRANSPORT											
STANDARD	6800 14994	7100 15656		7400 16317	8000 17640	9250 20396	9850 21719	10150 22381				

TIRE LOAD IN KG/LB – TIRE PRESSURE IN BAR/PSI

COMMERCIAL DESCRIPTION	CAI MSPN	Max. dist./hour km mile	TKPH ⁽¹⁾ TMPH	e mm inch	D mm inch	R' mm inch	RC mm inch	Tread depth mm 32rd	Dual Spacing mm inch	Cap. liter gallon	Measuring ⁽²⁾⁽³⁾ Recommended Rim	Other Approved ⁽²⁾⁽³⁾ Rims
XHDT B E4 18.00 R 25 Tubeless	714571 23787	30 18.6	222 152	496 19.5	1621 63.8	732 28.8	4896 192.8	47 59.2	587 23.1	513 135.5	13.00/2.5IN	13.00/2.5 15.00/2.5IN 15.00/2.5
Bar	4	4.25		4.5	5	6		7	7.5			
Psi	58	62		65	73	87		102	109			
Machine - Use (kg - lbs)	TRANSPORT											
STANDARD	6800 14994	7100 15656		7400 16317	8000 17640	9250 20396		9850 21719	10150 22381			

COMMERCIAL DESCRIPTION	CAI MSPN	Max. dist./hour km mile	TKPH ⁽¹⁾ TMPH	e mm inch	D mm inch	R' mm inch	RC mm inch	Tread depth mm 32rd	Dual Spacing mm inch	Cap. liter gallon	Measuring ⁽²⁾⁽³⁾ Recommended Rim	Other Approved ⁽²⁾⁽³⁾ Rims
XMINE D2 L5 ** 18.00 R 25 Tubeless	391927 31984	6 3.7		536 21.1	1656 65.2	736 29	4971 195.7	82 103.3		460 121.5	13.00/2.5IN	13.00/2.5 15.00/2.5IN 15.00/2.5
Bar	4	4.5		5	5.5	6		7	7.5	8	8.25	
Psi	58	65		73	80	87		102	109	116	120	
Machine - Use (kg - lbs)	LOADER											
FRONT LADEN	9250 20396	10000 22050		10900 24035	11800 26019	12500 27563	14000 30870	15000 33075	15550 34288	16000 35280		
REAR UNLADEN	7400 16317	8000 17640		8720 19228	9450 20837	10000 22050	11200 24696	12000 26460	12450 27452	12800 28224		
Machine - Use (kg - lbs)	UNDERGROUND TRANSPORT MACHINE											
ALL AXLES	8250 18191	9000 19845		9750 21499	10600 23373	11200 24696	12500 27563	13200 29106	14000 30870	14200 31311		

COMMERCIAL DESCRIPTION	CAI MSPN	Max. dist./hour km mile	TKPH ⁽¹⁾ TMPH	e mm inch	D mm inch	R' mm inch	RC mm inch	Tread depth mm 32rd	Dual Spacing mm inch	Cap. liter gallon	Measuring ⁽²⁾⁽³⁾ Recommended Rim	Other Approved ⁽²⁾⁽³⁾ Rims
XSM D2+ L5S ** 18.00 R 25 Tubeless	686348 41606	4 2.5		507 20	1655 65.2	743 29.3	4988 196.4	96 120.9		440 116.2	13.00/2.5IN	13.00/2.5 15.00/2.5IN 15.00/2.5
Bar	4	4.5		5	5.5	6		7	7.5	8	8.25	
Psi	58	65		73	80	87		102	109	116	120	
Machine - Use (kg - lbs)	LOADER											
FRONT LADEN	9250 20396	10000 22050		10900 24035	11800 26019	12500 27563	14000 30870	15000 33075	15550 34288	16000 35280		
REAR UNLADEN	7400 16317	8000 17640		8720 19228	9450 20837	10000 22050	11200 24696	12000 26460	12450 27452	12800 28224		

COMMERCIAL DESCRIPTION	CAI MSPN	Max. dist./hour km mile	TKPH ⁽¹⁾ TMPH	e mm inch	D mm inch	R' mm inch	RC mm inch	Tread depth mm 32rd	Dual Spacing mm inch	Cap. liter gallon	Measuring ⁽²⁾⁽³⁾ Recommended Rim	Other Approved ⁽²⁾⁽³⁾ Rims
XSM D2+ LC L5S ** 18.00 R 25 Tubeless	694482 32651	6 3.7		509 20	1612 63.5	723 28.5	4856 191.2	78 98.3		437 115.5	13.00/2.5IN	13.00/2.5 15.00/2.5IN 15.00/2.5
Bar	4	4.5		5	5.5	6		7	7.5	8	8.25	
Psi	58	65		73	80	87		102	109	116	120	
Machine - Use (kg - lbs)	LOADER											
FRONT LADEN	9250 20396	10000 22050		10900 24035	11800 26019	12500 27563	14000 30870	15000 33075	15550 34288	16000 35280		
REAR UNLADEN	7400 16317	8000 17640		8720 19228	9450 20837	10000 22050	11200 24696	12000 26460	12450 27452	12800 28224		

TIRE LOAD IN KG/LB – TIRE PRESSURE IN BAR/PSI

COMMERCIAL DESCRIPTION	CAI MSPN	Max. dist./hour km mile	TKPH ⁽¹⁾ TMPH	e mm inch	D mm inch	R' mm inch	RC mm inch	Tread depth mm 32rd	Dual Spacing mm inch	Cap. liter gallon	Measuring ⁽²⁾ (3) Recommended Rim	Other Approved ⁽²⁾ (3) Rims
XMINE D2 PRO L5 *** 18.00 R 25 Tubeless	153322 08541	6 3.7		532 20.9	1665 65.6	737 29	4992 196.5	82 103.3		460 121.5	13.00/2.5IN	13.00/2.5 15.00/2.5IN 15.00/2.5
Bar	4	4.5	5	5.5	6	7	7.5	8	8.25	8.5		
Psi	58	65	73	80	87	102	109	116	120	123		
Machine - Use (kg - lbs) LOADERS												
FRONT LADEN	9250 20396	10000 22050	10900 24035	11800 26019	12500 27563	14000 30870	15000 33075	15550 34288	16000 35280	17000 37485		
REAR UNLADEN	7400 16317	8000 17640	8720 19228	9440 20815	10000 22050	11200 24696	12000 26460	12440 27430	12800 28224	13600 29988		
Machine - Use (kg - lbs) UNDERGROUND TRANSPORT MACHINE												
ALL AXLES	8250 18191	9000 19845	9750 21499	10600 23373	11200 24696	12500 27563	13200 29106	14000 30870	14200 31311	15000 33075		

COMMERCIAL DESCRIPTION	CAI MSPN	Max. dist./hour km mile	TKPH ⁽¹⁾ TMPH	e mm inch	D mm inch	R' mm inch	RC mm inch	Tread depth mm 32rd	Dual Spacing mm inch	Cap. liter gallon	Measuring ⁽²⁾ (3) Recommended Rim	Other Approved ⁽²⁾ (3) Rims
XSM2+ PRO L5S *** 18.00 R 25 Tubeless	003438 57386	4 2.5		508 20	1653 65.1	738 29.1	4972 195.7	96 120.9		440 116.2	13.00/2.5IN	13.00/2.5 15.00/2.5IN 15.00/2.5
Bar	4	4.5	5	5.5	6	7	7.5	8	8.25	8.5		
Psi	58	65	73	80	87	102	109	116	120	123		
Machine - Use (kg - lbs) LOADERS												
FRONT LADEN	9250 20396	10000 22050	10900 24035	11800 26019	12500 27563	14000 30870	15000 33075	15550 34288	16000 35280	17000 37485		
REAR UNLADEN	7400 16317	8000 17640	8720 19228	9440 20815	10000 22050	11200 24696	12000 26460	12440 27430	12800 28224	13600 29988		

COMMERCIAL DESCRIPTION	CAI MSPN	Max. dist./hour km mile	TKPH ⁽¹⁾ TMPH	e mm inch	D mm inch	R' mm inch	RC mm inch	Tread depth mm 32rd	Dual Spacing mm inch	Cap. liter gallon	Measuring ⁽²⁾ (3) Recommended Rim	Other Approved ⁽²⁾ (3) Rims
XV C E2 186E 18.00 R 25 Tubeless (8 - 9)	123491 01255	50 31.1	284 195	496 19.5	1622 63.9	743 29.3	4925 193.9	26 32.8	641 25.2	563 148.7	13.00/2.5IN	13.00/2.5 15.00/2.5IN 15.00/2.5
Bar	2	3	4	5	6	7	7.5	8	9			
Psi	29	44	58	73	87	102	109	116	131			
Machine - Use (kg - lbs) CRANES AND SIMILAR SPECIALIZED MACHINES												
30 KM/H 19 MPH	3700 8159	5200 11466	6300 13892	7400 16317	8650 19073	9900 21830	10500 23153	11100 24476	12400 27342			
40 KM/H 25 MPH	3525 7773	4950 10915	6000 13230	7050 15545	8250 18191	9400 20727	10000 22050	10600 23373	11800 26019			
50 KM/H 31 MPH	3375 7442	4725 10419	5700 12569	6750 14884	7850 17309	8950 19735	9525 21003	10100 22271	11200 24696			
65 KM/H 40 MPH	3050 6725	4275 9426	5200 11466	6100 13451	7100 15656	8150 17971	8650 19073	9150 20176	10200 22491			
70 KM/H 43 MPH	2850 6284	4000 8820	4850 10694	5700 12569	6650 14663	7600 16758	8075 17805	8550 18853	9500 20948			
80 KM/H 50 MPH	2325 5127	3275 7221	3975 8765	4675 10308	5450 12017	6250 13781	6625 14608	7000 15435	7800 17199			
90 KM/H 56 MPH	2000 4410	2800 6174	3400 7497	4000 8820	4650 10253	5300 11687	5650 12458	6000 13230	6650 14663			
100 KM/H 62 MPH	1700 3749	2400 5292	2900 6395	3400 7497	4000 8820	4550 10033	4750 10474	5150 11356	5700 12569			

TIRE LOAD IN KG/LB – TIRE PRESSURE IN BAR/PSI

COMMERCIAL DESCRIPTION	CAI MSPN	Max. dist./hour km mile	TKPH ⁽¹⁾ TMPH	e mm inch	D mm inch	R' mm inch	RC mm inch	Tread depth mm 32rd	Dual Spacing mm inch	Cap. liter gallon	Measuring ⁽²⁾ (3) Recommended Rim	Other Approved ⁽²⁾ (3) Rims
XVC 183E 505/95 R 25 Tubeless ⁽³⁾	565628	50	284	498	1610	743	4902	26		576	13.00/2.5IN	13.00/2.5
	67579	31.1	195	19.6	63.4	29.3	193	32.8	152.2	15.00/2.5IN		15.00/2.5

Bar	5	6	7	8	9
Psi	73	87	102	116	131

Machine - Use (kg - lbs)	CRANES AND SIMILAR SPECIALIZED MACHINES					
30 KM/H	6435	7670	8905	10140	11375	
19 MPH	14189	16912	19636	22359	25082	
40 KM/H	6140	7315	8495	9670	10850	
25 MPH	13539	16130	18731	21322	23924	
50 KM/H	5840	6960	8085	9205	10325	
31 MPH	12877	15347	17827	20297	22767	
60 KM/H	5545	6610	7670	8730	9800	
37 MPH	12227	14575	16912	19250	21609	
65 KM/H	5245	6255	7260	8270	9275	
40 MPH	11565	13792	16008	18235	20451	
70 KM/H	4950	5900	6850	7800	8750	
43 MPH	10915	13010	15104	17199	19294	
80 KM/H	4060	4840	5615	6390	7175	
50 MPH	8952	10672	12381	14090	15821	
90 KM/H	3465	4130	4795	5460	6125	
56 MPH	7640	9107	10573	12039	13506	
100 KM/H	2970	3540	4110	4680	5250	
62 MPH	6549	7806	9063	10319	11576	

COMMERCIAL DESCRIPTION	CAI MSPN	Max. dist./hour km mile	TKPH ⁽¹⁾ TMPH	e mm inch	D mm inch	R' mm inch	RC mm inch	Tread depth mm 32rd	Dual Spacing mm inch	Cap. liter gallon	Measuring ⁽²⁾ (3) Recommended Rim	Other Approved ⁽²⁾ (3) Rims
XADN E3T ** 177B 20.5 R 25 Tubeless	123407	28	164	528	1490	667	4485	36		474	17.00/2.0	
	23290	17.4	112	20.8	58.7	26.3	176.6	45.4	125.2			

Bar	2	2.5	3	3.5	4	4.25	4.5
Psi	29	36	44	51	58	62	65

Machine - Use (kg - lbs)	ARTICULATED DUMP TRUCKS						
STANDARD	4750	5250	5750	6250	6800	7050	7300
	10474	11576	12679	13781	14994	15545	16097

COMMERCIAL DESCRIPTION	CAI MSPN	Max. dist./hour km mile	TKPH ⁽¹⁾ TMPH	e mm inch	D mm inch	R' mm inch	RC mm inch	Tread depth mm 32rd	Dual Spacing mm inch	Cap. liter gallon	Measuring ⁽²⁾ (3) Recommended Rim	Other Approved ⁽²⁾ (3) Rims
XSNOPLUS L2T * 20.5 R 25 Tubeless	123795	16		534	1471	632	4362	31		500	17.00/1.7	17.00/2.0
	62408	9.9		21	57.9	24.9	171.7	39.1	132.1			

Bar	2	2.5	3	3.5	4.25	4.5
Psi	29	36	44	51	62	65

Machine - Use (kg - lbs)	LOADERS					
FRONT LADEN	6250	7000	7700	8400	9500	9900
	13781	15435	16979	18522	20948	21830
REAR UNLADEN	5000	5600	6150	6700	7600	7900
	11025	12348	13561	14774	16758	17420

Machine - Use (kg - lbs)	GRADERS		
ALL AXLES	3600	4125	4625
	7938	9096	10198

TIRE LOAD IN KG/LB – TIRE PRESSURE IN BAR/PSI

COMMERCIAL DESCRIPTION	CAI MSPN	Max. dist./hour km mile	TKPH ⁽¹⁾ TMPH	e mm inch	D mm inch	R' mm inch	RC mm inch	Tread depth mm 32rd	Dual Spacing mm inch	Cap. liter gallon	Measuring ⁽²⁾⁽³⁾ Recommended Rim	Other Approved ⁽²⁾⁽³⁾ Rims
XTL A L2 * 20.5 R 25 Tubeless ⁽⁵⁾	123435 09122	16 9.9		532 20.9	1480 58.3	637 25.1	4391 172.9	31 39.1		500 132.1	17.00/1.7	17.00/2.0

Bar	2	2.5	3	3.5	4.25	4.5						
Psi	29	36	44	51	62	65						

Machine - Use (kg - lbs) **LOADERS**

FRONT LADEN	6250 13781	7000 15435	7700 16979	8400 18522	9500 20948	9900 21830						
REAR UNLADEN	5000 11025	5600 12348	6150 13561	6700 14774	7600 16758	7900 17420						

Machine - Use (kg - lbs) **GRADERS**

ALL AXLES	3600 7938	4125 9096	4625 10198									
------------------	--------------	--------------	---------------	--	--	--	--	--	--	--	--	--

COMMERCIAL DESCRIPTION	CAI MSPN	Max. dist./hour km mile	TKPH ⁽¹⁾ TMPH	e mm inch	D mm inch	R' mm inch	RC mm inch	Tread depth mm 32rd	Dual Spacing mm inch	Cap. liter gallon	Measuring ⁽²⁾⁽³⁾ Recommended Rim	Other Approved ⁽²⁾⁽³⁾ Rims
XHA2 L3 ** 186A2 20.5 R 25 Tubeless	899613 84298	16 9.9		528 20.8	1486 58.5	644 25.4	4420 174	33 41.6		489 129.2	17.00/1.7	17.00/2.0

Bar	2	2.5	3	3.5	4.25	4.5						
Psi	29	36	44	51	62	65						

Machine - Use (kg - lbs) **LOADERS**

FRONT LADEN	6250 13781	7000 15435	7700 16979	8400 18522	9500 20948	9900 21830						
REAR UNLADEN	5000 11025	5600 12348	6150 13561	6700 14774	7600 16758	7900 17420						

Machine - Use (kg - lbs) **GRADERS**

ALL AXLES	3600 7938	4125 9096	4625 10198									
------------------	--------------	--------------	---------------	--	--	--	--	--	--	--	--	--

COMMERCIAL DESCRIPTION	CAI MSPN	Max. dist./hour km mile	TKPH ⁽¹⁾ TMPH	e mm inch	D mm inch	R' mm inch	RC mm inch	Tread depth mm 32rd	Dual Spacing mm inch	Cap. liter gallon	Measuring ⁽²⁾⁽³⁾ Recommended Rim	Other Approved ⁽²⁾⁽³⁾ Rims
XK A L3 ** 20.5 R 25 Tubeless	263460 01565	14 8.7		560 22	1486 58.5	655 25.8	4447 175.1	28 35.3		485 128.1	17.00/1.7 17.00/2.0	

Bar	2	2.5	3	3.5	4.25	4.5	5	5.5				
Psi	29	36	44	51	62	65	73	80				

Machine - Use (kg - lbs) **LOADER**

FRONT LADEN	6250 13781	7000 15435	7700 16979	8400 18522	9500 20948	9900 21830	10700 23594	11500 25358				
REAR UNLADEN	5000 11025	5600 12348	6150 13561	6700 14774	7600 16758	7900 17420	8550 18853	9180 20242				

Machine - Use (kg - lbs) **UNDERGROUND TRANSPORT MACHINE**

ALL AXLES			5600 12348	6300 13892	7300 16097	7750 17089	8250 18191	9000 19845				
------------------	--	--	---------------	---------------	---------------	---------------	---------------	---------------	--	--	--	--

COMMERCIAL DESCRIPTION	CAI MSPN	Max. dist./hour km mile	TKPH ⁽¹⁾ TMPH	e mm inch	D mm inch	R' mm inch	RC mm inch	Tread depth mm 32rd	Dual Spacing mm inch	Cap. liter gallon	Measuring ⁽²⁾⁽³⁾ Recommended Rim	Other Approved ⁽²⁾⁽³⁾ Rims
XLD D2 A L5T * 20.5 R 25 Tubeless	123325 79084	10 6.2		534 21	1530 60.2	674 26.5	4578 180.2	72 90.7		427 112.8	17.00/1.7	17.00/2.0

Bar	2	2.5	3	3.5	4.25	4.5						
Psi	29	36	44	51	62	65						

Machine - Use (kg - lbs) **LOADERS**

FRONT LADEN	6250 13781	7000 15435	7700 16979	8400 18522	9500 20948	9900 21830						
REAR UNLADEN	5000 11025	5600 12348	6150 13561	6700 14774	7600 16758	7900 17420						

Machine - Use (kg - lbs) **GRADERS**

ALL AXLES	3600 7938	4125 9096	4625 10198									
------------------	--------------	--------------	---------------	--	--	--	--	--	--	--	--	--

Machine - Use (kg - lbs) **UNDERGROUND TRANSPORT MACHINE**

ALL AXLES			5600 12348	6300 13892	7300 16097	7750 17089	8250 18191	9000 19845				
------------------	--	--	---------------	---------------	---------------	---------------	---------------	---------------	--	--	--	--

TIRE LOAD IN KG/LB – TIRE PRESSURE IN BAR/PSI

COMMERCIAL DESCRIPTION	CAI MSPN	Max. dist./hour km mile	TKPH ⁽¹⁾ TMPH	e mm inch	D mm inch	R' mm inch	RC mm inch	Tread depth mm 32rd	Dual Spacing mm inch	Cap. liter gallon	Measuring ⁽²⁾ (3) Recommended Rim	Other Approved ⁽²⁾ (3) Rims
XMINE D2 L5 ** 20.5 R 25 Tubeless	353968 43492	6 3.7		562 22.1	1535 60.4	701 27.6	4656 183.3	74 93.2		447 118.1	17.00/1.7 17.00/2.0	
Bar	3	3.5		4	4.5	5	5.5	6		6.5		
Psi	44	51		58	65	73	80	87		94		
Machine - Use (kg - lbs)	LOADERS											
FRONT LADEN	6300 13892	7100 15656		8000 17640	8750 19294	9500 20948	10000 22050	10900 24035		11500 25358		
REAR UNLADEN	5040 11113	5680 12524		6400 14112	7000 15435	7600 16758	8000 17640	8720 19228		9200 20286		
Machine - Use (kg - lbs)	UNDERGROUND TRANSPORT MACHINE											
ALL AXLES	5600 12348	6300 13892		7100 15656	7750 17089	8250 18191	9000 19845	9500 20948		10000 22050		

COMMERCIAL DESCRIPTION	CAI MSPN	Max. dist./hour km mile	TKPH ⁽¹⁾ TMPH	e mm inch	D mm inch	R' mm inch	RC mm inch	Tread depth mm 32rd	Dual Spacing mm inch	Cap. liter gallon	Measuring ⁽²⁾ (3) Recommended Rim	Other Approved ⁽²⁾ (3) Rims
XMINE D2 PRO L5 *** 20.5 R 25 Tubeless	539641 21899	6 3.7		562 22.1	1532 60.3	692 27.2	4627 182.2	74 93.2		447 118.1	17.00/1.7	17.00/2.0
Bar	3	3.5		4	4.5	5	5.5	6		6.5	7	
Psi	44	51		58	65	73	80	87		94	102	
Machine - Use (kg - lbs)	LOADERS											
FRONT LADEN	6300 13892	7100 15656		8000 17640	8750 19294	9500 20948	10000 22050	10900 24035		11500 25358	13200 29106	
REAR UNLADEN	5040 11113	5680 12524		6400 14112	7000 15435	7600 16758	8000 17640	8720 19228		9200 20286	10560 23285	
Machine - Use (kg - lbs)	UNDERGROUND TRANSPORT MACHINE											
ALL AXLES	5600 12348	6300 13892		7100 15656	7750 17089	8250 18191	9000 19845	9500 20948		10000 22050	11800 26019	

COMMERCIAL DESCRIPTION	CAI MSPN	Max. dist./hour km mile	TKPH ⁽¹⁾ TMPH	e mm inch	D mm inch	R' mm inch	RC mm inch	Tread depth mm 32rd	Dual Spacing mm inch	Cap. liter gallon	Measuring ⁽²⁾ (3) Recommended Rim	Other Approved ⁽²⁾ (3) Rims
XLDN * 20.5 R 25 Tubeless	944959	16 9.9		525 20.7	1483 58.4	640 25.2	4405 173.4	31 39.1		495 130.8	17.00/2.0	17.00/1.7
Bar	2	2.5		3	3.5	4.25	4.5					
Psi	29	36		44	51	62	65					
Machine - Use (kg - lbs)	LOADER											
FRONT LADEN	6250 13781	7000 15435		7700 16979	8400 18522	9500 20948	9900 21830					
REAR UNLADEN	5000 11025	5600 12348		6150 13561	6700 14774	7600 16758	7900 17420					

TIRE LOAD IN KG/LB – TIRE PRESSURE IN BAR/PSI

COMMERCIAL DESCRIPTION	CAI MSPN	Max. dist./hour km mile	TKPH ⁽¹⁾ TMPH	e mm inch	D mm inch	R' mm inch	RC mm inch	Tread depth mm 32rd	Dual Spacing mm inch	Cap. liter gallon	Measuring ^{(2) (3)} Recommended Rim	Other Approved ^{(2) (3)} Rims
X-CRANE + 176F 525/80 R 25 Tubeless	086926 33880	80 49.7		528 20.8	1482 58.3	682 26.9	4508 177.5	28 35.3		500 132.1	17.00/1.7 CR	17.00/2.0
Bar	5	6	7									
Psi	73	87	102									
Machine - Use (kg - lbs) CRANES AND SIMILAR SPECIALIZED MACHINES												
30 KM/H 19 MPH	6700 14774	7700 16979	8900 19625									
40 KM/H 25 MPH	6150 13561	7100 15656	8200 18081									
50 KM/H 31 MPH	6000 13230	6900 15215	8000 17640									
60 KM/H 37 MPH	5900 13010	6800 14994	7850 17309									
65 KM/H 40 MPH	5750 12679	6650 14663	7650 16868									
70 KM/H 43 MPH	5650 12458	6500 14333	7500 16538									
80 KM/H 50 MPH	5350 11797	6150 13561	7100 15656									
90 KM/H 56 MPH	5050 11135	5800 12789	6700 14774									
100 KM/H 62 MPH	4550 10033	5250 11576	6050 13340									

COMMERCIAL DESCRIPTION	CAI MSPN	Max. dist./hour km mile	TKPH ⁽¹⁾ TMPH	e mm inch	D mm inch	R' mm inch	RC mm inch	Tread depth mm 32rd	Dual Spacing mm inch	Cap. liter gallon	Measuring ^{(2) (3)} Recommended Rim	Other Approved ^{(2) (3)} Rims
XL B 179E 525/80 R 25 Tubeless	758060	70 43.5		513 20.2	1486 58.5	678 26.7	4505 177.4	24 30.2		478 126.3	17.00/1.7 CR	17.00/2.0
Bar	2	3	4	5	6	7						
Psi	29	44	58	73	87	102						
Machine - Use (kg - lbs) CRANES AND SIMILAR SPECIALIZED MACHINES												
30 KM/H 19 MPH	3700 8159	4950 10915	6200 13671	7500 16538	8800 19404	10100 22271						
40 KM/H 25 MPH	3525 7773	4700 10364	5900 13010	7150 15766	8350 18412	9600 21168						
50 KM/H 31 MPH	3375 7442	4475 9867	5600 12348	6800 14994	7950 17530	9150 20176						
65 KM/H 40 MPH	3050 6725	4075 8985	5100 11246	6150 13561	7200 15876	8300 18302						
70 KM/H 43 MPH	2850 6284	3800 8379	4750 10474	5750 12679	6750 14884	7750 17089						
80 KM/H 50 MPH	2325 5127	3125 6891	3900 8600	4725 10419	5550 12238	6350 14002						
90 KM/H 56 MPH	2000 4410	2650 5843	3350 7387	4050 8930	4750 10474	5450 12017						
100 KM/H 62 MPH	1700 3749	2275 5016	2850 6284	3450 7607	4050 8930	4650 10253						

TIRE LOAD IN KG/LB – TIRE PRESSURE IN BAR/PSI

COMMERCIAL DESCRIPTION	CAI MSPN	Max. dist./hour km mile	TKPH ⁽¹⁾ TMPH	e mm inch	D mm inch	R' mm inch	RC mm inch	Tread depth mm 32rd	Dual Spacing mm inch	Cap. liter gallon	Measuring ⁽²⁾⁽³⁾ Recommended Rim	Other Approved ⁽²⁾⁽³⁾ Rims
XK A L3 ** 21.00 R 25 Tubeless	270850	14 8.7		609 24	1768 69.6	800 31.5	5343 210.4	33 41.6		700 184.9	15.00/3.0	17.00/3.0
Bar	2	3		4	5	6	7	8				
Psi	29	44		58	73	87	102	116				
Machine - Use (kg - lbs)	UNDERGROUND MINE MACHINES											
ALL AXLES	6600 14553	8500 18743		10400 22932	12300 27122	14250 31421	15650 34508	16600 36603				
Bar	4	4.5		5	5.5	6	6.5	7	7.5	8		
Psi	58	65		73	80	87	94	102	109	116		
Machine - Use (kg - lbs)	TRANSPORT											
STANDARD	8350 18412	9100 20066		9850 21719	10600 23373	11400 25137	12150 26791	12550 27673	12925 28500	13300 29327		

COMMERCIAL DESCRIPTION	CAI MSPN	Max. dist./hour km mile	TKPH ⁽¹⁾ TMPH	e mm inch	D mm inch	R' mm inch	RC mm inch	Tread depth mm 32rd	Dual Spacing mm inch	Cap. liter gallon	Measuring ⁽²⁾⁽³⁾ Recommended Rim	Other Approved ⁽²⁾⁽³⁾ Rims
XS E7 21.00 R 25 Tubeless ⁽⁹⁾	276670			558 22	1750 68.9	767 30.2	5226 205.7	19 23.9		700 184.9	15.00/3.0	
Bar	1	1.5		2	2.5	3	3.5	4	4.5	5	6	
Psi	15	22		29	36	44	51	58	65	73	87	
Machine - Use (kg - lbs)	DESERT CONDITIONS 65 KM/H MAX.											
ROAD IN SINGLE	2500 5513	3050 6725		3750 8269	4500 9923	5250 11576	6000 13230	6650 14663	7350 16207	8050 17750	9500 20948	
ROAD IN TWIN	2250 4961	2745 6053		3375 7442	4050 8930	4725 10419	5400 11907	6435 14189	6615 14586	7245 15975	8550 18853	
TRACK IN SINGLE	2750 6064	3750 8269		4750 10474	5800 12789	6800 14994	7800 17199					
TRACK IN TWIN	2475 5457	3375 7442		4275 9426	5220 11510	6120 13495	7020 15479					
SAND IN SINGLE	4250 9371	6000 13230		7600 16758								
SAND IN TWIN	3825 8434	5400 11907		6840 15082								

COMMERCIAL DESCRIPTION	CAI MSPN	Max. dist./hour km mile	TKPH ⁽¹⁾ TMPH	e mm inch	D mm inch	R' mm inch	RC mm inch	Tread depth mm 32rd	Dual Spacing mm inch	Cap. liter gallon	Measuring ⁽²⁾⁽³⁾ Recommended Rim	Other Approved ⁽²⁾⁽³⁾ Rims
XLD 65 L3T * 550/65 R 25 Tubeless	123570 86785	16 9.9		549 21.6	1400 55.1	600 23.6	4147 163.3	32 40.3		450 118.9	17.00/1.7	17.00/2.0
Bar	2	2.25		2.5	3	3.25	3.5	4	4.25	4.5	5	
Psi	29	33		36	44	47	51	58	62	65	73	
Machine - Use (kg - lbs)	LOADERS											
FRONT LADEN	4900 10805	5350 11797		5800 12789	6700 14774	7150 15766	7600 16758	8500 18743	8950 19735	9400 20727	10300 22712	
REAR UNLADEN	3925 8655	4290 9459		4650 10253	5350 11797	5720 12613	6075 13395	6800 14994	7165 15799	7525 16593	8250 18191	
Machine - Use (kg - lbs)	GRADERS											
ALL AXLES	2940 6483	3210 7078		3480 7673	4020 8864	4290 9459	4560 10055	5100 11246				

COMMERCIAL DESCRIPTION	CAI MSPN	Max. dist./hour km mile	TKPH ⁽¹⁾ TMPH	e mm inch	D mm inch	R' mm inch	RC mm inch	Tread depth mm 32rd	Dual Spacing mm inch	Cap. liter gallon	Measuring ⁽²⁾⁽³⁾ Recommended Rim	Other Approved ⁽²⁾⁽³⁾ Rims
XADN+ E3 ** 185B 23.5 R 25 Tubeless	295773 31373	28 17.4	207 142	602 23.7	1598 62.9	721 28.4	4824 189.9	38 47.9		702 185.5	19.50/2.5	
Bar	2	2.5		3	3.5	3.75	4	4.5	5			
Psi	29	36		44	51	54	58	65	73			
Machine - Use (kg - lbs)	ARTICULATED DUMP TRUCKS											
STANDARD	4930 10871	5650 12458		6380 14068	7100 15656	7450 16427	7800 17199	8550 18853	9250 20396			

TIRE LOAD IN KG/LB – TIRE PRESSURE IN BAR/PSI

COMMERCIAL DESCRIPTION	CAI MSPN	Max. dist./hour km mile	TKPH ⁽¹⁾ TMPH	e mm inch	D mm inch	R' mm inch	RC mm inch	Tread depth mm 32rd	Dual Spacing mm inch	Cap. liter gallon	Measuring ⁽²⁾⁽³⁾ Recommended Rim	Other Approved ⁽²⁾⁽³⁾ Rims
XADN+ B4 E3 ** 185B 23.5 R 25 Tubeless	676673 44634	28 17.4	207 142	602 23.7	1598 62.9	721 28.4	4824 189.9	38 47.9		702 185.5	19.50/2.5	
Bar	2	2.5	3	3.5	3.75	4	4.5	5				
Psi	29	36	44	51	54	58	65	73				
Machine - Use (kg - lbs)	ARTICULATED DUMP TRUCKS											
STANDARD	4930 10871	5650 12458	6380 14068	7100 15656	7450 16427	7800 17199	8550 18853	9250 20396				

COMMERCIAL DESCRIPTION	CAI MSPN	Max. dist./hour km mile	TKPH ⁽¹⁾ TMPH	e mm inch	D mm inch	R' mm inch	RC mm inch	Tread depth mm 32rd	Dual Spacing mm inch	Cap. liter gallon	Measuring ⁽²⁾⁽³⁾ Recommended Rim	Other Approved ⁽²⁾⁽³⁾ Rims
XADN E3T ** 185B 23.5 R 25 Tubeless ⁽⁶⁾	123417 86650	28 17.4		601 23.7	1612 63.5	719 28.3	4846 190.8	38 47.9		654 172.8	19.50/2.5	
Bar	2	2.5	3	3.5	3.75	4	4.5	5			5.5	
Psi	29	36	44	51	54	58	65	73			80	
Machine - Use (kg - lbs)	ARTICULATED DUMP TRUCKS											
STANDARD	5650 12458	6380 14068	7100 15656	7800 17199	8175 18026	8550 18853	9250 20396	9950 21940		10350 22822		

COMMERCIAL DESCRIPTION	CAI MSPN	Max. dist./hour km mile	TKPH ⁽¹⁾ TMPH	e mm inch	D mm inch	R' mm inch	RC mm inch	Tread depth mm 32rd	Dual Spacing mm inch	Cap. liter gallon	Measuring ⁽²⁾⁽³⁾ Recommended Rim	Other Approved ⁽²⁾⁽³⁾ Rims
XTRA DEFEND E4 ** 185B 23.5 R 25 Tubeless	923499 63502	26 16.2	192 132	615 24.2	1628 64.1	731 28.8	4906 193.1	54 68		658 173.8	19.50/2.5	
Bar	2	2.5	3	3.5	3.75	4	4.5	5			5.5	
Psi	29	36	44	51	54	58	65	73			80	
Machine - Use (kg - lbs)	ARTICULATED DUMP TRUCKS											
STANDARD	5650 12458	6380 14068	7100 15656	7800 17199	8175 18026	8550 18853	9250 20396	9950 21940		10350 22822		

COMMERCIAL DESCRIPTION	CAI MSPN	Max. dist./hour km mile	TKPH ⁽¹⁾ TMPH	e mm inch	D mm inch	R' mm inch	RC mm inch	Tread depth mm 32rd	Dual Spacing mm inch	Cap. liter gallon	Measuring ⁽²⁾⁽³⁾ Recommended Rim	Other Approved ⁽²⁾⁽³⁾ Rims
X-SUPER TERRAIN+ E4 ** 185B 23.5 R 25 Tubeless	002583 30105	26 16.2	192 132	607 23.9	1614 63.5	725 28.5	4864 191.5	51 64.3		652 172.3	19.50/2.5	
Bar	2	2.5	3	3.5	3.75	4	4.5	5			5.5	
Psi	29	36	44	51	54	58	65	73			80	
Machine - Use (kg - lbs)	ARTICULATED DUMP TRUCKS											
STANDARD	4930 10871	5650 12458	6380 14068	7100 15656	7450 16427	7800 17199	8550 18853	9250 20396				

COMMERCIAL DESCRIPTION	CAI MSPN	Max. dist./hour km mile	TKPH ⁽¹⁾ TMPH	e mm inch	D mm inch	R' mm inch	RC mm inch	Tread depth mm 32rd	Dual Spacing mm inch	Cap. liter gallon	Measuring ⁽²⁾⁽³⁾ Recommended Rim	Other Approved ⁽²⁾⁽³⁾ Rims
X-SUPER TERRAIN AD E4T ** 185B 23.5 R 25 Tubeless	769360 13954	26 16.2		603 23.7	1623 63.9	728 28.7	4890 192.5	51 64.3		650 171.7	19.50/2.5	
Bar	2	2.5	3	3.5	3.75	4	4.5	5			5.5	
Psi	29	36	44	51	54	58	65	73			80	
Machine - Use (kg - lbs)	ARTICULATED DUMP TRUCKS											
STANDARD	5650 12458	6380 14068	7100 15656	7800 17199	8175 18026	8550 18853	9250 20396	9950 21940		10350 22822		

TIRE LOAD IN KG/LB – TIRE PRESSURE IN BAR/PSI

COMMERCIAL DESCRIPTION	CAI MSPN	Max. dist./hour km mile	TKPH ⁽¹⁾ TMPH	e mm inch	D mm inch	R' mm inch	RC mm inch	Tread depth mm 32rd	Dual Spacing mm inch	Cap. liter gallon	Measuring ⁽²⁾⁽³⁾ Recommended Rim	Other Approved ⁽²⁾⁽³⁾ Rims
XSNPLUS L2T * 23.5 R 25 Tubeless	460452 74539	16 9.9		603 23.7	1610 63.4	687 27	4761 187.4	34 42.8		670 177	19.50/2.5	

Bar	2	2.5	3	3.5	4
Psi	29	36	44	51	58

Machine - Use (kg - lbs)	LOADERS											
FRONT LADEN	8100 17861	9100 20066	10150 22381	11150 24586	12150 26791							
REAR UNLADEN	6500 14333	7300 16097	8100 17861	8900 19625	9700 21389							

Machine - Use (kg - lbs)	GRADERS											
ALL AXLES	4875 10749	5425 11962	6000 13230									

COMMERCIAL DESCRIPTION	CAI MSPN	Max. dist./hour km mile	TKPH ⁽¹⁾ TMPH	e mm inch	D mm inch	R' mm inch	RC mm inch	Tread depth mm 32rd	Dual Spacing mm inch	Cap. liter gallon	Measuring ⁽²⁾⁽³⁾ Recommended Rim	Other Approved ⁽²⁾⁽³⁾ Rims
XTL A L2 * 23.5 R 25 Tubeless ⁽⁵⁾	123445 49977	16 9.9		596 23.5	1614 63.5	686 27	4766 187.6	34 42.8		680 179.7	19.50/2.5	

Bar	2	2.5	3	3.5	4
Psi	29	36	44	51	58

Machine - Use (kg - lbs)	LOADERS											
FRONT LADEN	8100 17861	9100 20066	10150 22381	11150 24586	12150 26791							
REAR UNLADEN	6500 14333	7300 16097	8100 17861	8900 19625	9700 21389							

Machine - Use (kg - lbs)	GRADERS											
ALL AXLES	4875 10749	5425 11962	6000 13230									

COMMERCIAL DESCRIPTION	CAI MSPN	Max. dist./hour km mile	TKPH ⁽¹⁾ TMPH	e mm inch	D mm inch	R' mm inch	RC mm inch	Tread depth mm 32rd	Dual Spacing mm inch	Cap. liter gallon	Measuring ⁽²⁾⁽³⁾ Recommended Rim	Other Approved ⁽²⁾⁽³⁾ Rims
XHA2 L3 * 195A2 23.5 R 25 Tubeless	139147 65791	16 9.9		599 23.6	1612 63.5	690 27.2	4773 187.9	36 45.4		672 177.5	19.50/2.5	

Bar	2	2.5	3	3.5	4
Psi	29	36	44	51	58

Machine - Use (kg - lbs)	LOADERS											
FRONT LADEN	8100 17861	9100 20066	10150 22381	11150 24586	12150 26791							
REAR UNLADEN	6500 14333	7300 16097	8100 17861	8900 19625	9700 21389							

Machine - Use (kg - lbs)	GRADERS											
ALL AXLES	4875 10749	5425 11962	6000 13230									

COMMERCIAL DESCRIPTION	CAI MSPN	Max. dist./hour km mile	TKPH ⁽¹⁾ TMPH	e mm inch	D mm inch	R' mm inch	RC mm inch	Tread depth mm 32rd	Dual Spacing mm inch	Cap. liter gallon	Measuring ⁽²⁾⁽³⁾ Recommended Rim	Other Approved ⁽²⁾⁽³⁾ Rims
XK A L3 ** 23.5 R 25 Tubeless ⁽¹²⁾	263670 05173	14 8.7		632 24.9	1611 63.4	702 27.6	4802 189.1	30 37.8		635 167.8	19.50/2.5	

Bar	2	2.5	3	3.5	4	4.5	5	5.5
Psi	29	36	44	51	58	65	73	80

Machine - Use (kg - lbs)	LOADERS											
FRONT LADEN	8100 17861	9100 20066	10150 22381	11150 24586	12150 26791	13350 29437	13900 30650	14500 31973				
REAR UNLADEN	6500 14333	7300 16097	8100 17861	8900 19625	9700 21389	10700 23594	11160 24608	11600 25578				

Machine - Use (kg - lbs)	UNDERGROUND TRANSPORT MACHINE											
ALL AXLES			7300 16097	8250 18191	9000 19845	9750 21499	10600 23373	11500 25358				

TIRE LOAD IN KG/LB – TIRE PRESSURE IN BAR/PSI

COMMERCIAL DESCRIPTION	CAI MSPN	Max. dist./hour km mile	TKPH ⁽¹⁾ TMPH	e mm inch	D mm inch	R' mm inch	RC mm inch	Tread depth mm 32rd	Dual Spacing mm inch	Cap. liter gallon	Measuring ⁽²⁾⁽³⁾ Recommended Rim	Other Approved ⁽²⁾⁽³⁾ Rims
XLD D2 A LST * 23.5 R 25 Tubeless	123326 58159	10 6.2		612 24.1	1662 65.4	722 28.4	4947 194.8	77 97		600 158.5	19.50/2.5	
Bar	2	2.5		3	3.5	4						
Psi	29	36		44	51	58						
Machine - Use (kg - lbs)	LOADERS											
FRONT LADEN	8100 17861	9100 20066		10150 22381	11150 24586	12150 26791						
REAR UNLADEN	6500 14333	7300 16097		8100 17861	8900 19625	9700 21389						
Machine - Use (kg - lbs)	GRADERS											
ALL AXLES	4875 10749	5425 11962		6000 13230								
Machine - Use (kg - lbs)	UNDERGROUND TRANSPORT MACHINE											
ALL AXLES				7300 16097	8250 18191	9000 19845	9750 21499	10600 23373	11500 25358			
COMMERCIAL DESCRIPTION	CAI MSPN	Max. dist./hour km mile	TKPH ⁽¹⁾ TMPH	e mm inch	D mm inch	R' mm inch	RC mm inch	Tread depth mm 32rd	Dual Spacing mm inch	Cap. liter gallon	Measuring ⁽²⁾⁽³⁾ Recommended Rim	Other Approved ⁽²⁾⁽³⁾ Rims
XMINE D2 L5 ** 23.5 R 25 Tubeless	199408 32199	6 3.7		637 25.1	1656 65.2	751 29.6	5009 197.2	83 104.6		590 155.9	19.50/2.5	
Bar	3	3.5		4	4.5	5	5.5	6	6.5			
Psi	44	51		58	65	73	80	87	94			
Machine - Use (kg - lbs)	LOADERS											
FRONT LADEN	8250 18191	9250 20396		10300 22712	11200 24696	12150 26791	12850 28334	13600 29988	14500 31973			
REAR UNLADEN	6600 14553	7400 16317		8240 18169	8960 19757	9720 21433	10280 22667	10880 23990	11600 25578			
Machine - Use (kg - lbs)	UNDERGROUND TRANSPORT MACHINE											
ALL AXLES	7300 16097	8250 18191		9000 19845	9750 21499	10600 23373	11500 25358	12150 26791	12850 28334			
COMMERCIAL DESCRIPTION	CAI MSPN	Max. dist./hour km mile	TKPH ⁽¹⁾ TMPH	e mm inch	D mm inch	R' mm inch	RC mm inch	Tread depth mm 32rd	Dual Spacing mm inch	Cap. liter gallon	Measuring ⁽²⁾⁽³⁾ Recommended Rim	Other Approved ⁽²⁾⁽³⁾ Rims
XMINE D2 PRO L5 *** 23.5 R 25 Tubeless	813419 10697	6 3.7		643 25.3	1660 65.4	746 29.4	5004 197	83 104.6		590 155.9	19.50/2.5	
Bar	3	3.5		4	4.5	5	5.5	6	6.5	7		
Psi	44	51		58	65	73	80	87	94	102		
Machine - Use (kg - lbs)	LOADERS											
FRONT LADEN	8250 18191	9250 20396		10300 22712	11200 24696	12150 26791	12850 28334	13600 29988	14400 31752	17000 37485		
REAR UNLADEN	6600 14553	7400 16317		8240 18169	8960 19757	9720 21433	10280 22667	10880 23990	11600 25578	13600 29988		
Machine - Use (kg - lbs)	UNDERGROUND TRANSPORT MACHINE											
ALL AXLES	7300 16097	8250 18191		9000 19845	9750 21499	10600 23373	11500 25358	12150 26791	12850 28334	15000 33075		

TIRE LOAD IN KG/LB – TIRE PRESSURE IN BAR/PSI

COMMERCIAL DESCRIPTION	CAI MSPN	Max. dist./hour km mile	TKPH ⁽¹⁾ TMPH	e mm inch	D mm inch	R' mm inch	RC mm inch	Tread depth mm 32rd	Dual Spacing mm inch	Cap. liter gallon	Measuring ⁽²⁾⁽³⁾ Recommended Rim	Other Approved ⁽²⁾⁽³⁾ Rims
XMINE D2 L5R * 23.5 R 25 Tubeless ⁽⁸⁾	266931 14357	6 3.7		637 25.1	1656 65.2	707 27.8	4898 192.8	83 104.6		590 155.9	19.50/2.5	
Bar	2	2.5		3	3.5	4	4.5	5	5.5			
Psi	29	36		44	51	58	65	73	80			
Machine - Use (kg - lbs)	LOADERS											
FRONT LADEN	8100 17861	9100 20066		10150 22381	11150 24586	12150 26791						
REAR UNLADEN	6500 14333	7300 16097		8100 17861	8900 19625	9700 21389						
Machine - Use (kg - lbs)	UNDERGROUND TRANSPORT MACHINE											
ALL AXLES				7300 16097	8250 18191	9000 19845	9750 21499	10600 23373	11500 25358			

COMMERCIAL DESCRIPTION	CAI MSPN	Max. dist./hour km mile	TKPH ⁽¹⁾ TMPH	e mm inch	D mm inch	R' mm inch	RC mm inch	Tread depth mm 32rd	Dual Spacing mm inch	Cap. liter gallon	Measuring ⁽²⁾⁽³⁾ Recommended Rim	Other Approved ⁽²⁾⁽³⁾ Rims
XLDN * 23.5 R 25 Tubeless	387171	16 9.9		600 23.6	1609 63.3	682 26.9	4748 186.9	34 42.8		660 174.4	19.50/2.5	
Bar	2	2.5		3	3.5	4						
Psi	29	36		44	51	58						
Machine - Use (kg - lbs)	LOADER											
FRONT LADEN	8100 17861	9100 20066		10150 22381	11150 24586	12150 26791						
REAR UNLADEN	6500 14333	7300 16097		8100 17861	8900 19625	9700 21389						

COMMERCIAL DESCRIPTION	CAI MSPN	Max. dist./hour km mile	TKPH ⁽¹⁾ TMPH	e mm inch	D mm inch	R' mm inch	RC mm inch	Tread depth mm 32rd	Dual Spacing mm inch	Cap. liter gallon	Measuring ⁽²⁾⁽³⁾ Recommended Rim	Other Approved ⁽²⁾⁽³⁾ Rims
XL B E2 188E 23.5 R 25 Tubeless	123474 75781	70 43.5		598 23.5	1619 63.7	737 29	4905 193.1	27 34		700 184.9	19.50/2.5	
Bar	2	3		4	5	6	7					
Psi	29	44		58	73	87	102					
Machine - Use (kg - lbs)	CRANES AND SIMILAR SPECIALIZED MACHINES											
30 KM/H 19 MPH	4750 10474	6350 14002		7950 17530	9600 21168	11300 24917	13000 28665					
40 KM/H 25 MPH	4550 10033	6050 13340		7550 16648	9200 20286	10800 23814	12400 27342					
50 KM/H 31 MPH	4325 9537	5750 12679		7200 15876	8750 19294	10300 22712	11800 26019					
65 KM/H 40 MPH	3925 8655	5200 11466		6550 14443	7900 17420	9300 20507	10700 23594					
70 KM/H 43 MPH	3660 8070	4880 10760		6100 13451	7400 16317	8700 19184	10000 22050					
80 KM/H 50 MPH	3000 6615	4000 8820		5000 11025	6050 13340	7150 15766	8200 18081					
90 KM/H 56 MPH	2550 5623	3425 7552		4250 9371	5200 11466	6100 13451	7000 15435					
100 KM/H 62 MPH	2100 4631	2925 6450		3650 8048	4400 9702	5200 11466	6000 13230					

TIRE LOAD IN KG/LB – TIRE PRESSURE IN BAR/PSI

COMMERCIAL DESCRIPTION	CAI MSPN	Max. dist./hour km mile	TKPH ⁽¹⁾ TMPH	e mm inch	D mm inch	R' mm inch	RC mm inch	Tread depth mm 32rd	Dual Spacing mm inch	Cap. liter gallon	Measuring ⁽²⁾⁽³⁾ Recommended Rim	Other Approved ⁽²⁾⁽³⁾ Rims
XLD 65 L3T * 600/65 R 25 Tubeless	063799 82704	16 9.9		622 24.5	1429 56.3	617 24.3	4246 167.2	34 42.8		484 127.9	19.50/2.5	17.00/1.7 17.00/2.0

Bar	2	2.5	3	3.5	4	4.5	5					
Psi	29	36	44	51	58	65	73					

Machine - Use (kg - lbs) **LOADERS**

FRONT LADEN	5650 12458	6675 14718	7700 16979	8725 19239	9750 21499	10725 23649	11700 25799					
REAR UNLADEN	4520 9967	5340 11775	6160 13583	6980 15391	7800 17199	8580 18919	9360 20639					

Machine - Use (kg - lbs) **GRADERS**

ALL AXLES	3390 7475	4005 8831	4600 10143									
------------------	--------------	--------------	---------------	--	--	--	--	--	--	--	--	--

COMMERCIAL DESCRIPTION	CAI MSPN	Max. dist./hour km mile	TKPH ⁽¹⁾ TMPH	e mm inch	D mm inch	R' mm inch	RC mm inch	Tread depth mm 32rd	Dual Spacing mm inch	Cap. liter gallon	Measuring ⁽²⁾⁽³⁾ Recommended Rim	Other Approved ⁽²⁾⁽³⁾ Rims
XAD 65-1 SUPER E3T ** 180B 650/65 R 25 Tubeless	840573 89647	28 17.4	179 123	630 24.8	1494 58.8	669 26.3	4498 177.1	40 50.4		595 157.2	19.50/2.5	22.00/3.0

Bar	2.5	3	3.5	4								
Psi	36	44	51	58								

Machine - Use (kg - lbs) **ARTICULATED DUMP TRUCKS**

STANDARD	5450 12017	6300 13892	7150 15766	8000 17640								
-----------------	---------------	---------------	---------------	---------------	--	--	--	--	--	--	--	--

COMMERCIAL DESCRIPTION	CAI MSPN	Max. dist./hour km mile	TKPH ⁽¹⁾ TMPH	e mm inch	D mm inch	R' mm inch	RC mm inch	Tread depth mm 32rd	Dual Spacing mm inch	Cap. liter gallon	Measuring ⁽²⁾⁽³⁾ Recommended Rim	Other Approved ⁽²⁾⁽³⁾ Rims
XLD 65 L3T * 650/65 R 25 Tubeless	123820 90278	16 9.9		634 25	1498 59	637 25.1	4425 174.2	37 46.6		596 157.5	19.50/2.5	

Bar	2	2.5	3	3.5	4	4.5	5					
Psi	29	36	44	51	58	65	73					

Machine - Use (kg - lbs) **LOADERS**

FRONT LADEN	6700 14774	7900 17420	9100 20066	10300 22712	11500 25358	12700 28004	13900 30650					
REAR UNLADEN	5400 11907	6350 14002	7300 16097	8250 18191	9200 20286	10150 22381	11100 24476					

Machine - Use (kg - lbs) **GRADERS**

ALL AXLES	4100 9041	4800 10584	5500 12128	6200 13671	6900 15215	7600 16758	8300 18302					
------------------	--------------	---------------	---------------	---------------	---------------	---------------	---------------	--	--	--	--	--

COMMERCIAL DESCRIPTION	CAI MSPN	Max. dist./hour km mile	TKPH ⁽¹⁾ TMPH	e mm inch	D mm inch	R' mm inch	RC mm inch	Tread depth mm 32rd	Dual Spacing mm inch	Cap. liter gallon	Measuring ⁽²⁾⁽³⁾ Recommended Rim	Other Approved ⁽²⁾⁽³⁾ Rims
XADN+ B4 E3 ** 193B 26.5 R 25 Tubeless	238546 44737	28 17.4	258 177	687 27	1726 68	773 30.4	5196 204.6	41 51.7		908 239.9	22.00/3.0	22.00/3.0 IF

Bar	2	2.5	3	3.25	3.5	4	4.5	5				
Psi	29	36	44	47	51	58	65	73				

Machine - Use (kg - lbs) **ARTICULATED DUMP TRUCKS**

STANDARD		6500 14333	7500 16538	8000 17640	8500 18743	9500 20948	10500 23153	11500 25358				
-----------------	--	---------------	---------------	---------------	---------------	---------------	----------------	----------------	--	--	--	--

COMMERCIAL DESCRIPTION	CAI MSPN	Max. dist./hour km mile	TKPH ⁽¹⁾ TMPH	e mm inch	D mm inch	R' mm inch	RC mm inch	Tread depth mm 32rd	Dual Spacing mm inch	Cap. liter gallon	Measuring ⁽²⁾⁽³⁾ Recommended Rim	Other Approved ⁽²⁾⁽³⁾ Rims
XADN+ E3 ** 193B 26.5 R 25 Tubeless	154324 72625	28 17.4	258 177	687 27	1726 68	773 30.4	5196 204.6	41 51.7		908 239.9	22.00/3.0	22.00/3.0 IF

Bar	2	2.5	3	3.25	3.5	4	4.5	5				
Psi	29	36	44	47	51	58	65	73				

Machine - Use (kg - lbs) **ARTICULATED DUMP TRUCKS**

STANDARD		6500 14333	7500 16538	8000 17640	8500 18743	9500 20948	10500 23153	11500 25358				
-----------------	--	---------------	---------------	---------------	---------------	---------------	----------------	----------------	--	--	--	--

TIRE LOAD IN KG/LB – TIRE PRESSURE IN BAR/PSI

COMMERCIAL DESCRIPTION	CAI MSPN	Max. dist./hour km mile	TKPH ⁽¹⁾ TMPH	e mm inch	D mm inch	R' mm inch	RC mm inch	Tread depth mm 32rd	Dual Spacing mm inch	Cap. liter gallon	Measuring ⁽²⁾⁽³⁾ Recommended Rim	Other Approved ⁽²⁾⁽³⁾ Rims
XADN E3T ** 193B 26.5 R 25 Tubeless ⁽⁸⁾	123427 72625	28 17.4		675 26.6	1728 68	769 30.3	5190 204.3	41 51.7		900 237.8	22.00/3.0	22.00/3.0 IF
Bar	2	2.5		3	3.25	3.5		4	4.5			
Psi	29	36		44	47	51		58	65			
Machine - Use (kg - lbs)	ARTICULATED DUMP TRUCKS											
STANDARD	6500 14333	7500 16538		8500 18743	9000 19845	9500 20948	10500 23153	11500 25358				
X-SUPER TERRAIN+ E4 ** 193B 26.5 R 25 Tubeless	039476 35486	24 14.9	221 151	691 27.2	1749 68.9	783 30.8	5266 207.3	54 68		862 227.7	22.00/3.0	22.00/3.0 IF
Bar	2	2.5		3	3.25	3.5		4	4.5	5		
Psi	29	36		44	47	51		58	65	73		
Machine - Use (kg - lbs)	ARTICULATED DUMP TRUCKS											
STANDARD		6500 14333	7500 16538	8000 17640	8500 18743	9500 20948	10500 23153	11500 25358				
XHA2 L3 ** 209A2 26.5 R 25 Tubeless	893825 65348	16 9.9		678 26.7	1732 68.2	740 29.1	5125 201.8	41 51.7		879 232.2	22.00/3.0	22.00/3.0 IF
Bar	2	2.5		3	3.5	4		4.5	5	5.5		
Psi	29	36		44	51	58		65	73	80		
Machine - Use (kg - lbs)	LOADERS											
FRONT LADEN	9300 20507	10300 22712		12150 26791	13600 29988	15000 33075	16150 35611	17350 38257	18500 40793			
REAR UNLADEN	7450 16427	8250 18191		9700 21389	10900 24035	12000 26460	12900 28445	13900 30650	14800 32634			
Machine - Use (kg - lbs)	GRADERS											
ALL AXLES	5400 11907	6400 14112		7500 16538								
XK A L3 ** 26.5 R 25 Tubeless (8 - 12)	273360 45856	14 8.7		714 28.1	1734 68.3	763 30	5186 204.2	35 44.1		855 225.9	22.00/3.0	22.00/3.0 IF
Bar	3	4		4.5	5	5.5		6	6.5			
Psi	44	58		65	73	80		87	94			
Machine - Use (kg - lbs)	LOADERS											
FRONT LADEN	10300 22712	12850 28334		14000 30870	15000 33075	16000 35280	17000 37485	18500 40793				
REAR UNLADEN	8240 18169	10280 22667		11200 24696	12000 26460	12800 28224	13600 29988	14800 32634				
Machine - Use (kg - lbs)	UNDERGROUND TRANSPORT MACHINE											
ALL AXLES	9000 19845	11200 24696		12500 27563	13200 29106	14500 31973	15500 34178	16500 36383				

TIRE LOAD IN KG/LB – TIRE PRESSURE IN BAR/PSI

COMMERCIAL DESCRIPTION	CAI MSPN	Max. dist./hour km mile	TKPH ⁽¹⁾ TMPH	e mm inch	D mm inch	R' mm inch	RC mm inch	Tread depth mm 32rd	Dual Spacing mm inch	Cap. liter gallon	Measuring ⁽²⁾⁽³⁾ Recommended Rim	Other Approved ⁽²⁾⁽³⁾ Rims
XSM DN L3S 26.5 R 25 Tubeless ⁽⁹⁾	123022	10 6.2		724 28.5	1726 68	770 30.3	5189 204.3	48 60.5		890 235.1	22.00/3.0	22.00/3.0 IF
Bar	2	2.5		3	3.5	4	4.5	5	5.5			
Psi	29	36		44	51	58	65	73	80			
Machine - Use (kg - lbs) LOADERS												
FRONT LADEN	9300 20507	10300 22712		12150 26791	13600 29988	15000 33075	16150 35611	17350 38257	18500 40793			
REAR UNLADEN	7450 16427	8250 18191		9700 21389	10900 24035	12000 26460	12900 28445	13900 30650	14800 32634			
Machine - Use (kg - lbs) UNDERGROUND TRANSPORT MACHINE												
ALL AXLES				9000 19845	10300 22712	11200 24696	12500 27563	13200 29106	14500 31973			
XSM DN+ L3S *** 26.5 R 25 Tubeless	569259 29138	10 6.2		704 27.7	1727 68	770 30.3	5192 204.4	44 55.4		836 220.9	22.00/3.0	22.00/3.0 IF
Bar	3	4		4.5	5	5.5	6	6.5	7	7.5	8	
Psi	44	58		65	73	80	87	94	102	109	116	
Machine - Use (kg - lbs) LOADERS												
FRONT LADEN	10300 22712	12850 28334		14000 30870	15000 33075	16000 35280	17000 37485	18500 40793	19500 42998	20600 45423	21200 46746	
REAR UNLADEN	9100 20066	10600 23373		11450 25247	12300 27122	13100 28886	13800 30429	14650 32303	15400 33957	16200 35721	16850 37154	
XTRA DEFEND 193B 26.5 R 25 Tubeless	740832 61680	24 14.9	221 151	698 27.5	1740 68.5	775 30.5	5228 205.8	59.5 75		870 229.9	22.00/3.0	22.00/3.0 IF
Bar	2	2.5		3	3.25	3.5	4	4.5				
Psi	29	36		44	47	51	58	65				
Machine - Use (kg - lbs) ARTICULATED DUMP TRUCKS												
STANDARD	6500 14333	7500 16538		8500 18743	9000 19845	9500 20948	10500 23153	11500 25358				
XLD D1 A L4R * 26.5 R 25 Tubeless	123495 70042	14 8.7		690 27.2	1803 71	780 30.7	5360 211	53 66.8		947 250.2	22.00/3.0	22.00/3.0 IF
Bar	2	2.5		3	3.5	4	4.5	5	5.5			
Psi	29	36		44	51	58	65	73	80			
Machine - Use (kg - lbs) LOADERS												
FRONT LADEN	9300 20507	10300 22712		12150 26791	13600 29988	15000 33075	16150 35611	17350 38257	18500 40793			
REAR UNLADEN	7450 16427	8250 18191		9700 21389	10900 24035	12000 26460	12900 28445	13900 30650	14800 32634			
Machine - Use (kg - lbs) UNDERGROUND TRANSPORT MACHINE												
ALL AXLES				9000 19845	10300 22712	11200 24696	12500 27563	13200 29106	14500 31973			

TIRE LOAD IN KG/LB – TIRE PRESSURE IN BAR/PSI

COMMERCIAL DESCRIPTION	CAI MSPN	Max. dist./hour km mile	TKPH ⁽¹⁾ TMPH	e mm inch	D mm inch	R' mm inch	RC mm inch	Tread depth mm 32rd	Dual Spacing mm inch	Cap. liter gallon	Measuring ⁽²⁾⁽³⁾ Recommended Rim	Other Approved ⁽²⁾⁽³⁾ Rims
XLD D2 A LST * 26.5 R 25 Tubeless	123094 33046	10 6.2		687 27	1800 70.9	778 30.6	5348 210.6	87 109.6		825 218	22.00/3.0	22.00/3.0 IF
Bar	2	2.5		3	3.5	4	4.5	5	5.5			
Psi	29	36		44	51	58	65	73	80			
Machine - Use (kg - lbs)	LOADERS											
FRONT LADEN	9300 20507	10300 22712		12150 26791	13600 29988	15000 33075	16150 35611	17350 38257	18500 40793			
REAR UNLADEN	7450 16427	8250 18191		9700 21389	10900 24035	12000 26460	12900 28445	13900 30650	14800 32634			
Machine - Use (kg - lbs)	UNDERGROUND TRANSPORT MACHINE											
ALL AXLES				9000 19845	10300 22712	11200 24696	12500 27563	13200 29106	14500 31973			

COMMERCIAL DESCRIPTION	CAI MSPN	Max. dist./hour km mile	TKPH ⁽¹⁾ TMPH	e mm inch	D mm inch	R' mm inch	RC mm inch	Tread depth mm 32rd	Dual Spacing mm inch	Cap. liter gallon	Measuring ⁽²⁾⁽³⁾ Recommended Rim	Other Approved ⁽²⁾⁽³⁾ Rims
XMINE D2 L5 ** 26.5 R 25 Tubeless	164572 33205	6 3.7		718 28.3	1795 70.7	807 31.8	5413 213.1	91 114.6		812 214.5	22.00/3.0	22.00/3.0 IF
Bar	3	4		4.5	5	5.5	6	6.5				
Psi	44	58		65	73	80	87	94				
Machine - Use (kg - lbs)	LOADERS											
FRONT LADEN	10300 22712	12850 28334		14000 30870	15000 33075	16000 35280	17000 37485	18500 40793				
REAR UNLADEN	8240 18169	10280 22667		11200 24696	12000 26460	12800 28224	13600 29988	14800 32634				
Machine - Use (kg - lbs)	UNDERGROUND TRANSPORT MACHINE											
ALL AXLES	9000 19845	11200 24696		12500 27563	13200 29106	14500 31973	15500 34178	16500 36383				

COMMERCIAL DESCRIPTION	CAI MSPN	Max. dist./hour km mile	TKPH ⁽¹⁾ TMPH	e mm inch	D mm inch	R' mm inch	RC mm inch	Tread depth mm 32rd	Dual Spacing mm inch	Cap. liter gallon	Measuring ⁽²⁾⁽³⁾ Recommended Rim	Other Approved ⁽²⁾⁽³⁾ Rims
XMINE D2 L5R * 26.5 R 25 Tubeless ⁽⁸⁾	273400 21337	6 3.7		718 28.3	1794 70.6	751 29.6	5269 207.4	91 114.6		820 216.6	22.00/3.0	22.00/3.0 IF
Bar	2	2.5		3	3.5	4	4.5	5	5.5			
Psi	29	36		44	51	58	65	73	80			
Machine - Use (kg - lbs)	LOADERS											
FRONT LADEN	9300 20507	10300 22712		12150 26791	13600 29988	15000 33075	16150 35611	17350 38257	18500 40793			
REAR UNLADEN	7450 16427	8250 18191		9700 21389	10900 24035	12000 26460	12900 28445	13900 30650	14800 32634			
Machine - Use (kg - lbs)	UNDERGROUND TRANSPORT MACHINE											
ALL AXLES				9000 19845	10300 22712	11200 24696	12500 27563	13200 29106	14500 31973			

COMMERCIAL DESCRIPTION	CAI MSPN	Max. dist./hour km mile	TKPH ⁽¹⁾ TMPH	e mm inch	D mm inch	R' mm inch	RC mm inch	Tread depth mm 32rd	Dual Spacing mm inch	Cap. liter gallon	Measuring ⁽²⁾⁽³⁾ Recommended Rim	Other Approved ⁽²⁾⁽³⁾ Rims
XMINE D2 PRO L5 *** 26.5 R 25 Tubeless ⁽⁸⁾	858472 21836	724 28.5	1789 70.4	797 31.4	5377 211.7	91 114.6		812 214.5		820 216.6	22.00/3.0	22.00/3.0 IF
Bar	3	4		4.5	5	5.5	6	6.5	7			
Psi	44	58		65	73	80	87	94	102			
Machine - Use (kg - lbs)	LOADERS											
FRONT LADEN	10300 22712	12850 28334		14000 30870	15000 33075	16000 35280	17000 37485	18500 40793	21200 46746			
REAR UNLADEN	8240 18169	10500 23153		11200 24696	12000 26460	12800 28224	13600 29988	14800 32634	16960 37397			
Machine - Use (kg - lbs)	UNDERGROUND TRANSPORT MACHINE											
ALL AXLES	9000 19845	11500 25358		12500 27563	13200 29106	14500 31973	15500 34178	16500 36383	19000 41895			

TIRE LOAD IN KG/LB – TIRE PRESSURE IN BAR/PSI

COMMERCIAL DESCRIPTION	CAI MSPN	Max. dist./hour km mile	TKPH ⁽¹⁾ TMPH	e mm inch	D mm inch	R' mm inch	RC mm inch	Tread depth mm 32rd	Dual Spacing mm inch	Cap. liter gallon	Measuring ⁽²⁾⁽³⁾ Recommended Rim	Other Approved ⁽²⁾⁽³⁾ Rims
XSM D2+ L5S ** 26.5 R 25 Tubeless	995669 93041	4 2.5		692 27.2	1790 70.5	806 31.7	5400 212.6	102 128.5		771 203.7	22.00/3.0	22.00/3.0 IF
Bar	3	4		4.5	5	5.5	6	6.5				
Psi	44	58		65	73	80	87	94				
Machine - Use (kg - lbs)	LOADERS											
FRONT LADEN	10300 22712	12850 28334		14000 30870	15000 33075	16000 35280	17000 37485	18500 40793				
REAR UNLADEN	8240 18169	10280 22667		11200 24696	12000 26460	12800 28224	13600 29988	14800 32634				

COMMERCIAL DESCRIPTION	CAI MSPN	Max. dist./hour km mile	TKPH ⁽¹⁾ TMPH	e mm inch	D mm inch	R' mm inch	RC mm inch	Tread depth mm 32rd	Dual Spacing mm inch	Cap. liter gallon	Measuring ⁽²⁾⁽³⁾ Recommended Rim	Other Approved ⁽²⁾⁽³⁾ Rims
XSM D2+ PRO L5S *** 26.5 R 25 Tubeless	183806 74661	4 2.5		693 27.3	1788 70.4	798 31.4	5376 211.7	102 128.5		771 203.7	22.00/3.0	22.00/3.0 IF
Bar	3	4		4.5	5	5.5	6	6.5		7		
Psi	44	58		65	73	80	87	94		102		
Machine - Use (kg - lbs)	LOADER											
FRONT LADEN	10300 22712	12850 28334		14000 30870	15000 33075	16000 35280	17000 37485	18500 40793		21200 46746		
REAR UNLADEN	8240 18169	10500 23153		11200 24696	12000 26460	12800 28224	13600 29988	14800 32634		16960 37397		

COMMERCIAL DESCRIPTION	CAI MSPN	Max. dist./hour km mile	TKPH ⁽¹⁾ TMPH	e mm inch	D mm inch	R' mm inch	RC mm inch	Tread depth mm 32rd	Dual Spacing mm inch	Cap. liter gallon	Measuring ⁽²⁾⁽³⁾ Recommended Rim	Other Approved ⁽²⁾⁽³⁾ Rims
XTXL E4 **** L4 *** 214A2 26.5 R 25 Tubeless	039149 06534	14 8.7 if load per tire <=18.5 t		687 27	1722 67.8	755 29.7	5143 202.5	54 68		789 208.5	22.00/3.0	22.00/3.0 IF
		12 7.5 if load per tire >18.5 t										
Bar	3	4		4.5	5	5.5	6	6.5		7	7.5	8
Psi	44	58		65	73	80	87	94		102	109	116
Machine - Use (kg - lbs)	LOADER LOAD PER TIRE <= 18.5 T											
FRONT LADEN	10300 22712	12850 28334		14000 30870	15000 33075	16000 35280	17000 37485	18500 40793				
REAR UNLADEN	8240 18169	10280 22667		11200 24696	12000 26460	12800 28224	13600 29988	14800 32634				
Machine - Use (kg - lbs)	LOADER LOAD PER TIRE > 18.5 T											
FRONT LADEN										19500 42998	20600 45423	21200 46746
REAR UNLADEN										15600 34398	16480 36338	16960 37397
Machine - Use (kg - lbs)	UNDERGROUND TRANSPORT MACHINE											
ALL AXLES	9000 19845	11200 24696		12500 27563	13200 29106	14500 31973	15500 34178	16500 36383		17000 37485	18000 39690	19000 41895

COMMERCIAL DESCRIPTION	CAI MSPN	Max. dist./hour km mile	TKPH ⁽¹⁾ TMPH	e mm inch	D mm inch	R' mm inch	RC mm inch	Tread depth mm 32rd	Dual Spacing mm inch	Cap. liter gallon	Measuring ⁽²⁾⁽³⁾ Recommended Rim	Other Approved ⁽²⁾⁽³⁾ Rims
XTXL E4 **** 26.5 R 25 Tubeless	321951 81060			687 27	1722 67.8	763 30	5164 203.3	54 68		817 215.9	22.00/3.0	22.00/3.0 IF
Bar	3	4		4.5	5	5.5	6	6.5		7	7.5	8
Psi	44	58		65	73	80	87	94		102	109	116
Machine - Use (kg - lbs)	UNDERGROUND TRANSPORT MACHINE											
ALL AXLES	9000 19845	11200 24696		12500 27563	13200 29106	14500 31973	15500 34178	16500 36383		17000 37485	18000 39690	19000 41895

TIRE LOAD IN KG/LB – TIRE PRESSURE IN BAR/PSI

COMMERCIAL DESCRIPTION	CAI MSPN	Max. dist./hour km mile	TKPH ⁽¹⁾ TMPH	e mm inch	D mm inch	R' mm inch	RC mm inch	Tread depth mm 32rd	Dual Spacing mm inch	Cap. liter gallon	Measuring ⁽²⁾⁽³⁾ Recommended Rim	Other Approved ⁽²⁾⁽³⁾ Rims
XL B E2 195E 26.5 R 25 Tubeless	123484 44209	70 43.5		670 26.4	1752 69	800 31.5	5313 209.2	30 37.8		860 227.2	22.00/3.0	
Bar	2	3		4	5	6	7					
Psi	29	44		58	73	87	102					
Machine - Use (kg - lbs) CRANES AND SIMILAR SPECIALIZED MACHINES												
30 KM/H 19 MPH	5850 12899	7800 17199		9750 21499	11800 26019	13800 30429	15800 34839					
40 KM/H 25 MPH	5600 12348	7450 16427		9300 20507	11200 24696	13100 28886	15100 33296					
50 KM/H 31 MPH	5300 11687	7100 15656		8850 19514	10700 23594	12500 27563	14300 31532					
65 KM/H 40 MPH	4825 10639	6400 14112		8050 17750	9700 21389	11300 24917	13000 28665					
70 KM/H 43 MPH	4500 9923	6000 13230		7500 16538	9050 19955	10600 23373	12150 26791					
80 KM/H 50 MPH	3700 8159	4925 10860		6150 13561	7400 16317	8700 19184	9950 21940					
90 KM/H 56 MPH	3150 6946	4200 9261		5250 11576	6350 14002	7400 16317	8400 18522					
100 KM/H 62 MPH	2700 5954	3600 7938		4500 9923	5450 12017	6350 14002	7300 16097					

COMMERCIAL DESCRIPTION	CAI MSPN	Max. dist./hour km mile	TKPH ⁽¹⁾ TMPH	e mm inch	D mm inch	R' mm inch	RC mm inch	Tread depth mm 32rd	Dual Spacing mm inch	Cap. liter gallon	Measuring ⁽²⁾⁽³⁾ Recommended Rim	Other Approved ⁽²⁾⁽³⁾ Rims
XADN+ E3 ** 200B 29.5 R 25 Tubeless	597428 40883	28 17.4	314 215	767 30.2	1858 73.1	826 32.5	5578 219.6	44 55.4		1221 322.6	25.00/3.5	
Bar	2	2.5		3	3.25	3.5	4	4.5		5		
Psi	29	36		44	47	51	58	65		73		
Machine - Use (kg - lbs) ARTICULATED DUMP TRUCKS												
STANDARD		7800 17199		9050 19955	9675 21333	10300 22712	11500 25358	12750 28114		14000 30870		

COMMERCIAL DESCRIPTION	CAI MSPN	Max. dist./hour km mile	TKPH ⁽¹⁾ TMPH	e mm inch	D mm inch	R' mm inch	RC mm inch	Tread depth mm 32rd	Dual Spacing mm inch	Cap. liter gallon	Measuring ⁽²⁾⁽³⁾ Recommended Rim	Other Approved ⁽²⁾⁽³⁾ Rims
X-SUPER TERRAIN+ E4 ** 200B 29.5 R 25 Tubeless	973483 35924	22 13.7	246 169	769 30.3	1869 73.6	836 32.9	5625 221.5	60 75.6		1152 304.4	25.00/3.5	
Bar	2	2.5		3	3.25	3.5	4	4.5		5		
Psi	29	36		44	47	51	58	65		73		
Machine - Use (kg - lbs) ARTICULATED DUMP TRUCKS												
STANDARD		7800 17199		9050 19955	9675 21333	10300 22712	11500 25358	12750 28114		14000 30870		

TIRE LOAD IN KG/LB – TIRE PRESSURE IN BAR/PSI

COMMERCIAL DESCRIPTION	CAI MSPN	Max. dist./hour km mile	TKPH ⁽¹⁾ TMPH	e mm inch	D mm inch	R' mm inch	RC mm inch	Tread depth mm 32rd	Dual Spacing mm inch	Cap. liter gallon	Measuring ⁽²⁾⁽³⁾ Recommended Rim	Other Approved ⁽²⁾⁽³⁾ Rims
XHA2 L3 ** 216A2 29.5 R 25 Tubeless	961307 82493	16 9.9		747 29.4	1860 73.2	795 31.3	5504 216.7	43 54.2		1177 311	25.00/3.5	
Bar	2	2.5		3	3.5	4	4.5	5		5.5		
Psi	29	36		44	51	58	65	73		80		
Machine - Use (kg - lbs)	LOADERS											
FRONT LADEN	11150 24586	12300 27122		14600 32193	16300 35942	18000 39690	19450 42887	20950 46195		22400 49392		
REAR UNLADEN	8900 19625	9850 21719		11700 25799	13050 28775	14400 31752	15550 34288	16750 36934		17900 39470		

COMMERCIAL DESCRIPTION	CAI MSPN	Max. dist./hour km mile	TKPH ⁽¹⁾ TMPH	e mm inch	D mm inch	R' mm inch	RC mm inch	Tread depth mm 32rd	Dual Spacing mm inch	Cap. liter gallon	Measuring ⁽²⁾⁽³⁾ Recommended Rim	Other Approved ⁽²⁾⁽³⁾ Rims
XK A L3 ** 29.5 R 25 Tubeless (8 - 12)	273560 28209	14 8.7		793 31.2	1862 73.3	802 31.6	5525 217.5	38 47.9		1145 302.5	25.00/3.5	
Bar	2	2.5		3	3.5	4	4.5	5		5.5		
Psi	29	36		44	51	58	65	73		80		
Machine - Use (kg - lbs)	LOADERS											
FRONT LADEN	11150 24586	12300 27122		14600 32193	16300 35942	18000 39690	19450 42887	20950 46195		22400 49392		
REAR UNLADEN	8900 19625	9850 21719		11700 25799	13050 28775	14400 31752	15550 34288	16750 36934		17900 39470		

COMMERCIAL DESCRIPTION	CAI MSPN	Max. dist./hour km mile	TKPH ⁽¹⁾ TMPH	e mm inch	D mm inch	R' mm inch	RC mm inch	Tread depth mm 32rd	Dual Spacing mm inch	Cap. liter gallon	Measuring ⁽²⁾⁽³⁾ Recommended Rim	Other Approved ⁽²⁾⁽³⁾ Rims
Machine - Use (kg - lbs)	UNDERGROUND TRANSPORT MACHINE											
ALL AXLES				10900 24035	12150 26791	13600 29988	15000 33075	16000 35280		17500 38588		

COMMERCIAL DESCRIPTION	CAI MSPN	Max. dist./hour km mile	TKPH ⁽¹⁾ TMPH	e mm inch	D mm inch	R' mm inch	RC mm inch	Tread depth mm 32rd	Dual Spacing mm inch	Cap. liter gallon	Measuring ⁽²⁾⁽³⁾ Recommended Rim	Other Approved ⁽²⁾⁽³⁾ Rims
XLD D1 A L4R * 29.5 R 25 Tubeless	123741 90432	14 8.7		769 30.3	1906 75	821 32.3	5656 222.7	58 73.1		1171 309.4	25.00/3.5	
Bar	2	2.5		3	3.5	4	4.5	5		5.5		
Psi	29	36		44	51	58	65	73		80		
Machine - Use (kg - lbs)	LOADERS											
FRONT LADEN	11150 24586	12300 27122		14600 32193	16300 35942	18000 39690	19450 42887	20950 46195		22400 49392		
REAR UNLADEN	8900 19625	9850 21719		11700 25799	13050 28775	14400 31752	15550 34288	16750 36934		17900 39470		

COMMERCIAL DESCRIPTION	CAI MSPN	Max. dist./hour km mile	TKPH ⁽¹⁾ TMPH	e mm inch	D mm inch	R' mm inch	RC mm inch	Tread depth mm 32rd	Dual Spacing mm inch	Cap. liter gallon	Measuring ⁽²⁾⁽³⁾ Recommended Rim	Other Approved ⁽²⁾⁽³⁾ Rims
Machine - Use (kg - lbs)	UNDERGROUND TRANSPORT MACHINE											
ALL AXLES				10900 24035	12150 26791	13600 29988	15000 33075	16000 35280		17500 38588		

COMMERCIAL DESCRIPTION	CAI MSPN	Max. dist./hour km mile	TKPH ⁽¹⁾ TMPH	e mm inch	D mm inch	R' mm inch	RC mm inch	Tread depth mm 32rd	Dual Spacing mm inch	Cap. liter gallon	Measuring ⁽²⁾⁽³⁾ Recommended Rim	Other Approved ⁽²⁾⁽³⁾ Rims
XLD D2 A L5T * 29.5 R 25 Tubeless	123278 28230	10 6.2		762 30	1900 74.8	821 32.3	5645 222.2	95 119.7		985 260.2	25.00/3.5	
Bar	2	2.5		3	3.5	4	4.5	5		5.5		
Psi	29	36		44	51	58	65	73		80		
Machine - Use (kg - lbs)	LOADERS											
FRONT LADEN	11150 24586	12300 27122		14600 32193	16300 35942	18000 39690	19450 42887	20950 46195		22400 49392		
REAR UNLADEN	8900 19625	9850 21719		11700 25799	13050 28775	14400 31752	15550 34288	16750 36934		17900 39470		

COMMERCIAL DESCRIPTION	CAI MSPN	Max. dist./hour km mile	TKPH ⁽¹⁾ TMPH	e mm inch	D mm inch	R' mm inch	RC mm inch	Tread depth mm 32rd	Dual Spacing mm inch	Cap. liter gallon	Measuring ⁽²⁾⁽³⁾ Recommended Rim	Other Approved ⁽²⁾⁽³⁾ Rims
Machine - Use (kg - lbs)	UNDERGROUND TRANSPORT MACHINE											
ALL AXLES				10900 24035	12150 26791	13600 29988	15000 33075	16000 35280		17500 38588		

TIRE LOAD IN KG/LB – TIRE PRESSURE IN BAR/PSI

COMMERCIAL DESCRIPTION	CAI MSPN	Max. dist./hour km mile	TKPH ⁽¹⁾ TMPH	e mm inch	D mm inch	R' mm inch	RC mm inch	Tread depth mm 32rd	Dual Spacing mm inch	Cap. liter gallon	Measuring ⁽²⁾⁽³⁾ Recommended Rim	Other Approved ⁽²⁾⁽³⁾ Rims
XMINE D2 L5 ** 29.5 R 25 Tubeless	221069 33387	6 3.7		804 31.7	1903 74.9	850 33.5	5725 225.4	99 124.7		980 258.9	25.00/3.5	
Bar	3	3.5		4	4.5	5	5.5	6	6.5			
Psi	44	51		58	65	73	80	87	94			
Machine - Use (kg - lbs)	LOADERS											
FRONT LADEN	12500 27563	14000 30870		15500 34178	17000 37485	18000 39690	19500 42998	20600 45423	22400 49392			
REAR UNLADEN	10000 22050	11200 24696		12400 27342	13600 29988	14400 31752	15600 34398	16480 36338	17920 39514			
Machine - Use (kg - lbs)	UNDERGROUND TRANSPORT MACHINE											
ALL AXLES	10900 24035	12150 26791		13600 29988	15000 33075	16000 35280	17500 38588	18500 40793	19500 42998			

COMMERCIAL DESCRIPTION	CAI MSPN	Max. dist./hour km mile	TKPH ⁽¹⁾ TMPH	e mm inch	D mm inch	R' mm inch	RC mm inch	Tread depth mm 32rd	Dual Spacing mm inch	Cap. liter gallon	Measuring ⁽²⁾⁽³⁾ Recommended Rim	Other Approved ⁽²⁾⁽³⁾ Rims
XMINE D2 L5R 29.5 R 25 Tubeless ⁽⁸⁾	273527 33522	6 3.7		804 31.7	1900 74.8	838 33	5688 223.9	100 126		988 261	25.00/3.5	
Bar	2	2.5		3	3.5	4	4.5	5	5.5			
Psi	29	36		44	51	58	65	73	80			
Machine - Use (kg - lbs)	LOADERS											
FRONT LADEN	11150 24586	12300 27122		14600 32193	16300 35942	18000 39690	19450 42887	20950 46195	22400 49392			
REAR UNLADEN	8900 19625	9850 21719		11700 25799	13050 28775	14400 31752	15550 34288	16750 36934	17900 39470			
Machine - Use (kg - lbs)	UNDERGROUND TRANSPORT MACHINE											
ALL AXLES				10900 24035	12150 26791	13600 29988	15000 33075	16000 35280	17500 38588			

COMMERCIAL DESCRIPTION	CAI MSPN	Max. dist./hour km mile	TKPH ⁽¹⁾ TMPH	e mm inch	D mm inch	R' mm inch	RC mm inch	Tread depth mm 32rd	Dual Spacing mm inch	Cap. liter gallon	Measuring ⁽²⁾⁽³⁾ Recommended Rim	Other Approved ⁽²⁾⁽³⁾ Rims
XMINE D2 PRO L5 29.5 R 25 Tubeless ⁽⁸⁾	326526 92460	6 3.7		806 31.7	1891 74.4	836 32.9	5667 223.1	99 124.7		980 258.9	25.00/3.5	
Bar	3	3.5		4	4.5	5	5.5	6	6.5	7		
Psi	44	51		58	65	73	80	87	94	102		
Machine - Use (kg - lbs)	LOADERS											
FRONT LADEN	12500 27563	14000 30870		15500 34178	17000 37485	18000 39690	19500 42998	20600 45423	22400 49392	25750 56779		
REAR UNLADEN	1000 2205	11200 24696		12400 27342	13600 29988	14400 31752	15600 34398	16480 36338	17920 39514	20600 45423		
Machine - Use (kg - lbs)	UNDERGROUND TRANSPORT MACHINE											
ALL AXLES	10900 24035	12150 26791		13600 29988	15000 33075	16000 35280	17500 38588	18500 40793	19500 42998	23000 50715		

COMMERCIAL DESCRIPTION	CAI MSPN	Max. dist./hour km mile	TKPH ⁽¹⁾ TMPH	e mm inch	D mm inch	R' mm inch	RC mm inch	Tread depth mm 32rd	Dual Spacing mm inch	Cap. liter gallon	Measuring ⁽²⁾⁽³⁾ Recommended Rim	Other Approved ⁽²⁾⁽³⁾ Rims
XADN E E3V ** 200E 29.5 R 25 Tubeless	123703	50 31.1	560 384	743 29.3	1850 72.8	817 32.2	5541 218.1	44 55.4		1180 311.8	25.00/3.5	
Bar	2	2.5		3	3.25	3.5	4	4.5	5	5.5		
Psi	29	36		44	47	51	58	65	73	80		
Machine - Use (kg - lbs)	ARTICULATED DUMP TRUCKS											
STANDARD	7800 17199	9050 19955		10300 22712	10900 24035	11500 25358	12750 28114	14000 30870				
70 KM/H 43 MPH				7800 17199	8575 18908	9350 20617	10900 24035	11500 25358	12750 28114	14000 30870		

TIRE LOAD IN KG/LB – TIRE PRESSURE IN BAR/PSI

COMMERCIAL DESCRIPTION	CAI MSPN	Max. dist./hour km mile	TKPH ⁽¹⁾ TMPH	e mm inch	D mm inch	R' mm inch	RC mm inch	Tread depth mm 32rd	Dual Spacing mm inch	Cap. liter gallon	Measuring ⁽²⁾⁽³⁾ Recommended Rim	Other Approved ⁽²⁾⁽³⁾ Rims
XS SAND E7 ** 196E 29.5 R 25 Tubeless ⁽⁹⁾	458236 01330			747 29.4	1820 71.7	796 31.3	5431 213.8	22 27.7		1200 317	25.00/3.5	
Bar	2	2.3	2.5	2.7	2.9	3.3	3.7	4.1	4.5	4.9		
Psi	29	33	36	39	42	48	54	59	65	71		
Machine - Use (kg - lbs) DESERT CONDITIONS 65 KM/H MAX.												
ROAD IN SINGLE									11000 24255	12000 26460	13000 28665	14000 30870
TRACK IN SINGLE								11000 24255	12000 26460	13000 28665	14000 30870	
SAND IN SINGLE	11000 24255	12000 26460	12500 27563	13000 28665	14000 30870							
Bar	2	2.5	3	3.25	3.5	4	4.5	5	5.5			
Psi	29	36	44	47	51	58	65	73	80			
Machine - Use (kg - lbs) ARTICULATED DUMP TRUCKS												
STANDARD	7800 17199	9050 19955	10300 22712	10900 24035	11500 25358	12750 28114	14000 30870					
70 KM/H 43 MPH			7800 17199	8575 18908	9350 20617	10900 24035	11500 25358	12750 28114	14000 30870			
COMMERCIAL DESCRIPTION	CAI MSPN	Max. dist./hour km mile	TKPH⁽¹⁾ TMPH	e mm inch	D mm inch	R' mm inch	RC mm inch	Tread depth mm 32rd	Dual Spacing mm inch	Cap. liter gallon	Measuring⁽²⁾⁽³⁾ Recommended Rim	Other Approved⁽²⁾⁽³⁾ Rims
XTRA DEFEND E4 ** 200B 29.5 R 25 Tubeless	940473 07272	22 13.7	246 169	773 30.4	1862 73.3	826 32.5	5586 219.9	65 81.9		1142 301.7	25.00/3.5	
Bar	2	2.5	3	3.25	3.5	4	4.5					
Psi	29	36	44	47	51	58	65					
Machine - Use (kg - lbs) ARTICULATED DUMP TRUCKS												
STANDARD	7800 17199	9050 19955	10300 22712	10900 24035	11500 25358	12750 28114	14000 30870					
COMMERCIAL DESCRIPTION	CAI MSPN	Max. dist./hour km mile	TKPH⁽¹⁾ TMPH	e mm inch	D mm inch	R' mm inch	RC mm inch	Tread depth mm 32rd	Dual Spacing mm inch	Cap. liter gallon	Measuring⁽²⁾⁽³⁾ Recommended Rim	Other Approved⁽²⁾⁽³⁾ Rims
XTXL E4 **** L4 *** 221A2 29.5 R 25 Tubeless	427926 40734	14 8.7 if load per tire <=22.4 t	220 151	775 30.5	1822 71.7	793 31.2	5427 213.7	59 74.3		1029 271.9	25.00/3.5	
Bar	3	4	4.5	5	5.5	6	6.5	7	7.5	8		
Psi	44	58	65	73	80	87	94	102	109	116		
Machine - Use (kg - lbs) LOADER LOAD PER TIRE <= 22.4 T												
FRONT LADEN	12500 27563	15500 34178	17000 37485	18000 39690	19500 42998	20600 45423	22400 49392					
REAR UNLADEN	10000 22050	12400 27342	13600 29988	14400 31752	15600 34398	16480 36338	17920 39514					
Machine - Use (kg - lbs) LOADER LOAD PER TIRE > 22.4 T												
FRONT LADEN										23600 52038	24300 53582	25750 56779
REAR UNLADEN										18880 41630	19440 42865	20600 45423
Machine - Use (kg - lbs) UNDERGROUND TRANSPORT MACHINE												
ALL AXLES	10900 24035	13600 29988	15000 33075	16000 35280	17500 38588	18500 40793	19500 42998	20600 45423	21800 48069	23000 50715		
BLOCK HANDLING (SEE DETAILS IN THE SECTION: HELP WITH THE USE OF EARTHMOVER TIRES)												

TIRE LOAD IN KG/LB – TIRE PRESSURE IN BAR/PSI

COMMERCIAL DESCRIPTION	CAI MSPN	Max. dist./hour km mile	TKPH ⁽¹⁾ TMPH	e mm inch	D mm inch	R' mm inch	RC mm inch	Tread depth mm 32rd	Dual Spacing mm inch	Cap. liter gallon	Measuring ^{(2) (3)} Recommended Rim	Other Approved ^{(2) (3)} Rims
XTXL E4 **** 29.5 R 25 Tubeless	775766 76493		220 151	775 30.5	1822 71.7	804 31.7	5455 214.8	59 74.3		1029 271.9	25.00/3.5	
Bar	3	4	4.5	5	5.5	6	6.5	7	7.5	8		
Psi	44	58	65	73	80	87	94	102	109	116		
Machine - Use (kg - lbs)	UNDERGROUND TRANSPORT MACHINE											
ALL AXLES	10900 24035	13600 29988	15000 33075	16000 35280	17500 38588	18500 40793	19500 42998	20600 45423	21800 48069	23000 50715		

COMMERCIAL DESCRIPTION	CAI MSPN	Max. dist./hour km mile	TKPH ⁽¹⁾ TMPH	e mm inch	D mm inch	R' mm inch	RC mm inch	Tread depth mm 32rd	Dual Spacing mm inch	Cap. liter gallon	Measuring ^{(2) (3)} Recommended Rim	Other Approved ^{(2) (3)} Rims
XAD 65-1 SUPER E3T ** 190B 750/65 R 25 Tubeless	123895 79374	28 17.4	237 162	738 29.1	1599 63	701 27.6	4777 188.1	43 54.2		810 214	24.00/3.0	22.00/3.0 25.00/3.0
Bar	2.5	3	3.25	3.5	4							
Psi	36	44	47	51	58							
Machine - Use (kg - lbs)	ARTICULATED DUMP TRUCKS											
STANDARD	7350 16207	8400 18522	8950 19735	9500 20948	10600 23373							

COMMERCIAL DESCRIPTION	CAI MSPN	Max. dist./hour km mile	TKPH ⁽¹⁾ TMPH	e mm inch	D mm inch	R' mm inch	RC mm inch	Tread depth mm 32rd	Dual Spacing mm inch	Cap. liter gallon	Measuring ^{(2) (3)} Recommended Rim	Other Approved ^{(2) (3)} Rims
XTRA DEFEND 190B 750/65 R 25 Tubeless	209221 32588	26 16.2	220 151	733 28.9	1628 64.1	720 28.3	4878 192	55 69.3			24.00/3.0	22.00/3.0 25.00/3.0
Bar	2.5	3	3.25	3.5	4							
Psi	36	44	47	51	58							
Machine - Use (kg - lbs)	ARTICULATED DUMP TRUCKS											
STANDARD	7350 16207	8400 18522	8950 19735	9500 20948	10600 23373							

COMMERCIAL DESCRIPTION	CAI MSPN	Max. dist./hour km mile	TKPH ⁽¹⁾ TMPH	e mm inch	D mm inch	R' mm inch	RC mm inch	Tread depth mm 32rd	Dual Spacing mm inch	Cap. liter gallon	Measuring ^{(2) (3)} Recommended Rim	Other Approved ^{(2) (3)} Rims
XLD 65 L3T * 750/65 R 25 Tubeless	123940 50629	16 9.9		747 29.4	1591 62.6	683 26.9	4714 185.6	41 51.7		788 208.2	24.00/3.0	22.00/3.0
Bar	2	2.5	3	3.25	3.5	4	4.5	5	5.5			
Psi	29	36	44	47	51	58	65	73	80			
Machine - Use (kg - lbs)	LOADERS											
FRONT LADEN	8400 18522	9720 21433	11040 24343	11700 25799	12360 27254	13680 30164	15000 33075	16320 35986	17640 38896			
REAR UNLADEN	6725 14829	7775 17144	8825 19459	9365 20650	9900 21830	10950 24145	12000 26460	13050 28775	14100 31091			
Machine - Use (kg - lbs)	GRADERS											
ALL AXLES	5040 11113	5830 12855	6620 14597	7020 15479	7420 16361	8210 18103						

TIRE LOAD IN KG/LB – TIRE PRESSURE IN BAR/PSI

29"

COMMERCIAL DESCRIPTION	CAI MSPN	Max. dist./ hour km mile	TKPH ⁽¹⁾ TMPH	e mm inch	D mm inch	R' mm inch	RC mm inch	Tread depth mm 32rd	Dual Spacing mm inch	Cap. liter gallon	Measuring ⁽²⁾⁽³⁾ Recommended Rim	Other Approved ⁽²⁾⁽³⁾ Rims
XK A L3 ** 26.5 R 29 Tubeless (8 - 9)	273860 21675	14 8.7		712 28	1840 72.4	801 31.5	5478 215.7	35 44.1		855 225.9	22.00/3.0	24.00/3.0
Bar	4	4.25		4.5	5	5.25	5.5	5.75	6	6.25	6.5	
Psi	58	62		65	73	76	80	83	87	91	94	
Machine - Use (kg - lbs) LOADERS												
FRONT LADEN	13600 29988	14000 30870		15000 33075	16000 35280	16500 36383	17500 38588	18000 39690	18500 40793	19000 41895	19500 42998	
REAR UNLADEN	10880 23990	11200 24696		12000 26460	12800 28224	13200 29106	14000 30870	14400 31752	14800 32634	15200 33516	15600 34398	
Machine - Use (kg - lbs) UNDERGROUND TRANSPORT MACHINE												
ALL AXLES	12150 26791	12500 27563		13200 29106	14500 31973	15000 33075	15500 34178	16000 35280	16500 36383	17000 37485	17500 38588	

COMMERCIAL DESCRIPTION	CAI MSPN	Max. dist./ hour km mile	TKPH ⁽¹⁾ TMPH	e mm inch	D mm inch	R' mm inch	RC mm inch	Tread depth mm 32rd	Dual Spacing mm inch	Cap. liter gallon	Measuring ⁽²⁾⁽³⁾ Recommended Rim	Other Approved ⁽²⁾⁽³⁾ Rims
XSM DN L3S * 26.5 R 29 Tubeless ⁽⁹⁾	123661	10 6.2		726 28.6	1830 72	811 31.9	5488 216.1	40 50.4		937 247.6	22.00/3.0	24.00/3.0
Bar	4	4.25		4.5	5	5.25	5.5	5.75	6	6.25	6.5	
Psi	58	62		65	73	76	80	83	87	91	94	
Machine - Use (kg - lbs) LOADERS												
FRONT LADEN	13600 29988	14000 30870		15000 33075	16000 35280	16500 36383	17500 38588	18000 39690	18500 40793	19000 41895	19500 42998	
REAR UNLADEN	10880 23990	11200 24696		12000 26460	12800 28224	13200 29106	14000 30870	14400 31752	14800 32634	15200 33516	15600 34398	
Machine - Use (kg - lbs) UNDERGROUND TRANSPORT MACHINE												
ALL AXLES	12150 26791	12500 27563		13200 29106	14500 31973	15000 33075	15500 34178	16000 35280	16500 36383	17000 37485	17500 38588	

COMMERCIAL DESCRIPTION	CAI MSPN	Max. dist./ hour km mile	TKPH ⁽¹⁾ TMPH	e mm inch	D mm inch	R' mm inch	RC mm inch	Tread depth mm 32rd	Dual Spacing mm inch	Cap. liter gallon	Measuring ⁽²⁾⁽³⁾ Recommended Rim	Other Approved ⁽²⁾⁽³⁾ Rims
XSM DN+ L3S *** 26.5 R 29 Tubeless	317097 02315	10 6.2		698 27.5	1830 72	820 32.3	5510 216.9	44 55.4		926 244.6	22.00/3.0	24.00/3.0
Bar	5	5.5		6	6.5	6.75	7	7.25	7.5	7.75	8	
Psi	73	80		87	94	98	102	105	109	112	116	
Machine - Use (kg - lbs) LOADER												
FRONT LADEN	16000 35280	17500 38588		18500 40793	19500 42998	20000 44100	20600 45423	21200 46746	21800 48069	22400 49392	23000 50715	
REAR UNLADEN	12800 28224	14000 30870		14800 32634	15600 34398	16000 35280	16480 36338	16960 37397	17440 38455	17920 39514	18400 40572	

COMMERCIAL DESCRIPTION	CAI MSPN	Max. dist./ hour km mile	TKPH ⁽¹⁾ TMPH	e mm inch	D mm inch	R' mm inch	RC mm inch	Tread depth mm 32rd	Dual Spacing mm inch	Cap. liter gallon	Measuring ⁽²⁾⁽³⁾ Recommended Rim	Other Approved ⁽²⁾⁽³⁾ Rims
XK A L3 ** 29.5 R 29 Tubeless	274110 51371	14 8.7		793 31.2	1961 77.2	844 33.2	5819 229.1	38 47.9		1260 332.9	25.00/3.5	24.00/3.5
Bar	3	3.5		4	4.5	5	5.5	6	6.5			
Psi	44	51		58	65	73	80	87	94			
Machine - Use (kg - lbs) LOADERS												
FRONT LADEN	13200 29106	15000 33075		16500 36383	18000 39690	19500 42998	20600 45423	22400 49392	23600 52038			
REAR UNLADEN	10560 23285	12000 26460		13200 29106	14400 31752	15600 34398	16480 36338	17920 39514	18880 41630			
Machine - Use (kg - lbs) UNDERGROUND TRANSPORT MACHINE												
ALL AXLES	11800 26019	13200 29106		14500 31973	16000 35280	17000 37485	18500 40793	19500 42998	20600 45423			

TIRE LOAD IN KG/LB – TIRE PRESSURE IN BAR/PSI

COMMERCIAL DESCRIPTION	CAI MSPN	Max. dist./hour km mile	TKPH ⁽¹⁾ TMPH	e mm inch	D mm inch	R' mm inch	RC mm inch	Tread depth mm 32rd	Dual Spacing mm inch	Cap. liter gallon	Measuring ⁽²⁾⁽³⁾ Recommended Rim	Other Approved ⁽²⁾⁽³⁾ Rims
XTS E3T ** 29.5 R 29 Tubeless	708648 46731	29 18	348 238	765 30.1	1963 77.3	869 34.2	5884 231.7	43 54.2		1300 343.5	25.00/3.5	24.00/3.5
Bar	2	2.5	3	3.5	4	4.25	4.5	5	5.5			
Psi	29	36	44	51	58	62	65	73	80			
Machine - Use (kg - lbs) TRANSPORT												
STANDARD	9150 20176	10325 22767	11500 25358	12650 27893	13850 30539	14425 31807	15000 33075	16150 35611	16750 36934			

COMMERCIAL DESCRIPTION	CAI MSPN	Max. dist./hour km mile	TKPH ⁽¹⁾ TMPH	e mm inch	D mm inch	R' mm inch	RC mm inch	Tread depth mm 32rd	Dual Spacing mm inch	Cap. liter gallon	Measuring ⁽²⁾⁽³⁾ Recommended Rim	Other Approved ⁽²⁾⁽³⁾ Rims
XMINE D2 L5 ** 29.5 R 29 Tubeless	965209 31580	6 3.7		794 31.3	2005 78.9	896 35.3	6032 237.5	100 126		981 259.2	25.00/3.5	24.00/3.5
Bar	3	3.5	4	4.5	5	5.5	6	6.5				
Psi	44	51	58	65	73	80	87	94				
Machine - Use (kg - lbs) LOADERS												
FRONT LADEN	13200 29106	15000 33075	16500 36383	18000 39690	19500 42998	20600 45423	22400 49392	23600 52038				
REAR UNLADEN	10560 23285	12000 26460	13200 29106	14400 31752	15600 34398	16480 36338	17920 39514	18880 41630				
Machine - Use (kg - lbs) UNDERGROUND TRANSPORT MACHINE												
ALL AXLES	11800 26019	13200 29106	14500 31973	16000 35280	17000 37485	18500 40793	19500 42998	20600 45423				

COMMERCIAL DESCRIPTION	CAI MSPN	Max. dist./hour km mile	TKPH ⁽¹⁾ TMPH	e mm inch	D mm inch	R' mm inch	RC mm inch	Tread depth mm 32rd	Dual Spacing mm inch	Cap. liter gallon	Measuring ⁽²⁾⁽³⁾ Recommended Rim	Other Approved ⁽²⁾⁽³⁾ Rims
XMINE D2 L5R 29.5 R 29 Tubeless ⁽⁴⁾	274050 29173	6 3.7		796 31.3	2001 78.8	878 34.6	5980 235.4	100 126		990 261.6	25.00/3.5	24.00/3.5
Bar	2	2.5	3	3.5	4	4.5	5	5.5				
Psi	29	36	44	51	58	65	73	80				
Machine - Use (kg - lbs) LOADERS												
FRONT LADEN	13100 28886	14700 32414	16300 35942	17900 39470	19500 42998	21550 47518	23600 52038	25200 55566				
REAR UNLADEN	10500 23153	11750 25909	13050 28775	14350 31642	15600 34398	17250 38036	18900 41675	21150 46636				
Machine - Use (kg - lbs) UNDERGROUND TRANSPORT MACHINE												
ALL AXLES			11800 26019	13200 29106	14500 31973	16000 35280	17000 37485	18500 40793				

COMMERCIAL DESCRIPTION	CAI MSPN	Max. dist./hour km mile	TKPH ⁽¹⁾ TMPH	e mm inch	D mm inch	R' mm inch	RC mm inch	Tread depth mm 32rd	Dual Spacing mm inch	Cap. liter gallon	Measuring ⁽²⁾⁽³⁾ Recommended Rim	Other Approved ⁽²⁾⁽³⁾ Rims
XMINE D2 PRO L5 *** 29.5 R 29 Tubeless	376767 28327	6 3.7		805 31.7	1994 78.5	882 34.7	5975 235.2	100 126		981 259.2	25.00/3.5	24.00/3.5
Bar	3	3.5	4	4.5	5	5.5	6	6.5	7			
Psi	44	51	58	65	73	80	87	94	102			
Machine - Use (kg - lbs) LOADERS												
FRONT LADEN	13200 29106	15000 33075	16500 36383	18000 39690	19500 42998	20600 45423	22400 49392	23600 52038	27250 60086			
REAR UNLADEN	10560 23285	12000 26460	13200 29106	14400 31752	15600 34398	16480 36338	17920 39514	18880 41630	21800 48069			
Machine - Use (kg - lbs) UNDERGROUND TRANSPORT MACHINE												
ALL AXLES	11800 26019	13200 29106	14500 31973	16000 35280	17000 37485	18500 40793	19500 42998	20600 45423	24300 53582			

TIRE LOAD IN KG/LB – TIRE PRESSURE IN BAR/PSI

COMMERCIAL DESCRIPTION	CAI MSPN	Max. dist./hour km mile	TKPH ⁽¹⁾ TMPH	e mm inch	D mm inch	R' mm inch	RC mm inch	Tread depth mm 32rd	Dual Spacing mm inch	Cap. liter gallon	Measuring ⁽²⁾ (3) Recommended Rim	Other Approved ⁽²⁾ (3) Rims
XSM D2+ L5S ** 29.5 R 29 Tubeless	358035 93004	4 2.5		770 30.3	1994 78.5	893 35.2	6003 236.3	112 141.1		1123 296.7	25.00/3.5	24.00/3.5
Bar	3	3.5		4	4.5	5	5.5	6		6.5		
Psi	44	51		58	65	73	80	87		94		
Machine - Use (kg - lbs)	LOADERS											
FRONT LADEN	13200 29106	15000 33075		16500 36383	18000 39690	19500 42998	20600 45423	22400 49392		23600 52038		
REAR UNLADEN	10560 23285	12000 26460		13200 29106	14400 31752	15600 34398	16480 36338	17920 39514		18880 41630		

COMMERCIAL DESCRIPTION	CAI MSPN	Max. dist./hour km mile	TKPH ⁽¹⁾ TMPH	e mm inch	D mm inch	R' mm inch	RC mm inch	Tread depth mm 32rd	Dual Spacing mm inch	Cap. liter gallon	Measuring ⁽²⁾ (3) Recommended Rim	Other Approved ⁽²⁾ (3) Rims
XSMD2+ PRO L5S *** 29.5 R 29 Tubeless	819333 22462	4 2.5		770 30.3	1993 78.5	883 34.8	5977 235.3	112 141.1		1123 296.7	25.00/3.5	24.00/3.5
Bar	3	3.5		4	4.5	5	5.5	6		6.5	7	
Psi	44	51		58	65	73	80	87		94	102	
Machine - Use (kg - lbs)	LOADERS											
FRONT LADEN	13200 29106	15000 33075		16500 36383	18000 39690	19500 42998	20600 45423	22400 49392		23600 52038	27250 60086	
REAR UNLADEN	10560 23285	12000 26460		13200 29106	14400 31752	15600 34398	16480 36338	17920 39514		18880 41630	21800 48069	

COMMERCIAL DESCRIPTION	CAI MSPN	Max. dist./hour km mile	TKPH ⁽¹⁾ TMPH	e mm inch	D mm inch	R' mm inch	RC mm inch	Tread depth mm 32rd	Dual Spacing mm inch	Cap. liter gallon	Measuring ⁽²⁾ (3) Recommended Rim	Other Approved ⁽²⁾ (3) Rims
XLD D2 A L5T * 29.5 R 29 Tubeless	123279 52185	10 6.2		772 30.4	2004 78.9	864 34	5949 234.2	95 119.7		985 260.2	25.00/3.5	24.00/3.5
Bar	2	2.5		3	3.5	4	4.5	5		5.25	5.5	
Psi	29	36		44	51	58	65	73		76	80	
Machine - Use (kg - lbs)	LOADERS											
FRONT LADEN	13100 28886	14700 32414		16300 35942	17900 39470	19500 42998	21550 47518	23600 52038		24450 53912	25200 55566	
REAR UNLADEN	10500 23153	11750 25909		13050 28775	14350 31642	15600 34398	17250 38036	18900 41675		10560 23285	21150 46636	
Machine - Use (kg - lbs)	GRADERS											
ALL AXLES	7100 15656	8500 18743		9750 21499	10900 24035	12150 26791	13200 29106	14500 31973		15000 33075		

COMMERCIAL DESCRIPTION	CAI MSPN	Max. dist./hour km mile	TKPH ⁽¹⁾ TMPH	e mm inch	D mm inch	R' mm inch	RC mm inch	Tread depth mm 32rd	Dual Spacing mm inch	Cap. liter gallon	Measuring ⁽²⁾ (3) Recommended Rim	Other Approved ⁽²⁾ (3) Rims
XTXL E4 **** 29.5 R 29 Tubeless	512305 68037		220 151	775 30.5	1928 75.9	855 33.7	5783 227.7	63 79.4		1139 300.9	25.00/3.5	24.00/3.5
Bar	3	4		4.5	5	5.5	6	6.5		7	7.5	8
Psi	44	58		65	73	80	87	94		102	109	116
Machine - Use (kg - lbs)	UNDERGROUND TRANSPORT MACHINE											
ALL AXLES	11800 26019	14500 31973		16000 35280	17000 37485	18500 40793	19500 42998	20600 45423		21800 48069	23000 50715	24300 53582

COMMERCIAL DESCRIPTION	CAI MSPN	Max. dist./hour km mile	TKPH ⁽¹⁾ TMPH	e mm inch	D mm inch	R' mm inch	RC mm inch	Tread depth mm 32rd	Dual Spacing mm inch	Cap. liter gallon	Measuring ⁽²⁾ (3) Recommended Rim	Other Approved ⁽²⁾ (3) Rims
XAD 65-1 SUPER E3T ** 195B 775/65 R 29 Tubeless	510085 74895	28 17.4	272 186	785 30.9	1759 69.3	778 30.6	5272 207.6	45 56.7		1050 277.4	24.00/3.0	24.00/3.5 25.00/3.5
Bar	2	2.5		3	3.5	4						
Psi	29	36		44	51	58						
Machine - Use (kg - lbs)	ARTICULATED DUMP TRUCKS											
STANDARD	6900 15215	8100 17861		9350 20617	10700 23594	12150 26791						

TIRE LOAD IN KG/LB – TIRE PRESSURE IN BAR/PSI

COMMERCIAL DESCRIPTION	CAI MSPN	Max. dist./hour km mile	TKPH ⁽¹⁾ TMPH	e mm inch	D mm inch	R' mm inch	RC mm inch	Tread depth mm 32rd	Dual Spacing mm inch	Cap. liter gallon	Measuring ⁽²⁾⁽³⁾ Recommended Rim	Other Approved ⁽²⁾⁽³⁾ Rims
XHA2 L3 206A2 775/65 R 29 XHA2 L3 * 206A2 Tubeless	992646	16 9.9		780 30.7	1735 68.3	747 29.4	5149 202.7	44 55.4		1008 266.3	24.00/3.5	25.00/3.5

Bar	3	3.5	4	4.25	4.5	4.75	5	5.25				
Psi	44	51	58	62	65	69	73	76				

Machine - Use (kg - lbs)	LOADERS											
FRONT LADEN	11750 25909	13250 29216	15000 33075	15500 34178	16500 36383	17000 37485	17500 38588	18500 40793				
REAR UNLADEN	9400 20727	10600 23373	12000 26460	12400 27342	13200 29106	13600 29988	14000 30870	14800 32634				

COMMERCIAL DESCRIPTION	CAI MSPN	Max. dist./hour km mile	TKPH ⁽¹⁾ TMPH	e mm inch	D mm inch	R' mm inch	RC mm inch	Tread depth mm 32rd	Dual Spacing mm inch	Cap. liter gallon	Measuring ⁽²⁾⁽³⁾ Recommended Rim	Other Approved ⁽²⁾⁽³⁾ Rims
XLD 65 L3 * 800/65 R 29 Tubeless	123059 45325	16 9.9		793 31.2	1818 71.6	790 31.1	5412 213.1	48 60.5		1093 288.8	27.00/3.0	24.00/3.5

Bar	2	2.5	3	3.5	4	4.25	4.5	5	5.5			
Psi	29	36	44	51	58	62	65	73	80			

Machine - Use (kg - lbs)	LOADERS											
FRONT LADEN	10100 22271	11800 26019	13500 29768	15200 33516	16900 37265	17500 38588	18600 41013	20300 44762	22000 48510			
REAR UNLADEN	8100 17861	9450 20837	10800 23814	12150 26791	13500 29768	14000 30870	14900 32855	16250 35831	17600 38808			

COMMERCIAL DESCRIPTION	CAI MSPN	Max. dist./hour km mile	TKPH ⁽¹⁾ TMPH	e mm inch	D mm inch	R' mm inch	RC mm inch	Tread depth mm 32rd	Dual Spacing mm inch	Cap. liter gallon	Measuring ⁽²⁾⁽³⁾ Recommended Rim	Other Approved ⁽²⁾⁽³⁾ Rims
XTS E3T ** 33.25 R 29 Tubeless	871916 76725	29 18	429 294	873 34.4	2068 81.4	923 36.3	6218 244.8	51 64.3		1640 433.3	27.00/3.5	

Bar	2	2.5	3	3.5	4	4.25	4.5	5	5.5	6		
Psi	29	36	44	51	58	62	65	73	80	87		

Machine - Use (kg - lbs)	TRANSPORT											
STANDARD	9500 20948	11000 24255	12500 27563	14000 30870	15500 34178	16300 35942	17000 37485	18500 40793	19250 42446	20000 44100		

COMMERCIAL DESCRIPTION	CAI MSPN	Max. dist./hour km mile	TKPH ⁽¹⁾ TMPH	e mm inch	D mm inch	R' mm inch	RC mm inch	Tread depth mm 32rd	Dual Spacing mm inch	Cap. liter gallon	Measuring ⁽²⁾⁽³⁾ Recommended Rim	Other Approved ⁽²⁾⁽³⁾ Rims
XAD 65-1 SUPER E3T ** 203B 875/65 R 29 Tubeless	086953 40269	28 17.4	347 238	883 34.8	1881 74.1	822 32.4	5613 221	51 64.3		1376 363.5	27.00/3.0	27.00/3.5 28.00/3.5

Bar	2	2.5	3	3.5	4							
Psi	29	36	44	51	58							

Machine - Use (kg - lbs)	ARTICULATED DUMP TRUCKS											
STANDARD	9100 20066	10800 23814	12500 27563	14100 31091	15500 34178							

TIRE LOAD IN KG/LB – TIRE PRESSURE IN BAR/PSI

COMMERCIAL DESCRIPTION	CAI MSPN	Max. dist./hour km mile	TKPH ⁽¹⁾ TMPH	e mm inch	D mm inch	R' mm inch	RC mm inch	Tread depth mm 32rd	Dual Spacing mm inch	Cap. liter gallon	Measuring ⁽²⁾⁽³⁾ Recommended Rim	Other Approved ⁽²⁾⁽³⁾ Rims
XHA2 L3 * 214A2 875/65 R 29 Tubeless	936624 32190	16 9.9		882 34.7	1870 73.6	797 31.4	5528 217.6	49 61.7		1354 357.7	27.00/3.0	27.00/3.5 28.00/3.5
Bar	2	2.5		3	3.5	4	4.25	4.5		4.75		
Psi	29	36		44	51	58	62	65		69		
Machine - Use (kg - lbs) LOADERS												
FRONT LADEN	9000 19845	11250 24806		13500 29768	15750 34729	18000 39690	18968 41824	20084 44285		21200 46746		
REAR UNLADEN	7200 15876	9000 19845		10800 23814	12600 27783	14400 31752	15175 33461	16067 35428		16960 37397		

COMMERCIAL DESCRIPTION	CAI MSPN	Max. dist./hour km mile	TKPH ⁽¹⁾ TMPH	e mm inch	D mm inch	R' mm inch	RC mm inch	Tread depth mm 32rd	Dual Spacing mm inch	Cap. liter gallon	Measuring ⁽²⁾⁽³⁾ Recommended Rim	Other Approved ⁽²⁾⁽³⁾ Rims
XTRA DEFEND 203B 875/65 R 29 Tubeless	992223 76545	22 13.7	273 187	872 34.3	1884 74.2	823 32.4	5620 221.3	59.5 75		1330 351.4	27.00/3.0	27.00/3.5 28.00/3.5
Bar	2	2.5		3	3.5	4	4.5					
Psi	29	36		44	51	58	65					
Machine - Use (kg - lbs) ARTICULATED DUMP TRUCKS												
STANDARD	9000 19845	10600 23373		12250 27011	13800 30429	15500 34178	17100 37706					

COMMERCIAL DESCRIPTION	CAI MSPN	Max. dist./hour km mile	TKPH ⁽¹⁾ TMPH	e mm inch	D mm inch	R' mm inch	RC mm inch	Tread depth mm 32rd	Dual Spacing mm inch	Cap. liter gallon	Measuring ⁽²⁾⁽³⁾ Recommended Rim	Other Approved ⁽²⁾⁽³⁾ Rims
X-SUPER TERRAIN+ E4 ** 206B 800/80 R 29 Tubeless	952451 04779	26 16.2	353 242	805 31.7	2002 78.8	888 35	6005 236.4	67 84.4		1315 347.4	27.00/3.5	25.00/3.5
Bar	3	3.25		3.5	3.74	4	4.25	4.5		4.75	5	5.25
Psi	44	47		51	54	58	62	65		69	73	76
Machine - Use (kg - lbs) ARTICULATED DUMP TRUCKS												
STANDARD	12500 27563	13200 29106		14000 30870	14700 32414	15500 34178	16300 35942	17000 37485		17800 39249	18500 40793	19000 41895

33"

COMMERCIAL DESCRIPTION	CAI MSPN	Max. dist./hour km mile	TKPH ⁽¹⁾ TMPH	e mm inch	D mm inch	R' mm inch	RC mm inch	Tread depth mm 32rd	Dual Spacing mm inch	Cap. liter gallon	Measuring ⁽²⁾⁽³⁾ Recommended Rim	Other Approved ⁽²⁾⁽³⁾ Rims
XDT B E4T ** 18.00 R 33 Tubeless	123733 57305	30 18.6	262 179	494 19.4	1868 73.5	885 34.8	5745 226.2	54 68	624 24.6	605 159.8	13.00/2.5	
Bar	4	4.5		5	5.5	6	6.5	7		7.5		
Psi	58	65		73	80	87	94	102		109		
Machine - Use (kg - lbs) TRANSPORT												
STANDARD	7950 17530	8700 19184		9400 20727	10150 22381	10900 24035	11270 24850	11650 25688		12000 26460		

COMMERCIAL DESCRIPTION	CAI MSPN	Max. dist./hour km mile	TKPH ⁽¹⁾ TMPH	e mm inch	D mm inch	R' mm inch	RC mm inch	Tread depth mm 32rd	Dual Spacing mm inch	Cap. liter gallon	Measuring ⁽²⁾⁽³⁾ Recommended Rim	Other Approved ⁽²⁾⁽³⁾ Rims
XDT A4 E4T ** 18.00 R 33 Tubeless	123723 46374	18 11.2	157 108	494 19.4	1868 73.5	885 34.8	5745 226.2	54 68	624 24.6	605 159.8	13.00/2.5IN	13.00/2.5
Bar	4	4.5		5	5.5	6	6.5	7		7.5		
Psi	58	65		73	80	87	94	102		109		
Machine - Use (kg - lbs) TRANSPORT												
STANDARD	7950 17530	8700 19184		9400 20727	10150 22381	10900 24035	11270 24850	11650 25688		12000 26460		

TIRE LOAD IN KG/LB – TIRE PRESSURE IN BAR/PSI

COMMERCIAL DESCRIPTION	CAI MSPN	Max. dist./hour km mile	TKPH ⁽¹⁾ TMPH	e mm inch	D mm inch	R' mm inch	RC mm inch	Tread depth mm 32rd	Dual Spacing mm inch	Cap. liter gallon	Measuring ^{(2) (3)} Recommended Rim	Other Approved ^{(2) (3)} Rims
X-HAUL E4P ** 18.00 R 33 Tubeless	205207 58887	30 18.6	262 179	495 19.5	1860 73.2	856 33.7	5657 222.7	49 61.7	624 24.6	605 159.8	13.00/2.5IN	13.00/2.5
Bar	4	4.5	5	5.5	6	6.5	7	7.5				
Psi	58	65	73	80	87	94	102	109				
Machine - Use (kg - lbs)	TRANSPORT											
STANDARD	7950 17530	8700 19184	9400 20727	10150 22381	10900 24035	11270 24850	11650 25688	12000 26460				

COMMERCIAL DESCRIPTION	CAI MSPN	Max. dist./hour km mile	TKPH ⁽¹⁾ TMPH	e mm inch	D mm inch	R' mm inch	RC mm inch	Tread depth mm 32rd	Dual Spacing mm inch	Cap. liter gallon	Measuring ^{(2) (3)} Recommended Rim	Other Approved ^{(2) (3)} Rims
X-QUARRY S E4R ** 18.00 R 33 Tubeless	873291 15155	19 11.8	166 114	511 20.1	1864 73.4	867 34.1	5693 224.1	62 78.1	624 24.6	600 158.5	13.00/2.5IN	13.00/2.5
Bar	4	4.5	5	5.5	6	6.5	7	7.5				
Psi	58	65	73	80	87	94	102	109				
Machine - Use (kg - lbs)	TRANSPORT											
STANDARD	7950 17530	8700 19184	9400 20727	10150 22381	10900 24035	11270 24850	11650 25688	12000 26460				

COMMERCIAL DESCRIPTION	CAI MSPN	Max. dist./hour km mile	TKPH ⁽¹⁾ TMPH	e mm inch	D mm inch	R' mm inch	RC mm inch	Tread depth mm 32rd	Dual Spacing mm inch	Cap. liter gallon	Measuring ^{(2) (3)} Recommended Rim	Other Approved ^{(2) (3)} Rims
XTRA LOAD GRIP B E4 *** 18.00 R 33 Tubeless	553513 12079	34 21.1 if load per tire <=10.9 t 31 19.3 if load per tire >10.9 t	301 206	497 19.6	1872 73.7			60 75.6	598 23.5	603 159.3	13.00/2.5IN	13.00/2.5
Bar	4	4.5	5	5.5	6	6.5	7	7.5	8			
Psi	58	65	73	80	87	94	102	109	116			
Machine - Use (kg - lbs)	TRANSPORT LOAD PER TIRE <= 10.9 T											
STANDARD	7950 17530	8700 19184	9400 20727	10150 22381	10900 24035							
Machine - Use (kg - lbs)	TRANSPORT LOAD PER TIRE > 10.9 T											
STANDARD							11700 25799	12150 26791	12650 27893	13100 28886		

COMMERCIAL DESCRIPTION	CAI MSPN	Max. dist./hour km mile	TKPH ⁽¹⁾ TMPH	e mm inch	D mm inch	R' mm inch	RC mm inch	Tread depth mm 32rd	Dual Spacing mm inch	Cap. liter gallon	Measuring ^{(2) (3)} Recommended Rim	Other Approved ^{(2) (3)} Rims
XTRA LOAD GRIP A4 18.00 R 33 Tubeless	515155 09496	22 13.7 if load per tire <=10.9 t 20 12.4 if load per tire >10.9 t	194 133	497 19.6	1872 73.7			60 75.6	598 23.5	603 159.3	13.00/2.5IN	13.00/2.5
Bar	4	4.5	5	5.5	6	6.5	7	7.5	8			
Psi	58	65	73	80	87	94	102	109	116			
Machine - Use (kg - lbs)	TRANSPORT LOAD PER TIRE <= 10.9 T											
STANDARD	7950 17530	8700 19184	9400 20727	10150 22381	10900 24035							
Machine - Use (kg - lbs)	TRANSPORT LOAD PER TIRE > 10.9 T											
STANDARD							11700 25799	12150 26791	12650 27893	13100 28886		

TIRE LOAD IN KG/LB – TIRE PRESSURE IN BAR/PSI

COMMERCIAL DESCRIPTION	CAI MSPN	Max. dist./hour km mile	TKPH ⁽¹⁾ TMPH	e mm inch	D mm inch	R' mm inch	RC mm inch	Tread depth mm 32rd	Dual Spacing mm inch	Cap. liter gallon	Measuring ⁽²⁾⁽³⁾ Recommended Rim	Other Approved ⁽²⁾⁽³⁾ Rims
XTRA LOAD PROTECT B E4 *** 18.00 R 33 Tubeless	769976 21909	34 21.1 if load per tire <=10.9 t	301 206	498 19.6	1888 74.3	857 33.7	5713 224.9	63 79.4	598 23.5	603 159.3	13.00/2.5IN	13.00/2.5
		31 19.3 if load per tire >10.9 t										

Bar	4	4.5	5	5.5	6	6.5	7	7.5	8
Psi	58	65	73	80	87	94	102	109	116

Machine - Use (kg - lbs) TRANSPORT LOAD PER TIRE <= 10.9 T

STANDARD	7950 17530	8700 19184	9400 20727	10150 22381	10900 24035
-----------------	---------------	---------------	---------------	----------------	----------------

Machine - Use (kg - lbs) TRANSPORT LOAD PER TIRE > 10.9 T

STANDARD					11700 25799	12150 26791	12650 27893	13100 28886
-----------------	--	--	--	--	----------------	----------------	----------------	----------------

COMMERCIAL DESCRIPTION	CAI MSPN	Max. dist./hour km mile	TKPH ⁽¹⁾ TMPH	e mm inch	D mm inch	R' mm inch	RC mm inch	Tread depth mm 32rd	Dual Spacing mm inch	Cap. liter gallon	Measuring ⁽²⁾⁽³⁾ Recommended Rim	Other Approved ⁽²⁾⁽³⁾ Rims
XTRA LOAD PROTECT A4 18.00 R 33 Tubeless	646057 89058	22 13.7 if load per tire <=10.9 t	194 133	498 19.6	1888 74.3	857 33.7	5713 224.9	63 79.4	598 23.5	603 159.3	13.00/2.5IN	13.00/2.5
		20 12.4 if load per tire >10.9 t										

Bar	4	4.5	5	5.5	6	6.5	7	7.5	8
Psi	58	65	73	80	87	94	102	109	116

Machine - Use (kg - lbs) TRANSPORT LOAD PER TIRE <= 10.9 T

STANDARD	7950 17530	8700 19184	9400 20727	10150 22381	10900 24035
-----------------	---------------	---------------	---------------	----------------	----------------

Machine - Use (kg - lbs) TRANSPORT LOAD PER TIRE > 10.9 T

STANDARD					11700 25799	12150 26791	12650 27893	13100 28886
-----------------	--	--	--	--	----------------	----------------	----------------	----------------

COMMERCIAL DESCRIPTION	CAI MSPN	Max. dist./hour km mile	TKPH ⁽¹⁾ TMPH	e mm inch	D mm inch	R' mm inch	RC mm inch	Tread depth mm 32rd	Dual Spacing mm inch	Cap. liter gallon	Measuring ⁽²⁾⁽³⁾ Recommended Rim	Other Approved ⁽²⁾⁽³⁾ Rims
X-TRACTION E4T ** 18.00 R 33 Tubeless	397431 94105	25 15.5	218 149	493 19.4	1868 73.5	848 33.4	5652 222.5	62 78.1	624 24.6	661 174.6	13.00/2.5IN	13.00/2.5

Bar	4	4.5	5	5.5	6	6.5	7	7.5
Psi	58	65	73	80	87	94	102	109

Machine - Use (kg - lbs) TRANSPORT

STANDARD	7950 17530	8700 19184	9400 20727	10150 22381	10900 24035	11270 24850	11650 25688	12000 26460
-----------------	---------------	---------------	---------------	----------------	----------------	----------------	----------------	----------------

COMMERCIAL DESCRIPTION	CAI MSPN	Max. dist./hour km mile	TKPH ⁽¹⁾ TMPH	e mm inch	D mm inch	R' mm inch	RC mm inch	Tread depth mm 32rd	Dual Spacing mm inch	Cap. liter gallon	Measuring ⁽²⁾⁽³⁾ Recommended Rim	Other Approved ⁽²⁾⁽³⁾ Rims
XV C E2 ** 18.00 R 33 Tubeless⁽⁹⁾	271325 45385	50 31.1	436 299	496 19.5	1820 71.7	822 32.4	5486 216	26 32.8	624 24.6	640 169.1	13.00/2.5IN	13.00/2.5

Bar	4	4.5	5	5.5	6	6.5	7	7.5
Psi	58	65	73	80	87	94	102	109

Machine - Use (kg - lbs) TRANSPORT

STANDARD	7950 17530	8700 19184	9400 20727	10150 22381	10900 24035	11270 24850	11650 25688	12000 26460
-----------------	---------------	---------------	---------------	----------------	----------------	----------------	----------------	----------------

TIRE LOAD IN KG/LB – TIRE PRESSURE IN BAR/PSI

COMMERCIAL DESCRIPTION	CAI MSPN	Max. dist./hour km mile	TKPH ⁽¹⁾ TMPH	e mm inch	D mm inch	R' mm inch	RC mm inch	Tread depth mm 32rd	Dual Spacing mm inch	Cap. liter gallon	Measuring ⁽²⁾ ⁽³⁾ Recommended Rim	Other Approved ⁽²⁾ ⁽³⁾ Rims
XTRA LOAD GRIP A4 E4 *** 21.00 R 33 Tubeless	843315 31734	22 13.7 if load per tire <=14 t	248 170	565 22.2	2003 78.9	907 35.7	6056 238.4	66 83.1	701 27.6	857 226.4	15.00/3.0	
		20 12.4 if load per tire >14 t										
Bar	4	4.5	5	5.5	6	6.5	7	7.25	7.5	8		
Psi	58	65	73	80	87	94	102	105	109	116		
Machine - Use (kg - lbs)	TRANSPORT LOAD PER TIRE <= 14 T											
STANDARD	9315 20540	10250 22601	11185 24663	12125 26736	13065 28808	14000 30870						
Machine - Use (kg - lbs)	TRANSPORT LOAD PER TIRE > 14 T											
ALL AXLES								15000 33075	15500 34178	15867 34987	16600 36603	

COMMERCIAL DESCRIPTION	CAI MSPN	Max. dist./hour km mile	TKPH ⁽¹⁾ TMPH	e mm inch	D mm inch	R' mm inch	RC mm inch	Tread depth mm 32rd	Dual Spacing mm inch	Cap. liter gallon	Measuring ⁽²⁾ ⁽³⁾ Recommended Rim	Other Approved ⁽²⁾ ⁽³⁾ Rims
XTRA LOAD GRIP B E4T *** 21.00 R 33 Tubeless	523174 03975	34 21.1 if load per tire <=14 t	384 263	565 22.2	2003 78.9	906 35.7	6054 238.3	66 83.1	701 27.6	857 226.4	15.00/3.0	
		31 19.3 if load per tire >14 t										
Bar	4	4.5	5	5.5	6	6.5	7	7.25	7.5	8		
Psi	58	65	73	80	87	94	102	105	109	116		
Machine - Use (kg - lbs)	TRANSPORT LOAD PER TIRE <= 14 T											
STANDARD	9315 20540	10250 22601	11185 24663	12125 26736	13065 28808	14000 30870						
Machine - Use (kg - lbs)	TRANSPORT LOAD PER TIRE > 14 T											
ALL AXLES								15000 33075	15500 34178	15867 34987	16600 36603	

COMMERCIAL DESCRIPTION	CAI MSPN	Max. dist./hour km mile	TKPH ⁽¹⁾ TMPH	e mm inch	D mm inch	R' mm inch	RC mm inch	Tread depth mm 32rd	Dual Spacing mm inch	Cap. liter gallon	Measuring ⁽²⁾ ⁽³⁾ Recommended Rim	Other Approved ⁽²⁾ ⁽³⁾ Rims
XTRA LOAD PROTECT A4 E4T *** 21.00 R 33 Tubeless	167639 05749	22 13.7 if load per tire <=14 t	248 170	565 22.2	1979 77.9	895 35.2	5981 235.5	54 68	701 27.6	859 226.9	15.00/3.0	
		20 12.4 if load per tire >14 t										
Bar	4	4.5	5	5.5	6	6.5	7	7.25	7.5	8		
Psi	58	65	73	80	87	94	102	105	109	116		
Machine - Use (kg - lbs)	TRANSPORT LOAD PER TIRE <= 14 T											
STANDARD	9315 20540	10250 22601	11185 24663	12125 26736	13065 28808	14000 30870						
Machine - Use (kg - lbs)	TRANSPORT LOAD PER TIRE > 14 T											
ALL AXLES								15000 33075	15500 34178	15867 34987	16600 36603	

TIRE LOAD IN KG/LB – TIRE PRESSURE IN BAR/PSI

COMMERCIAL DESCRIPTION	CAI MSPN	Max. dist./hour km mile	TKPH ⁽¹⁾ TMPH	e mm inch	D mm inch	R' mm inch	RC mm inch	Tread depth mm 32rd	Dual Spacing mm inch	Cap. liter gallon	Measuring ⁽²⁾ ⁽³⁾ Recommended Rim	Other Approved ⁽²⁾ ⁽³⁾ Rims
XTRA LOAD PROTECT B E4T *** 21.00 R 33 Tubeless	495016 35283	34	384	565	1979	895	5981	54	701	859	15.00/3.0	
		21.1 if load per tire <=14 t										
		31	263	22.2	77.9	35.2	235.5	68	27.6	226.9		
		19.3 if load per tire >14 t										
Bar	4	4.5	5	5.5	6	6.5	7	7.25	7.5	8		
Psi	58	65	73	80	87	94	102	105	109	116		
Machine - Use (kg - lbs)	TRANSPORT LOAD PER TIRE <= 14 T											
STANDARD	9315 20540	10250 22601	11185 24663	12125 26736	13065 28808	14000 30870						
Machine - Use (kg - lbs)	TRANSPORT LOAD PER TIRE > 14 T											
ALL AXLES								15000 33075	15500 34178	15867 34987	16600 36603	

COMMERCIAL DESCRIPTION	CAI MSPN	Max. dist./hour km mile	TKPH ⁽¹⁾ TMPH	e mm inch	D mm inch	R' mm inch	RC mm inch	Tread depth mm 32rd	Dual Spacing mm inch	Cap. liter gallon	Measuring ⁽²⁾ ⁽³⁾ Recommended Rim	Other Approved ⁽²⁾ ⁽³⁾ Rims
X-TRACTION E4T ** 21.00 R 33 Tubeless	067981 17274	25	280	572	2007	907	6064	71	697	851	15.00/3.0	
		15.5										
		19.2	192	22.5	79	35.7	238.7	89.4	27.4	224.8		
Bar	4	4.5	5	5.5	6	6.5	7					
Psi	58	65	73	80	87	94	102					
Machine - Use (kg - lbs)	TRANSPORT											
STANDARD	9315 20540	10250 22601	11185 24663	12125 26736	13065 28808	14000 30870	14470 31906					

COMMERCIAL DESCRIPTION	CAI MSPN	Max. dist./hour km mile	TKPH ⁽¹⁾ TMPH	e mm inch	D mm inch	R' mm inch	RC mm inch	Tread depth mm 32rd	Dual Spacing mm inch	Cap. liter gallon	Measuring ⁽²⁾ ⁽³⁾ Recommended Rim	Other Approved ⁽²⁾ ⁽³⁾ Rims
X-TRACTION E4T ** 21.00 R 33 Tubeless	294197	18	202	572	2007	907	6064	71	697	851	15.00/3.0	
		11.2										
		138	192	22.5	79	35.7	238.7	89.4	27.4	224.8		
Bar	4	4.5	5	5.5	6	6.5	7					
Psi	58	65	73	80	87	94	102					
Machine - Use (kg - lbs)	TRANSPORT											
STANDARD	9315 20540	10250 22601	11185 24663	12125 26736	13065 28808	14000 30870	14470 31906					

COMMERCIAL DESCRIPTION	CAI MSPN	Max. dist./hour km mile	TKPH ⁽¹⁾ TMPH	e mm inch	D mm inch	R' mm inch	RC mm inch	Tread depth mm 32rd	Dual Spacing mm inch	Cap. liter gallon	Measuring ⁽²⁾ ⁽³⁾ Recommended Rim	Other Approved ⁽²⁾ ⁽³⁾ Rims
X-HAUL S E4P ** 21.00 R 33 Tubeless	612785 08931	25	280	550	1966	895	5955	53	697	820	15.00/3.0	
		15.5										
		19.2	192	21.7	77.4	35.2	234.4	66.8	27.4	216.6		
Bar	4	4.5	5	5.5	6	6.5	7					
Psi	58	65	73	80	87	94	102					
Machine - Use (kg - lbs)	TRANSPORT											
STANDARD	9315 20540	10250 22601	11185 24663	12125 26736	13065 28808	14000 30870	14470 31906					

TIRE LOAD IN KG/LB – TIRE PRESSURE IN BAR/PSI

COMMERCIAL DESCRIPTION	CAI MSPN	Max. dist./hour km mile	TKPH ⁽¹⁾ TMPH	e mm inch	D mm inch	R' mm inch	RC mm inch	Tread depth mm 32rd	Dual Spacing mm inch	Cap. liter gallon	Measuring ⁽²⁾ (3) Recommended Rim	Other Approved ⁽²⁾ (3) Rims
XLD D2 L5 ** 35/65 R 33 Tubeless	592188 29247	10 6.2		926 36.5	2060 81.1	902 35.5	6150 242.1	97 122.2		1457 384.9	28.00/3.5	
Bar	2	2.5	3	3.5	4	4.5	5	5.5	6	6.5		
Psi	29	36	44	51	58	65	73	80	87	94		
Machine - Use (kg - lbs)	LOADER											
FRONT LADEN				16100 35501	17700 39029	19000 41895	21200 46746	23000 50715	24300 53582	25750 56779	28000 61740	
REAR UNLADEN				12900 28445	14200 31311	15200 33516	16950 37375	18400 40572	19450 42887	20600 45423	22400 49392	
Machine - Use (kg - lbs)	UNDERGROUND TRANSPORT MACHINE											
ALL AXLES				13600 29988	15500 34178	17000 37485	18500 40793	20000 44100	21800 48069	23000 50715	24300 53582	

COMMERCIAL DESCRIPTION	CAI MSPN	Max. dist./hour km mile	TKPH ⁽¹⁾ TMPH	e mm inch	D mm inch	R' mm inch	RC mm inch	Tread depth mm 32rd	Dual Spacing mm inch	Cap. liter gallon	Measuring ⁽²⁾ (3) Recommended Rim	Other Approved ⁽²⁾ (3) Rims
XMINE D2 L5 ** 35/65 R 33 Tubeless	944666 67187	6 3.7		921 36.3	2051 80.7	916 36.1	6169 242.9	93 117.2		1338 353.5	28.00/3.5	
Bar	2	2.5	3	3.5	4	4.5	5	5.5	6	6.5		
Psi	29	36	44	51	58	65	73	80	87	94		
Machine - Use (kg - lbs)	LOADER											
FRONT LADEN				16100 35501	17700 39029	19000 41895	21200 46746	23000 50715	24300 53582	25750 56779	28000 61740	
REAR UNLADEN				12900 28445	14200 31311	15200 33516	16950 37375	18400 40572	19450 42887	20600 45423	22400 49392	
Machine - Use (kg - lbs)	UNDERGROUND TRANSPORT MACHINE											
ALL AXLES				13600 29988	15500 34178	17000 37485	18500 40793	20000 44100	21800 48069	23000 50715	24300 53582	

COMMERCIAL DESCRIPTION	CAI MSPN	Max. dist./hour km mile	TKPH ⁽¹⁾ TMPH	e mm inch	D mm inch	R' mm inch	RC mm inch	Tread depth mm 32rd	Dual Spacing mm inch	Cap. liter gallon	Measuring ⁽²⁾ (3) Recommended Rim	Other Approved ⁽²⁾ (3) Rims
XLD D1 A L4R ** 35/65 R 33 Tubeless	143231 33617	14 8.7		923 36.3	2056 80.9	899 35.4	6135 241.5	60 75.6		1550 409.5	28.00/3.5	
Bar	2	2.5	3	3.5	4	4.5	5	5.5	6	6.5		
Psi	29	36	44	51	58	65	73	80	87	94		
Machine - Use (kg - lbs)	LOADER											
FRONT LADEN				16100 35501	17700 39029	19000 41895	21200 46746	23000 50715	24300 53582	25750 56779	28000 61740	
REAR UNLADEN				12900 28445	14200 31311	15200 33516	16950 37375	18400 40572	19450 42887	20600 45423	22400 49392	
Machine - Use (kg - lbs)	UNDERGROUND TRANSPORT MACHINE											
ALL AXLES				13600 29988	15500 34178	17000 37485	18500 40793	20000 44100	21800 48069	23000 50715	24300 53582	

COMMERCIAL DESCRIPTION	CAI MSPN	Max. dist./hour km mile	TKPH ⁽¹⁾ TMPH	e mm inch	D mm inch	R' mm inch	RC mm inch	Tread depth mm 32rd	Dual Spacing mm inch	Cap. liter gallon	Measuring ⁽²⁾ (3) Recommended Rim	Other Approved ⁽²⁾ (3) Rims
X MINE D2 EXTRA LOAD L5 TL *** 35/65 R 33 Tubeless	038242 61090	6 3.7		921 36.3	2077 81.8	923 36.3	6236 245.5	93 117.2		1410 372.5	28.00/3.5	
Bar	3	4	4.5	5	5.5	6	6.5	7	7.5	8		
Psi	44	58	65	73	80	87	94	102	109	116		
Machine - Use (kg - lbs)	LOADER											
FRONT LADEN	16100 35501	19000 41895	21200 46746	23000 50715	24300 53582	25750 56779	28000 61740	30000 66150	31500 69458	32500 71663		
REAR UNLADEN	12900 28445	15200 33516	16950 37375	18400 40572	19450 42887	20600 45423	22400 49392	24000 52920	25200 55566	26000 57330		

TIRE LOAD IN KG/LB – TIRE PRESSURE IN BAR/PSI

COMMERCIAL DESCRIPTION	CAI MSPN	Max. dist./hour km mile	TKPH ⁽¹⁾ TMPH	e mm inch	D mm inch	R' mm inch	RC mm inch	Tread depth mm 32rd	Dual Spacing mm inch	Cap. liter gallon	Measuring ⁽²⁾⁽³⁾ Recommended Rim	Other Approved ⁽²⁾⁽³⁾ Rims
XSM D2+ L5S ** 35/65 R 33 Tubeless	980846 39998	4 2.5		921 36.3	2050 80.7	916 36.1	6166 242.8	97 122.2		1350 356.7	28.00/3.5	
Bar	2	2.5		3	3.5	4	4.5	5	5.5	6	6.5	
Psi	29	36		44	51	58	65	73	80	87	94	
Machine - Use (kg - lbs)	LOADER											
FRONT LADEN				16100 35501	17700 39029	19000 41895	21200 46746	23000 50715	24300 53582	25750 56779	28000 61740	
REAR UNLADEN				12900 28445	14200 31311	15200 33516	16950 37375	18400 40572	19450 42887	20600 45423	22400 49392	

COMMERCIAL DESCRIPTION	CAI MSPN	Max. dist./hour km mile	TKPH ⁽¹⁾ TMPH	e mm inch	D mm inch	R' mm inch	RC mm inch	Tread depth mm 32rd	Dual Spacing mm inch	Cap. liter gallon	Measuring ⁽²⁾⁽³⁾ Recommended Rim	Other Approved ⁽²⁾⁽³⁾ Rims
XSM DN+ L3S *** 35/65 R 33 Tubeless ⁽⁹⁾	432610 07865	10 6.2		920 36.2	2022 79.6	897 35.3	6066 238.8	49 61.7		1547 408.7	28.00/3.5	
Bar	3	4		4.5	5	5.5	6	6.5	7	7.5	8	
Psi	44	58		65	73	80	87	94	102	109	116	
Machine - Use (kg - lbs)	LOADER											
FRONT LADEN	16100 35501	19000 41895		21200 46746	23000 50715	24300 53582	25750 56779	28000 61740	30000 66150	31500 6946	32500 71663	
REAR UNLADEN	12900 28445	15200 33516		16950 37375	18400 40572	19450 42887	20600 45423	22400 49392	24000 52920	25200 55566	26000 57330	

COMMERCIAL DESCRIPTION	CAI MSPN	Max. dist./hour km mile	TKPH ⁽¹⁾ TMPH	e mm inch	D mm inch	R' mm inch	RC mm inch	Tread depth mm 32rd	Dual Spacing mm inch	Cap. liter gallon	Measuring ⁽²⁾⁽³⁾ Recommended Rim	Other Approved ⁽²⁾⁽³⁾ Rims
XSM DN L3S 35/65 R 33 Tubeless	123052 92439	10 6.2		918 36.1	2012 79.2	899 35.4	6052 238.3	44 55.4		1550 409.5	28.00/3.5	
Bar	2	2.5		3	3.5	4	4.5	5	5.5	6		
Psi	29	36		44	51	58	65	73	80	87		
Machine - Use (kg - lbs)	LOADERS											
FRONT LADEN	13750 30319	14850 32744		16100 35501	17700 39029	19000 41895	21200 46746	23000 50715	24150 53251	25300 55787		
REAR UNLADEN	10990 24233	11870 26173		12870 28378	14170 31245	15200 33516	16950 37375	18400 40572	19300 42557	20250 44651		
Machine - Use (kg - lbs)	UNDERGROUND TRANSPORT MACHINE											
ALL AXLES				13600 29988	15500 34178	17000 37485	18500 40793	20000 44100	21800 48069	23000 50715		

COMMERCIAL DESCRIPTION	CAI MSPN	Max. dist./hour km mile	TKPH ⁽¹⁾ TMPH	e mm inch	D mm inch	R' mm inch	RC mm inch	Tread depth mm 32rd	Dual Spacing mm inch	Cap. liter gallon	Measuring ⁽²⁾⁽³⁾ Recommended Rim	Other Approved ⁽²⁾⁽³⁾ Rims
XTRA POWER L5 *** 35/65 R 33 Tubeless	169990 51910	10 6.2 if load per tire <= 28 t		930 36.6	2058 81	905 36	6154 242	95 119.7		1403 370.7	28.00/3.5	
Bar	3	4		4.5	5	5.5	6	6.5	7	7.5	8	
Psi	44	58		65	73	80	87	94	102	109	116	
Machine - Use (kg - lbs)	LOADER LOAD PER TIRE <= 28 T											
FRONT LADEN	16100 35501	19000 41895		21200 46746	23000 50715	24300 53582	25750 56779	28000 61740				
REAR UNLADEN	12900 28445	15200 33516		16950 37375	18400 40572	19450 42887	20600 45423	22400 49392				
Machine - Use (kg - lbs)	LOADER LOAD PER TIRE > 28 T											
FRONT LADEN									30000 66150	31500 69458	32500 71663	
REAR UNLADEN									24000 52920	25200 55566	26000 57330	

TIRE LOAD IN KG/LB – TIRE PRESSURE IN BAR/PSI

COMMERCIAL DESCRIPTION	CAI MSPN	Max. dist./hour km mile	TKPH ⁽¹⁾ TMPH	e mm inch	D mm inch	R' mm inch	RC mm inch	Tread depth mm 32rd	Dual Spacing mm inch	Cap. liter gallon	Measuring ⁽²⁾⁽³⁾ Recommended Rim	Other Approved ⁽²⁾⁽³⁾ Rims
X UM HAUL SH-4 **** 225A8 35/65 R 33 Tubeless ⁽⁹⁾	645051 78667	14 8.7	360 247	922 36.3	2081 81.9			60 75.6		1505 397.6	28.00/3.5	
Bar	4.5	5	5.5	6	6.5	7						
Psi	65	73	80	87	94	102						
Machine - Use (kg - lbs)	UNDERGROUND TRANSPORT MACHINE											
ALL AXLES	23000 50715	24300 53582	25750 56779	27250 60086	29000 63945	31500 69458						

COMMERCIAL DESCRIPTION	CAI MSPN	Max. dist./hour km mile	TKPH ⁽¹⁾ TMPH	e mm inch	D mm inch	R' mm inch	RC mm inch	Tread depth mm 32rd	Dual Spacing mm inch	Cap. liter gallon	Measuring ⁽²⁾⁽³⁾ Recommended Rim	Other Approved ⁽²⁾⁽³⁾ Rims
XTXL E4 **** L4 *** 229A2 35/65 R 33 Tubeless	845075 46729	14 8.7 if load per tire <=28 t 10 6.2 if load per tire >28 t	250 171	907 35.7	2026 79.8	887 34.9	6048 238.1	60 75.6		1474 389.4	28.00/3.5	
Bar	3	4	4.5	5	5.5	6	6.5	7	7.5	8		
Psi	44	58	65	73	80	87	94	102	109	116		
Machine - Use (kg - lbs)	LOADER LOAD PER TIRE <= 28 T											
FRONT LADEN	16100 35501	19000 41895	21200 46746	23000 50715	24300 53582	25750 56779	28000 61740					
REAR UNLADEN	12900 28445	15200 33516	16950 37375	18400 40572	19450 42887	20600 45423	22400 49392					
Machine - Use (kg - lbs)	LOADER LOAD PER TIRE > 28 T											
FRONT LADEN										30000 66150	31500 69458	32500 71663
REAR UNLADEN										24000 52920	25200 55566	26000 57330
Machine - Use (kg - lbs)	UNDERGROUND TRANSPORT MACHINE											
ALL AXLES				20000 44100	21200 46746	23000 50715	24300 53582	25750 56779	27250 60086	29000 63945		

BLOCK HANDLING (SEE DETAILS IN THE SECTION: HELP WITH THE USE OF EARTHMOVER TIRES)

COMMERCIAL DESCRIPTION	CAI MSPN	Max. dist./hour km mile	TKPH ⁽¹⁾ TMPH	e mm inch	D mm inch	R' mm inch	RC mm inch	Tread depth mm 32rd	Dual Spacing mm inch	Cap. liter gallon	Measuring ⁽²⁾⁽³⁾ Recommended Rim	Other Approved ⁽²⁾⁽³⁾ Rims
XTXL E4 **** 35/65 R 33 Tubeless	970355 34351		250 171	907 35.7	2026 79.8	893 35.2	6063 238.7	60 75.6		1546 408.5	28.00/3.5	
Bar	3	4	4.5	5	5.5	6	6.5	7	7.5	8		
Psi	44	58	65	73	80	87	94	102	109	116		
Machine - Use (kg - lbs)	UNDERGROUND TRANSPORT MACHINE											
ALL AXLES				20000 44100	21200 46746	23000 50715	24300 53582	25750 56779	27250 60086	29000 63945		

COMMERCIAL DESCRIPTION	CAI MSPN	Max. dist./hour km mile	TKPH ⁽¹⁾ TMPH	e mm inch	D mm inch	R' mm inch	RC mm inch	Tread depth mm 32rd	Dual Spacing mm inch	Cap. liter gallon	Measuring ⁽²⁾⁽³⁾ Recommended Rim	Other Approved ⁽²⁾⁽³⁾ Rims
XTXL S E4 **** 35/65 R 33 Tubeless ⁽⁹⁾	771025 91242		320 219	907 35.7	2026 79.8	893 35.2	6063 238.7	60 75.6		1546 408.5	28.00/3.5	
Bar	3	4	4.5	5	5.5	6	6.5	7	7.5	8		
Psi	44	58	65	73	80	87	94	102	109	116		
Machine - Use (kg - lbs)	UNDERGROUND TRANSPORT MACHINE											
ALL AXLES				20000 44100	21200 46746	23000 50715	24300 53582	25750 56779	27250 60086	29000 63945		

TIRE LOAD IN KG/LB – TIRE PRESSURE IN BAR/PSI

35"

COMMERCIAL DESCRIPTION	CAI MSPN	Max. dist./hour km mile	TKPH ⁽¹⁾ TMPH	e mm inch	D mm inch	R' mm inch	RC mm inch	Tread depth mm 32rd	Dual Spacing mm inch	Cap. liter gallon	Measuring ⁽²⁾⁽³⁾ Recommended Rim	Other Approved ⁽²⁾⁽³⁾ Rims
XDT B E4T ** 21.00 R 35 Tubeless	123881 40692	30 18.6	348 238	576 22.7	2062 81.2	937 36.9	6242 245.7	61 76.9		900 237.8	15.00/3.0IN	15.00/3.0 17.00/3.0
Bar	4.5	5	5.5	6	6.5	7						
Psi	65	73	80	87	94	102						
Machine - Use (kg - lbs)	TRANSPORT											
STANDARD	11450 25247	12450 27452	13500 29768	14500 31973	15000 33075	15500 34178						

COMMERCIAL DESCRIPTION	CAI MSPN	Max. dist./hour km mile	TKPH ⁽¹⁾ TMPH	e mm inch	D mm inch	R' mm inch	RC mm inch	Tread depth mm 32rd	Dual Spacing mm inch	Cap. liter gallon	Measuring ⁽²⁾⁽³⁾ Recommended Rim	Other Approved ⁽²⁾⁽³⁾ Rims
XDT A4 E4T ** 21.00 R 35 Tubeless	123921 94773	18 11.2	209 143	576 22.7	2062 81.2	937 36.9	6242 245.7	61 76.9		900 237.8	15.00/3.0IN	15.00/3.0 17.00/3.0
Bar	4.5	5	5.5	6	6.5	7						
Psi	65	73	80	87	94	102						
Machine - Use (kg - lbs)	TRANSPORT											
STANDARD	11450 25247	12450 27452	13500 29768	14500 31973	15000 33075	15500 34178						

COMMERCIAL DESCRIPTION	CAI MSPN	Max. dist./hour km mile	TKPH ⁽¹⁾ TMPH	e mm inch	D mm inch	R' mm inch	RC mm inch	Tread depth mm 32rd	Dual Spacing mm inch	Cap. liter gallon	Measuring ⁽²⁾⁽³⁾ Recommended Rim	Other Approved ⁽²⁾⁽³⁾ Rims
X-QUARRY S E4R ** 21.00 R 35 Tubeless	765959 79316	19 11.8	220 151	599 23.6	2068 81.4	934 36.8	6245 245.9	67 84.4	703 27.7	952 251.5	15.00/3.0IN	15.00/3.0 17.00/3.0
Bar	4.5	5	5.5	6	6.5	7						
Psi	65	73	80	87	94	102						
Machine - Use (kg - lbs)	TRANSPORT											
STANDARD	11450 25247	12450 27452	13500 29768	14500 31973	15000 33075	15500 34178						

COMMERCIAL DESCRIPTION	CAI MSPN	Max. dist./hour km mile	TKPH ⁽¹⁾ TMPH	e mm inch	D mm inch	R' mm inch	RC mm inch	Tread depth mm 32rd	Dual Spacing mm inch	Cap. liter gallon	Measuring ⁽²⁾⁽³⁾ Recommended Rim	Other Approved ⁽²⁾⁽³⁾ Rims
XDT B E4T ** 24.00 R 35 Tubeless	123931 88632	30 18.6	444 304	652 25.7	2162 85.1	978 38.5	6533 257.2	68 85.7	825 32.5	1150 303.8	17.00/3.5	15.00/3.5
Bar	4.5	5	5.5	6	6.5	7	7.5	8				
Psi	65	73	80	87	94	102	109	116				
Machine - Use (kg - lbs)	TRANSPORT											
STANDARD	13950 30760	15050 33185	16300 35942	17350 38257	18500 40793	19050 42005	19625 43273	20200 44541				

COMMERCIAL DESCRIPTION	CAI MSPN	Max. dist./hour km mile	TKPH ⁽¹⁾ TMPH	e mm inch	D mm inch	R' mm inch	RC mm inch	Tread depth mm 32rd	Dual Spacing mm inch	Cap. liter gallon	Measuring ⁽²⁾⁽³⁾ Recommended Rim	Other Approved ⁽²⁾⁽³⁾ Rims
XDT A E4T ** 24.00 R 35 Tubeless	123941 51059	22 13.7	326 223	652 25.7	2162 85.1	978 38.5	6533 257.2	68 85.7	825 32.5	1150 303.8	17.00/3.5	15.00/3.5
Bar	4.5	5	5.5	6	6.5	7	7.5	8				
Psi	65	73	80	87	94	102	109	116				
Machine - Use (kg - lbs)	TRANSPORT											
STANDARD	13950 30760	15050 33185	16300 35942	17350 38257	18500 40793	19050 42005	19625 43273	20200 44541				

COMMERCIAL DESCRIPTION	CAI MSPN	Max. dist./hour km mile	TKPH ⁽¹⁾ TMPH	e mm inch	D mm inch	R' mm inch	RC mm inch	Tread depth mm 32rd	Dual Spacing mm inch	Cap. liter gallon	Measuring ⁽²⁾⁽³⁾ Recommended Rim	Other Approved ⁽²⁾⁽³⁾ Rims
XDT A4 E4T ** 24.00 R 35 Tubeless	123951 65909	18 11.2	266 182	652 25.7	2162 85.1	978 38.5	6533 257.2	68 85.7	825 32.5	1150 303.8	17.00/3.5	15.00/3.5
Bar	4.5	5	5.5	6	6.5	7	7.5	8				
Psi	65	73	80	87	94	102	109	116				
Machine - Use (kg - lbs)	TRANSPORT											
STANDARD	13950 30760	15050 33185	16300 35942	17350 38257	18500 40793	19050 42005	19625 43273	20200 44541				

TIRE LOAD IN KG/LB – TIRE PRESSURE IN BAR/PSI

COMMERCIAL DESCRIPTION	CAI MSPN	Max. dist./hour km mile	TKPH ⁽¹⁾ TMPH	e mm inch	D mm inch	R' mm inch	RC mm inch	Tread depth mm 32rd	Dual Spacing mm inch	Cap. liter gallon	Measuring ^{(2) (3)} Recommended Rim	Other Approved ^{(2) (3)} Rims
X-HAUL E4P ** 24.00 R 35 Tubeless	087693 89581	24 14.9	355 243	645 25.4	2155 84.8	995 39.2	6562 258.3	60 75.6	825 32.5	1150 303.8	17.00/3.5	15.00/3.5
Bar	4.5	5	5.5	6	6.5	7	7.5	8				
Psi	65	73	80	87	94	102	109	116				
Machine - Use (kg - lbs)	TRANSPORT											
STANDARD	13950 30760	15050 33185	16300 35942	17350 38257	18500 40793	19050 42005	19625 43273	20200 44541				

COMMERCIAL DESCRIPTION	CAI MSPN	Max. dist./hour km mile	TKPH ⁽¹⁾ TMPH	e mm inch	D mm inch	R' mm inch	RC mm inch	Tread depth mm 32rd	Dual Spacing mm inch	Cap. liter gallon	Measuring ^{(2) (3)} Recommended Rim	Other Approved ^{(2) (3)} Rims
X-QUARRY S E4R ** 24.00 R 35 Tubeless	412539 93536	19 11.8	281 192	659 25.9	2156 84.9	976 38.4	6517 256.6	70 88.2		1157 305.7	17.00/3.5	15.00/3.5
Bar	4.5	5	5.5	6	6.5	7	7.5	8				
Psi	65	73	80	87	94	102	109	116				
Machine - Use (kg - lbs)	TRANSPORT											
STANDARD	13950 30760	15050 33185	16300 35942	17350 38257	18500 40793	19050 42005	19625 43273	20200 44541				

COMMERCIAL DESCRIPTION	CAI MSPN	Max. dist./hour km mile	TKPH ⁽¹⁾ TMPH	e mm inch	D mm inch	R' mm inch	RC mm inch	Tread depth mm 32rd	Dual Spacing mm inch	Cap. liter gallon	Measuring ^{(2) (3)} Recommended Rim	Other Approved ^{(2) (3)} Rims
XTRA LOAD GRIP B E4 24.00 R 35 Tubeless ***	302244 86007	34 21.1 if load per tire <=18.5 t 31 19.3 if load per tire >18.5 t	503 345	666 26.2	2163 85.2	976 38.4	6531 257.1	73 92	795 31.3	1169 308.8	17.00/3.5	15.00/3.5
Bar	4.5	5	5.5	6	6.5	7	7.25	7.5	7.75	8		
Psi	65	73	80	87	94	102	105	109	112	116		
Machine - Use (kg - lbs)	TRANSPORT LOAD PER TIRE <= 18.5 T											
STANDARD	13950 30760	15050 33185	16300 35942	17350 38257	18500 40793							
Machine - Use (kg - lbs)	TRANSPORT LOAD PER TIRE > 18.5 T											
STANDARD							19500 42998	20000 44100	20500 45203	21000 46305	21500 47408	

COMMERCIAL DESCRIPTION	CAI MSPN	Max. dist./hour km mile	TKPH ⁽¹⁾ TMPH	e mm inch	D mm inch	R' mm inch	RC mm inch	Tread depth mm 32rd	Dual Spacing mm inch	Cap. liter gallon	Measuring ^{(2) (3)} Recommended Rim	Other Approved ^{(2) (3)} Rims
XTRA LOAD GRIP A4 E4 24.00 R 35 Tubeless ***	559900 77075	22 13.7 if load per tire <=18.5 t 20 12.4 if load per tire >18.5 t	320 219	666 26.2	2163 85.2	976 38.4	6531 257.1	73 92	795 31.3	1169 308.8	17.00/3.5	15.00/3.5
Bar	4.5	5	5.5	6	6.5	7	7.25	7.5	7.75	8		
Psi	65	73	80	87	94	102	105	109	112	116		
Machine - Use (kg - lbs)	TRANSPORT LOAD PER TIRE <= 18.5 T											
STANDARD	13950 30760	15050 33185	16300 35942	17350 38257	18500 40793							
Machine - Use (kg - lbs)	TRANSPORT LOAD PER TIRE > 18.5 T											
STANDARD							19500 42998	20000 44100	20500 45203	21000 46305	21500 47408	

TIRE LOAD IN KG/LB – TIRE PRESSURE IN BAR/PSI

COMMERCIAL DESCRIPTION	CAI MSPN	Max. dist./hour km mile	TKPH ⁽¹⁾ TMPH	e mm inch	D mm inch	R' mm inch	RC mm inch	Tread depth mm 32rd	Dual Spacing mm inch	Cap. liter gallon	Measuring ⁽²⁾⁽³⁾ Recommended Rim	Other Approved ⁽²⁾⁽³⁾ Rims
XTRA LOAD PROTECT B E4 24.00 R 35 Tubeless ***	488798 67386	34 21.1 if load per tire <=18.5 t	503 345	670 26.4	2162 85.1	978 38.5	6533 257.2	70 88.2	795 31.3	1169 308.8	17.00/3.5	15.00/3.5
		31 19.3 if load per tire >18.5 t										

Bar	4.5	5	5.5	6	6.5	7	7.25	7.5	7.75	8
Psi	65	73	80	87	94	102	105	109	112	116

Machine - Use (kg - lbs) TRANSPORT LOAD PER TIRE <= 18.5 T

STANDARD	13950	15050	16300	17350	18500
	30760	33185	35942	38257	40793

Machine - Use (kg - lbs) TRANSPORT LOAD PER TIRE > 18.5 T

STANDARD				19500	20000	20500	21000	21500
				42998	44100	45203	46305	47408

COMMERCIAL DESCRIPTION	CAI MSPN	Max. dist./hour km mile	TKPH ⁽¹⁾ TMPH	e mm inch	D mm inch	R' mm inch	RC mm inch	Tread depth mm 32rd	Dual Spacing mm inch	Cap. liter gallon	Measuring ⁽²⁾⁽³⁾ Recommended Rim	Other Approved ⁽²⁾⁽³⁾ Rims
XTRA LOAD PROTECT A4 E4 24.00 R 35 Tubeless ***	388190 05723	22 13.7 if load per tire <=18.5 t	320 219	670 26.4	2162 85.1	978 38.5	6533 257.2	70 88.2	795 31.3	1169 308.8	17.00/3.5	15.00/3.5
		20 12.4 if load per tire >18.5 t										

Bar	4.5	5	5.5	6	6.5	7	7.25	7.5	7.75	8
Psi	65	73	80	87	94	102	105	109	112	116

Machine - Use (kg - lbs) TRANSPORT LOAD PER TIRE <= 18.5 T

STANDARD	13950	15050	16300	17350	18500
	30760	33185	35942	38257	40793

Machine - Use (kg - lbs) TRANSPORT LOAD PER TIRE > 18.5 T

STANDARD				19500	20000	20500	21000	21500
				42998	44100	45203	46305	47408

COMMERCIAL DESCRIPTION	CAI MSPN	Max. dist./hour km mile	TKPH ⁽¹⁾ TMPH	e mm inch	D mm inch	R' mm inch	RC mm inch	Tread depth mm 32rd	Dual Spacing mm inch	Cap. liter gallon	Measuring ⁽²⁾⁽³⁾ Recommended Rim	Other Approved ⁽²⁾⁽³⁾ Rims
X-TRACTION SC E4T ** 24.00 R 35 Tubeless	622698 29754	22 13.7	326 223	676 26.6	2187 86.1	982 38.7	6592 259.5	77 97	825 32.5	1223 323.1	17.00/3.5	15.00/3.5

Bar	3	4	4.5	5	5.5	6	6.5	7
Psi	44	58	65	73	80	87	94	102

Machine - Use (kg - lbs) TRANSPORT

STANDARD			13950	15050	16300	17350	18500	19050
			30760	33185	35942	38257	40793	42005

COMMERCIAL DESCRIPTION	CAI MSPN	Max. dist./hour km mile	TKPH ⁽¹⁾ TMPH	e mm inch	D mm inch	R' mm inch	RC mm inch	Tread depth mm 32rd	Dual Spacing mm inch	Cap. liter gallon	Measuring ⁽²⁾⁽³⁾ Recommended Rim	Other Approved ⁽²⁾⁽³⁾ Rims
XV C E2 ** 24.00 R 35 Tubeless ⁽⁹⁾	271650 10223	50 31.1	740 507	668 26.3	2118 83.4	947 37.3	6372 250.9	30 37.8	825 32.5	1264 333.9	17.00/3.5	15.00/3.5

Bar	4.5	5	5.5	6	6.5	7	7.5	8
Psi	65	73	80	87	94	102	109	116

Machine - Use (kg - lbs) TRANSPORT

STANDARD	13950	15050	16300	17350	18500	19050	19625	20200
	30760	33185	35942	38257	40793	42005	43273	44541

TIRE LOAD IN KG/LB – TIRE PRESSURE IN BAR/PSI

COMMERCIAL DESCRIPTION	CAI MSPN	Max. dist./hour km mile	TKPH ⁽¹⁾ TMPH	e mm inch	D mm inch	R' mm inch	RC mm inch	Tread depth mm 32rd	Dual Spacing mm inch	Cap. liter gallon	Measuring ⁽²⁾⁽³⁾ Recommended Rim	Other Approved ⁽²⁾⁽³⁾ Rims
XTS E3T ** 29.5 R 35 Tubeless	631225 64173	29 18	371 254	777 30.6	2116 83.3	943 37.1	6539 257.4	45 56.7		1494 394.7	25.00/3.5	27.00/3.5
Bar	3.5	3.75	4	4.25	4.5	5	5	5.5				
Psi	51	54	58	62	65	73	73	80				
Machine - Use (kg - lbs)	TRANSPORT											
STANDARD	13200 29106	13900 30650	14600 32193	15300 33737	16000 35280	17400 38367	18100 39911					

COMMERCIAL DESCRIPTION	CAI MSPN	Max. dist./hour km mile	TKPH ⁽¹⁾ TMPH	e mm inch	D mm inch	R' mm inch	RC mm inch	Tread depth mm 32rd	Dual Spacing mm inch	Cap. liter gallon	Measuring ⁽²⁾⁽³⁾ Recommended Rim	Other Approved ⁽²⁾⁽³⁾ Rims
XRS B E4R ** 37.25 R 35 Tubeless	123673 75762	22 13.7	415 284	947 37.3	2364 93.1	1063 41.9	7127 280.6	53 66.8		2250 594.4	31.00/4.0	29.00/3.5
Bar	3.75	4	4.25	4.5	5	5.5	6	6.5				
Psi	54	58	62	65	73	80	87	94				
Machine - Use (kg - lbs)	TRANSPORT											
STANDARD	17950 39580	18500 40793	19350 42667	20200 44541	21900 48290	23600 52038	24450 53912	25300 55787				

COMMERCIAL DESCRIPTION	CAI MSPN	Max. dist./hour km mile	TKPH ⁽¹⁾ TMPH	e mm inch	D mm inch	R' mm inch	RC mm inch	Tread depth mm 32rd	Dual Spacing mm inch	Cap. liter gallon	Measuring ⁽²⁾⁽³⁾ Recommended Rim	Other Approved ⁽²⁾⁽³⁾ Rims
XTS E3T ** 37.25 R 35 Tubeless	540244 54190	29 18	540 370	956 37.6	2370 93.3	1070 42.1	7157 281.8	59 74.3		2400 634.1	31.00/4.0	29.00/3.5
Bar	3.75	4	4.25	4.5	5	5.5	6	6.5				
Psi	54	58	62	65	73	80	87	94				
Machine - Use (kg - lbs)	TRANSPORT											
STANDARD	17950 39580	18500 40793	19350 42667	20200 44541	21900 48290	23600 52038	24450 53912	25300 55787				

39"

COMMERCIAL DESCRIPTION	CAI MSPN	Max. dist./hour km mile	TKPH ⁽¹⁾ TMPH	e mm inch	D mm inch	R' mm inch	RC mm inch	Tread depth mm 32rd	Dual Spacing mm inch	Cap. liter gallon	Measuring ⁽²⁾⁽³⁾ Recommended Rim	Other Approved ⁽²⁾⁽³⁾ Rims
XRS E4R ** 37.5 R 39 Tubeless	856011 45909	22 13.7	453 310	976 38.4	2517 99.1	1129 44.4	7583 298.5	56 70.6		2624 693.3	32.00/4.5	
Bar	3	3.5	4	4.25	4.5	5	5.5	6				
Psi	44	51	58	62	65	73	80	87				
Machine - Use (kg - lbs)	TRANSPORT											
STANDARD	18100 39911	20000 44100	21900 48290	22900 50495	23850 52589	25750 56779	26700 58874	27650 60968				

COMMERCIAL DESCRIPTION	CAI MSPN	Max. dist./hour km mile	TKPH ⁽¹⁾ TMPH	e mm inch	D mm inch	R' mm inch	RC mm inch	Tread depth mm 32rd	Dual Spacing mm inch	Cap. liter gallon	Measuring ⁽²⁾⁽³⁾ Recommended Rim	Other Approved ⁽²⁾⁽³⁾ Rims
XMS B E3R ** 40.5/75 R 39 Tubeless	379296 93211	33 20.5	766 525	998 39.3	2588 101.9	1151 45.3	7770 305.9	51 64.3		2940 776.7	32.00/4.5	
Bar	3	3.5	4	4.25	4.5	5	5.5	6				
Psi	44	51	58	62	65	73	80	87				
Machine - Use (kg - lbs)	TRANSPORT											
STANDARD	20200 44541	22400 49392	24600 54243	25700 56669	26800 59094	29000 63945	30100 66371	31200 68796				

TIRE LOAD IN KG/LB – TIRE PRESSURE IN BAR/PSI

COMMERCIAL DESCRIPTION	CAI MSPN	Max. dist./hour km mile	TKPH ⁽¹⁾ TMPH	e mm inch	D mm inch	R' mm inch	RC mm inch	Tread depth mm 32rd	Dual Spacing mm inch	Cap. liter gallon	Measuring ⁽²⁾⁽³⁾ Recommended Rim	Other Approved ⁽²⁾⁽³⁾ Rims
XLD D2 L5 ** 242A2 45/65 R 39 Tubeless	519947 48376	10 6.2		1102 43.4	2580 101.6	1116 43.9	7668 301.9	115 144.9		2760 729.2	36.00/4.5	32.00/4.5
Bar	3	3.5		4	4.5	5	5.5	6		6.5		
Psi	44	51		58	65	73	80	87		94		
Machine - Use (kg - lbs) LOADER												
FRONT LADEN	26500 58433	30000 66150		33500 73868	36500 80483	40000 88200	42500 93713	45000 99225		47500 104738		
REAR UNLADEN	21200 46746	24000 52920		26800 59094	29200 64386	32000 70560	34000 74970	36000 79380		38000 83790		

COMMERCIAL DESCRIPTION	CAI MSPN	Max. dist./hour km mile	TKPH ⁽¹⁾ TMPH	e mm inch	D mm inch	R' mm inch	RC mm inch	Tread depth mm 32rd	Dual Spacing mm inch	Cap. liter gallon	Measuring ⁽²⁾⁽³⁾ Recommended Rim	Other Approved ⁽²⁾⁽³⁾ Rims
XMINE D2 L5 ** 242A2 45/65 R 39 Tubeless	785703 01004	6 3.7		1099 43.3	2583 101.7	1132 44.6	7715 303.7	116 146.1		2712 716.5	36.00/4.5	32.00/4.5
Bar	3	3.5		4	4.5	5	5.5	6		6.5		
Psi	44	51		58	65	73	80	87		94		
Machine - Use (kg - lbs) LOADER												
FRONT LADEN	26500 58433	30000 66150		33500 73868	36500 80483	40000 88200	42500 93713	45000 99225		47500 104738		
REAR UNLADEN	21200 46746	24000 52920		26800 59094	29200 64386	32000 70560	34000 74970	36000 79380		38000 83790		

45"

COMMERCIAL DESCRIPTION	CAI MSPN	Max. dist./hour km mile	TKPH ⁽¹⁾ TMPH	e mm inch	D mm inch	R' mm inch	RC mm inch	Tread depth mm 32rd	Dual Spacing mm inch	Cap. liter gallon	Measuring ⁽²⁾⁽³⁾ Recommended Rim	Other Approved ⁽²⁾⁽³⁾ Rims
XMINE D2 L5 ** 244A2 45/65 R 45 Tubeless	651716 00821	6 3.7		1159 45.6	2699 106.3	1193 47	8087 318.4	116 146.1		3020 797.9	36.00/4.5	
Bar	4	4.5		5	5.5	6	6.5					
Psi	58	65		73	80	87	94					
Machine - Use (kg - lbs) LOADER												
FRONT LADEN	35500 78278	38750 85444		42500 93713	45000 99225	47500 104738	51500 113558					
REAR UNLADEN	28400 62622	31000 68355		34000 74970	36000 79380	38000 83790	41200 90846					

COMMERCIAL DESCRIPTION	CAI MSPN	Max. dist./hour km mile	TKPH ⁽¹⁾ TMPH	e mm inch	D mm inch	R' mm inch	RC mm inch	Tread depth mm 32rd	Dual Spacing mm inch	Cap. liter gallon	Measuring ⁽²⁾⁽³⁾ Recommended Rim	Other Approved ⁽²⁾⁽³⁾ Rims
XLD D1 L4 ** 244A2 45/65 R 45 Tubeless	733149 78673	14 8.7		1130 44.5	2703 106.4	1180 46.5	8062 317.4	71 89.4		3330 879.8	36.00/4.5	
Bar	4	4.5		5	5.5	6	6.5					
Psi	58	65		73	80	87	94					
Machine - Use (kg - lbs) LOADER												
FRONT LADEN	35500 78278	38750 85444		42500 93713	45000 99225	47500 104738	51500 113558					
REAR UNLADEN	28400 62622	31000 68355		34000 74970	36000 79380	38000 83790	41200 90846					

COMMERCIAL DESCRIPTION	CAI MSPN	Max. dist./hour km mile	TKPH ⁽¹⁾ TMPH	e mm inch	D mm inch	R' mm inch	RC mm inch	Tread depth mm 32rd	Dual Spacing mm inch	Cap. liter gallon	Measuring ⁽²⁾⁽³⁾ Recommended Rim	Other Approved ⁽²⁾⁽³⁾ Rims
XLD D2 L5 ** 244A2 45/65 R 45 Tubeless	871341 79265	10 6.2		1147 45.2	2703 106.4	1180 46.5	8062 317.4	115 144.9		3020 797.9	36.00/4.5	
Bar	4	4.5		5	5.5	6	6.5					
Psi	58	65		73	80	87	94					
Machine - Use (kg - lbs) LOADER												
FRONT LADEN	35500 78278	38750 85444		42500 93713	45000 99225	47500 104738	51500 113558					
REAR UNLADEN	28400 62622	31000 68355		34000 74970	36000 79380	38000 83790	41200 90846					

TIRE LOAD IN KG/LB – TIRE PRESSURE IN BAR/PSI

49"

COMMERCIAL DESCRIPTION	CAI MSPN	Max. dist./hour km mile	TKPH ⁽¹⁾ TMPH	e mm inch	D mm inch	R' mm inch	RC mm inch	Tread depth mm 32rd	Dual Spacing mm inch	Cap. liter gallon	Measuring ^{(2) (3)} Recommended Rim	Other Approved ^{(2) (3)} Rims
XDR B E4R ** 24.00 R 49 Tubeless	123235 95269	26 16.2	453 310	662 26.1	2529 99.6	1147 45.2	7651 301.2	67 84.4	806 31.7	1466 387.3	17.00/3.5	
Bar	3.5	4	4.5	5	5.5	6	6.5	7	7.5	8		
Psi	51	58	65	73	80	87	94	102	109	116		
Machine - Use (kg - lbs)	TRANSPORT											
STANDARD	13900 30650	15250 33626	16550 36493	17850 39359	19200 42336	20500 45203	21800 48069	22450 49502	23100 50936	23350 51487		

COMMERCIAL DESCRIPTION	CAI MSPN	Max. dist./hour km mile	TKPH ⁽¹⁾ TMPH	e mm inch	D mm inch	R' mm inch	RC mm inch	Tread depth mm 32rd	Dual Spacing mm inch	Cap. liter gallon	Measuring ^{(2) (3)} Recommended Rim	Other Approved ^{(2) (3)} Rims
XDR B4 E4R ** 24.00 R 49 Tubeless	123115 64221	22 13.7	384 263	662 26.1	2529 99.6	1147 45.2	7651 301.2	67 84.4	806 31.7	1466 387.3	17.00/3.5	
Bar	3.5	4	4.5	5	5.5	6	6.5	7	7.5	8		
Psi	51	58	65	73	80	87	94	102	109	116		
Machine - Use (kg - lbs)	TRANSPORT											
STANDARD	13900 30650	15250 33626	16550 36493	17850 39359	19200 42336	20500 45203	21800 48069	22450 49502	23100 50936	23350 51487		

COMMERCIAL DESCRIPTION	CAI MSPN	Max. dist./hour km mile	TKPH ⁽¹⁾ TMPH	e mm inch	D mm inch	R' mm inch	RC mm inch	Tread depth mm 32rd	Dual Spacing mm inch	Cap. liter gallon	Measuring ^{(2) (3)} Recommended Rim	Other Approved ^{(2) (3)} Rims
XD GRIP A4 E4T *** 27.00 R 49 Tubeless	527661 07858	20 12.4 if load per tire <=27.2 t 18 11.2 if load per tire >27.2 t	432 296	733 28.9	2726 107.3	1235 48.6	8242 324.5	79 99.5	892 35.1	1970 520.5	19.50/4.0 [3.2]	19.50/4.0 [2.7]
Bar	3.5	4	4.5	5	5.5	6	6.5	7	7.5	8		
Psi	51	58	65	73	80	87	94	102	109	116		
Machine - Use (kg - lbs)	TRANSPORT LOAD PER TIRE <= 27.25 T											
STANDARD	16850 37154	18550 40903	20300 44762	22050 48620	24000 52920	25500 56228	27250 60086					
Machine - Use (kg - lbs)	TRANSPORT LOAD PER TIRE > 27.25 T											
STANDARD										29000 63945	30000 66150	32100 70781

COMMERCIAL DESCRIPTION	CAI MSPN	Max. dist./hour km mile	TKPH ⁽¹⁾ TMPH	e mm inch	D mm inch	R' mm inch	RC mm inch	Tread depth mm 32rd	Dual Spacing mm inch	Cap. liter gallon	Measuring ^{(2) (3)} Recommended Rim	Other Approved ^{(2) (3)} Rims
XD GRIP B E4T *** 27.00 R 49 Tubeless	047262 38092	32 19.9 if load per tire <=27.2 t 30 18.6 if load per tire >27.2 t	720 493	733 28.9	2726 107.3	1235 48.6	8242 324.5	79 99.5	892 35.1	1970 520.5	19.50/4.0 [3.2]	19.50/4.0 [2.7]
Bar	3.5	4	4.5	5	5.5	6	6.5	7	7.5	8		
Psi	51	58	65	73	80	87	94	102	109	116		
Machine - Use (kg - lbs)	TRANSPORT LOAD PER TIRE <= 27.25 T											
STANDARD	16850 37154	18550 40903	20300 44762	22050 48620	24000 52920	25500 56228	27250 60086					
Machine - Use (kg - lbs)	TRANSPORT LOAD PER TIRE > 27.25 T											
STANDARD										29000 63945	30000 66150	32100 70781

TIRE LOAD IN KG/LB – TIRE PRESSURE IN BAR/PSI

COMMERCIAL DESCRIPTION	CAI MSPN	Max. dist./hour km mile	TKPH ⁽¹⁾ TMPH	e mm inch	D mm inch	R' mm inch	RC mm inch	Tread depth mm 32rd	Dual Spacing mm inch	Cap. liter gallon	Measuring ^{(2) (3)} Recommended Rim	Other Approved ^{(2) (3)} Rims
XD GRIP B4 E4T *** 27.00 R 49 Tubeless	349151 17563	28 17.4 if load per tire <=27.2 t	624 427	733 28.9	2726 107.3	1235 48.6	8242 324.5	79 99.5	892 35.1	1970 520.5	19.50/4.0 [3.2]	19.50/4.0 [2.7]
		26 16.2 if load per tire >27.2 t										
Bar	3.5	4	4.5	5	5.5	6	6.5	7	7.5	8		
Psi	51	58	65	73	80	87	94	102	109	116		
Machine - Use (kg - lbs)	TRANSPORT LOAD PER TIRE <= 27.25 T											
STANDARD	16850 37154	18550 40903	20300 44762	22050 48620	24000 52920	25500 56228	27250 60086					
Machine - Use (kg - lbs)	TRANSPORT LOAD PER TIRE > 27.25 T											
STANDARD									29000 63945	30000 66150	32100 70781	
COMMERCIAL DESCRIPTION	CAI MSPN	Max. dist./hour km mile	TKPH ⁽¹⁾ TMPH	e mm inch	D mm inch	R' mm inch	RC mm inch	Tread depth mm 32rd	Dual Spacing mm inch	Cap. liter gallon	Measuring ^{(2) (3)} Recommended Rim	Other Approved ^{(2) (3)} Rims
XD MINEWORKS E4R ** 27.00 R 49 Tubeless ⁽⁹⁾	716130 83794	25 15.5	545 373	735 28.9	2672 105.2	1206 47.5	8068 317.6	66 83.1	892 35.1	1969 520.2	19.50/4.0 [3.2]	19.50/4.0 [2.7]
Bar	3.5	4	4.5	5	5.5	6	6.5	7	7.5	8		
Psi	51	58	65	73	80	87	94	102	109	116		
Machine - Use (kg - lbs)	TRANSPORT LOAD PER TIRE <= 27.25 T											
STANDARD	16850 37154	18550 40903	20300 44762	22050 48620	24000 52920	25500 56228	27250 60086					
Machine - Use (kg - lbs)	TRANSPORT LOAD PER TIRE > 27.25 T											
STANDARD									29000 63945	30000 66150	32100 70781	
COMMERCIAL DESCRIPTION	CAI MSPN	Max. dist./hour km mile	TKPH ⁽¹⁾ TMPH	e mm inch	D mm inch	R' mm inch	RC mm inch	Tread depth mm 32rd	Dual Spacing mm inch	Cap. liter gallon	Measuring ^{(2) (3)} Recommended Rim	Other Approved ^{(2) (3)} Rims
XDR3 B E4R *** 27.00 R 49 Tubeless	764857 22060	28 17.4 if load per tire <=27.2 t	624 427	730 28.7	2730 107.5	1236 48.7	8252 324.9	90 113.4	892 35.1	1970 520.5	19.50/4.0 [3.2]	19.50/4.0 [2.7]
		26 16.2 if load per tire >27.2 t										
Bar	3.5	4	4.5	5	5.5	6	6.5	7	7.5	8		
Psi	51	58	65	73	80	87	94	102	109	116		
Machine - Use (kg - lbs)	TRANSPORT LOAD PER TIRE <= 27.25 T											
STANDARD	16850 37154	18550 40903	20300 44762	22050 48620	24000 52920	25500 56228	27250 60086					
Machine - Use (kg - lbs)	TRANSPORT LOAD PER TIRE > 27.25 T											
STANDARD									29000 63945	30000 66150	32100 70781	

TIRE LOAD IN KG/LB – TIRE PRESSURE IN BAR/PSI

COMMERCIAL DESCRIPTION	CAI MSPN	Max. dist./hour km mile	TKPH ⁽¹⁾ TMPH	e mm inch	D mm inch	R' mm inch	RC mm inch	Tread depth mm 32rd	Dual Spacing mm inch	Cap. liter gallon	Measuring ^{(2) (3)} Recommended Rim	Other Approved ^{(2) (3)} Rims
XDR3 B4 E4R *** 27.00 R 49 Tubeless	395114 24794	24 14.9	528 362	730 28.7	2730 107.5	1236 48.7	8252 324.9	90 113.4	892 35.1	1970 520.5	19.50/4.0 [3.2]	19.50/4.0 [2.7]
		22 13.7										
Bar	3.5	4	4.5	5	5.5	6	6.5	7	7.5	8		
Psi	51	58	65	73	80	87	94	102	109	116		
Machine - Use (kg - lbs)	TRANSPORT LOAD PER TIRE <= 27.25 T											
STANDARD	16850 37154	18550 40903	20300 44762	22050 48620	24000 52920	25500 56228	27250 60086					
Machine - Use (kg - lbs)	TRANSPORT LOAD PER TIRE > 27.25 T											
STANDARD									29000 63945	30000 66150	32100 70781	

COMMERCIAL DESCRIPTION	CAI MSPN	Max. dist./hour km mile	TKPH ⁽¹⁾ TMPH	e mm inch	D mm inch	R' mm inch	RC mm inch	Tread depth mm 32rd	Dual Spacing mm inch	Cap. liter gallon	Measuring ^{(2) (3)} Recommended Rim	Other Approved ^{(2) (3)} Rims
XDR3 A E4R *** 27.00 R 49 Tubeless	667421	20 12.4	432 296	730 28.7	2730 107.5	1236 48.7	8252 324.9	90 113.4	892 35.1	1970 520.5	19.50/4.0 [3.2]	19.50/4.0 [2.7]
		18 11.2										
Bar	3.5	4	4.5	5	5.5	6	6.5	7	7.5	8		
Psi	51	58	65	73	80	87	94	102	109	116		
Machine - Use (kg - lbs)	TRANSPORT LOAD PER TIRE <= 27.25 T											
STANDARD	16850 37154	18550 40903	20300 44762	22050 48620	24000 52920	25500 56228	27250 60086					
Machine - Use (kg - lbs)	TRANSPORT LOAD PER TIRE > 27.25 T											
STANDARD									29000 63945	30000 66150	32100 70781	

COMMERCIAL DESCRIPTION	CAI MSPN	Max. dist./hour km mile	TKPH ⁽¹⁾ TMPH	e mm inch	D mm inch	R' mm inch	RC mm inch	Tread depth mm 32rd	Dual Spacing mm inch	Cap. liter gallon	Measuring ^{(2) (3)} Recommended Rim	Other Approved ^{(2) (3)} Rims
X-TRACTION RD B E4T ** 27.00 R 49 Tubeless	470320 10116	30 18.6	654 448	743 29.3	2737 107.8	1234 48.6	8262 325.3	81 102	892 35.1	2045 540.3	19.50/4.0 [3.2]	19.50/4.0 [2.7] 22.00/4.0
Bar	3.5	4	4.5	5	5.5	6	6.5	7	7.5	8		
Psi	51	58	65	73	80	87	94	102	109	116		
Machine - Use (kg - lbs)	TRANSPORT											
STANDARD	16850 37154	18550 40903	20300 44762	22050 48620	24000 52920	25500 56228	27250 60086	28100 61961	29000 63945	29850 65819		

COMMERCIAL DESCRIPTION	CAI MSPN	Max. dist./hour km mile	TKPH ⁽¹⁾ TMPH	e mm inch	D mm inch	R' mm inch	RC mm inch	Tread depth mm 32rd	Dual Spacing mm inch	Cap. liter gallon	Measuring ^{(2) (3)} Recommended Rim	Other Approved ^{(2) (3)} Rims
X-TRACTION RD B4 E4T ** 27.00 R 49 Tubeless	166905 68679	26 16.2	567 388	743 29.3	2737 107.8	1234 48.6	8262 325.3	81 102	892 35.1	2045 540.3	19.50/4.0 [3.2]	19.50/4.0 [2.7] 22.00/4.0
Bar	3.5	4	4.5	5	5.5	6	6.5	7	7.5	8		
Psi	51	58	65	73	80	87	94	102	109	116		
Machine - Use (kg - lbs)	TRANSPORT											
STANDARD	16850 37154	18550 40903	20300 44762	22050 48620	24000 52920	25500 56228	27250 60086	28100 61961	29000 63945	29850 65819		

TIRE LOAD IN KG/LB – TIRE PRESSURE IN BAR/PSI

COMMERCIAL DESCRIPTION	CAI MSPN	Max. dist./hour km mile	TKPH ⁽¹⁾ TMPH	e mm inch	D mm inch	R' mm inch	RC mm inch	Tread depth mm 32rd	Dual Spacing mm inch	Cap. liter gallon	Measuring ⁽²⁾ (3) Recommended Rim	Other Approved ⁽²⁾ (3) Rims
X-TRACTION RD A4 E4T ** 27.00 R 49 Tubeless	495676 38957	18 11.2	392 269	743 29.3	2737 107.8	1234 48.6	8262 325.3	81 102	892 35.1	2045 540.3	19.50/4.0 [3.2]	19.50/4.0 [2.7] 22.00/4.0
Bar	3.5	4	4.5	5	5.5	6	6.5	7	7.5	8		
Psi	51	58	65	73	80	87	94	102	109	116		
Machine - Use (kg - lbs)	TRANSPORT											
STANDARD	16850 37154	18550 40903	20300 44762	22050 48620	24000 52920	25500 56228	27250 60086	28100 61961	29000 63945	29850 65819		

COMMERCIAL DESCRIPTION	CAI MSPN	Max. dist./hour km mile	TKPH ⁽¹⁾ TMPH	e mm inch	D mm inch	R' mm inch	RC mm inch	Tread depth mm 32rd	Dual Spacing mm inch	Cap. liter gallon	Measuring ⁽²⁾ (3) Recommended Rim	Other Approved ⁽²⁾ (3) Rims
X-TRACTION S RD B E3T ** 27.00 R 49 Tubeless	689287 35019	35 21.7	763 523	746 29.4	2647 104.2	1190 46.9	7982 314.3	46 58	892 35.1	2045 540.3	19.50/4.0 [3.2]	19.50/4.0 [2.7] 22.00/4.0
Bar	3.5	4	4.5	5	5.5	6	6.5	7	7.5	8		
Psi	51	58	65	73	80	87	94	102	109	116		
Machine - Use (kg - lbs)	TRANSPORT											
STANDARD	16850 37154	18550 40903	20300 44762	22050 48620	24000 52920	25500 56228	27250 60086	28100 61961	29000 63945	29850 65819		

COMMERCIAL DESCRIPTION	CAI MSPN	Max. dist./hour km mile	TKPH ⁽¹⁾ TMPH	e mm inch	D mm inch	R' mm inch	RC mm inch	Tread depth mm 32rd	Dual Spacing mm inch	Cap. liter gallon	Measuring ⁽²⁾ (3) Recommended Rim	Other Approved ⁽²⁾ (3) Rims
XV C E2 ** 27.00 R 49 Tubeless ⁽⁹⁾	280557 06957	50 31.1	1090 747	745 29.3	2648 104.3	1170 46.1	7934 312.4	33 41.6	909 35.8	2060 544.3	19.50/4.0 [3.2]	19.50/4.0 [2.7] 22.00/4.0
Bar	3.5	4	4.5	5	5.5	6	6.5	7	7.5	8		
Psi	51	58	65	73	80	87	94	102	109	116		
Machine - Use (kg - lbs)	TRANSPORT											
STANDARD	16850 37154	18550 40903	20300 44762	22050 48620	24000 52920	25500 56228	27250 60086	28100 61961	29000 63945	29850 65819		

51"

COMMERCIAL DESCRIPTION	CAI MSPN	Max. dist./hour km mile	TKPH ⁽¹⁾ TMPH	e mm inch	D mm inch	R' mm inch	RC mm inch	Tread depth mm 32rd	Dual Spacing mm inch	Cap. liter gallon	Measuring ⁽²⁾ (3) Recommended Rim	Other Approved ⁽²⁾ (3) Rims
XDR+ MC E4R ** 30.00 R 51 Tubeless	765099 62720	30 18.6	804 551	835 32.9	2878 113.3	1288 50.7	8662 341	83 104.6	1006 39.6	2490 657.9	22.00/4.5	
Bar	3.5	4	4.5	5	5.5	6	6.5	7				
Psi	51	58	65	73	80	87	94	102				
Machine - Use (kg - lbs)	TRANSPORT											
STANDARD	22100 48731	24350 53692	26650 58763	28950 63835	31200 68796	33500 73868	34650 76403	35800 78939				

COMMERCIAL DESCRIPTION	CAI MSPN	Max. dist./hour km mile	TKPH ⁽¹⁾ TMPH	e mm inch	D mm inch	R' mm inch	RC mm inch	Tread depth mm 32rd	Dual Spacing mm inch	Cap. liter gallon	Measuring ⁽²⁾ (3) Recommended Rim	Other Approved ⁽²⁾ (3) Rims
XDR+ MB E4R ** 33.00 R 51 Tubeless	217595 60919	24 14.9	643 440	835 32.9	2878 113.3	1288 50.7	8662 341	83 104.6	1006 39.6	2490 657.9	22.00/4.5	
Bar	3.5	4	4.5	5	5.5	6	6.5	7				
Psi	51	58	65	73	80	87	94	102				
Machine - Use (kg - lbs)	TRANSPORT											
STANDARD	22100 48731	24350 53692	26650 58763	28950 63835	31200 68796	33500 73868	34650 76403	35800 78939				

TIRE LOAD IN KG/LB – TIRE PRESSURE IN BAR/PSI

COMMERCIAL DESCRIPTION	CAI MSPN	Max. dist./hour km mile	TKPH ⁽¹⁾ TMPH	e mm inch	D mm inch	R' mm inch	RC mm inch	Tread depth mm 32rd	Dual Spacing mm inch	Cap. liter gallon	Measuring ⁽²⁾⁽³⁾ Recommended Rim	Other Approved ⁽²⁾⁽³⁾ Rims
XDT A E4T ** 33.00 R 51 Tubeless	123971 79398	22 13.7	682 467	911 35.9	3040 119.7	1365 53.7	9161 360.7	87 109.6	1107 43.6	3090 816.4	24.00/5.0 [4.4]	24.00/5.0 [3.9]
Bar	3.5	4	4.5	5	5.5	6	6.5	7				
Psi	51	58	65	73	80	87	94	102				
Machine - Use (kg - lbs)	TRANSPORT											
STANDARD	25550 56338	28200 62181	30800 67914	33450 73757	36600 80703	38750 85444	40100 88421	41400 91287				

COMMERCIAL DESCRIPTION	CAI MSPN	Max. dist./hour km mile	TKPH ⁽¹⁾ TMPH	e mm inch	D mm inch	R' mm inch	RC mm inch	Tread depth mm 32rd	Dual Spacing mm inch	Cap. liter gallon	Measuring ⁽²⁾⁽³⁾ Recommended Rim	Other Approved ⁽²⁾⁽³⁾ Rims
XDT B E4T ** 33.00 R 51 Tubeless	123961 53227	30 18.6	930 637	911 35.9	3040 119.7	1365 53.7	9161 360.7	87 109.6	1107 43.6	3090 816.4	24.00/5.0 [4.4]	24.00/5.0 [3.9]
Bar	3.5	4	4.5	5	5.5	6	6.5	7				
Psi	51	58	65	73	80	87	94	102				
Machine - Use (kg - lbs)	TRANSPORT											
STANDARD	25550 56338	28200 62181	30800 67914	33450 73757	36600 80703	38750 85444	40100 88421	41400 91287				

COMMERCIAL DESCRIPTION	CAI MSPN	Max. dist./hour km mile	TKPH ⁽¹⁾ TMPH	e mm inch	D mm inch	R' mm inch	RC mm inch	Tread depth mm 32rd	Dual Spacing mm inch	Cap. liter gallon	Measuring ⁽²⁾⁽³⁾ Recommended Rim	Other Approved ⁽²⁾⁽³⁾ Rims
XDC C4 E3V ** 33.00 R 51 Tubeless ⁽⁹⁾	645788 28097	45 28	1395 956	889 35	2966 116.8	1318 51.9	8903 350.5	48 60.5	1107 43.6		24.00/5.0 [4.4]	24.00/5.0 [3.9]
Bar	3.5	4	4.5	5	5.5	6	6.5	7				
Psi	51	58	65	73	80	87	94	102				
Machine - Use (kg - lbs)	TRANSPORT											
STANDARD	25550 56338	28200 62181	30800 67914	33450 73757	36600 80703	38750 85444	40100 88421	41400 91287				

COMMERCIAL DESCRIPTION	CAI MSPN	Max. dist./hour km mile	TKPH ⁽¹⁾ TMPH	e mm inch	D mm inch	R' mm inch	RC mm inch	Tread depth mm 32rd	Dual Spacing mm inch	Cap. liter gallon	Measuring ⁽²⁾⁽³⁾ Recommended Rim	Other Approved ⁽²⁾⁽³⁾ Rims
XDR3 C4 E4R ** 33.00 R 51 Tubeless	691960 78629	27 16.8	837 573	921 36.3	3049 120	1363 53.7	9174 361.2	94 118.4	1074 42.3	3100 819	24.00/5.0 [4.4]	24.00/5.0 [3.9] 26.00/5.0
Bar	3.5	4	4.5	5	5.5	6	6.5	7	7.5			
Psi	51	58	65	73	80	87	94	102	109			
Machine - Use (kg - lbs)	TRANSPORT											
STANDARD	25550 56338	28200 62181	30800 67914	33450 73757	36600 80703	38750 85444	40100 88421	41400 91287	42700 94154			

COMMERCIAL DESCRIPTION	CAI MSPN	Max. dist./hour km mile	TKPH ⁽¹⁾ TMPH	e mm inch	D mm inch	R' mm inch	RC mm inch	Tread depth mm 32rd	Dual Spacing mm inch	Cap. liter gallon	Measuring ⁽²⁾⁽³⁾ Recommended Rim	Other Approved ⁽²⁾⁽³⁾ Rims
XDR3 B E4R ** 33.00 R 51 Tubeless	884959 05483	24 14.9	744 510	921 36.3	3049 120	1343 52.9	9124 359.2	94 118.4	1074 42.3	3100 819	24.00/5.0 [4.4]	24.00/5.0 [3.9] 26.00/5.0
Bar	3.5	4	4.5	5	5.5	6	6.5	7	7.5			
Psi	51	58	65	73	80	87	94	102	109			
Machine - Use (kg - lbs)	TRANSPORT											
STANDARD	25550 56338	28200 62181	30800 67914	33450 73757	36600 80703	38750 85444	40100 88421	41400 91287	42700 94154			

COMMERCIAL DESCRIPTION	CAI MSPN	Max. dist./hour km mile	TKPH ⁽¹⁾ TMPH	e mm inch	D mm inch	R' mm inch	RC mm inch	Tread depth mm 32rd	Dual Spacing mm inch	Cap. liter gallon	Measuring ⁽²⁾⁽³⁾ Recommended Rim	Other Approved ⁽²⁾⁽³⁾ Rims
XDR3 B4 E4R ** 33.00 R 51 Tubeless	089608 05115	20 12.4	620 425	921 36.3	3049 120	1363 53.7	9174 361.2	94 118.4	1074 42.3	3100 819	24.00/5.0 [4.4]	24.00/5.0 [3.9] 26.00/5.0
Bar	3.5	4	4.5	5	5.5	6	6.5	7	7.5			
Psi	51	58	65	73	80	87	94	102	109			
Machine - Use (kg - lbs)	TRANSPORT											
STANDARD	25550 56338	28200 62181	30800 67914	33450 73757	36600 80703	38750 85444	40100 88421	41400 91287	42700 94154			

TIRE LOAD IN KG/LB – TIRE PRESSURE IN BAR/PSI

COMMERCIAL DESCRIPTION	CAI MSPN	Max. dist./hour km mile	TKPH ⁽¹⁾ TMPH	e mm inch	D mm inch	R' mm inch	RC mm inch	Tread depth mm 32rd	Dual Spacing mm inch	Cap. liter gallon	Measuring ⁽²⁾ (3) Recommended Rim	Other Approved ⁽²⁾ (3) Rims
XDC C4 E3V ** 36.00 R 51 Tubeless ⁽⁹⁾	975610 00557	40 24.9	1480 1014	1008 39.7	3145 123.8	1376 54.2	9388 369.6	57 71.8	1225 48.2	3980 1051.5	26.00/5.0	
Bar	3.5	4	4.5	5	5.5	6	6.5	7	7.5			
Psi	51	58	65	73	80	87	94	102	109			
Machine - Use (kg - lbs)	TRANSPORT											
STANDARD	30450 67142	33600 74088	36800 81144	39950 88090	43100 95036	46250 101981	47850 105509	49400 108927	51000 112455			

COMMERCIAL DESCRIPTION	CAI MSPN	Max. dist./hour km mile	TKPH ⁽¹⁾ TMPH	e mm inch	D mm inch	R' mm inch	RC mm inch	Tread depth mm 32rd	Dual Spacing mm inch	Cap. liter gallon	Measuring ⁽²⁾ (3) Recommended Rim	Other Approved ⁽²⁾ (3) Rims
XDC B E3V ** 36.00 R 51 Tubeless ⁽⁹⁾	320300 59360	37 23	1369 938	1008 39.7	3145 123.8	1376 54.2	9388 369.6	57 71.8	1225 48.2	3980 1051.5	26.00/5.0	
Bar	3.5	4	4.5	5	5.5	6	6.5	7	7.5			
Psi	51	58	65	73	80	87	94	102	109			
Machine - Use (kg - lbs)	TRANSPORT											
STANDARD	30450 67142	33600 74088	36800 81144	39950 88090	43100 95036	46250 101981	47850 105509	49400 108927	51000 112455			

COMMERCIAL DESCRIPTION	CAI MSPN	Max. dist./hour km mile	TKPH ⁽¹⁾ TMPH	e mm inch	D mm inch	R' mm inch	RC mm inch	Tread depth mm 32rd	Dual Spacing mm inch	Cap. liter gallon	Measuring ⁽²⁾ (3) Recommended Rim	Other Approved ⁽²⁾ (3) Rims
XDR B E4R ** 36.00 R 51 Tubeless	123122 50173	24 14.9	888 608	1011 39.8	3215 126.6	1429 56.3	9653 380	96 120.9	1225 48.2	3980 1051.5	26.00/5.0	
Bar	3.5	4	4.5	5	5.5	6	6.5	7	7.5			
Psi	51	58	65	73	80	87	94	102	109			
Machine - Use (kg - lbs)	TRANSPORT											
STANDARD	30450 67142	33600 74088	36800 81144	39950 88090	43100 95036	46250 101981	47850 105509	49400 108927	51000 112455			

COMMERCIAL DESCRIPTION	CAI MSPN	Max. dist./hour km mile	TKPH ⁽¹⁾ TMPH	e mm inch	D mm inch	R' mm inch	RC mm inch	Tread depth mm 32rd	Dual Spacing mm inch	Cap. liter gallon	Measuring ⁽²⁾ (3) Recommended Rim	Other Approved ⁽²⁾ (3) Rims
XDR B4 E4R ** 36.00 R 51 Tubeless	123002 87111	20 12.4	740 507	1011 39.8	3215 126.6	1430 56.3	9653 380	96 120.9	1225 48.2	3980 1051.5	26.00/5.0	
Bar	3.5	4	4.5	5	5.5	6	6.5	7	7.5			
Psi	51	58	65	73	80	87	94	102	109			
Machine - Use (kg - lbs)	TRANSPORT											
STANDARD	30450 67142	33600 74088	36800 81144	39950 88090	43100 95036	46250 101981	47850 105509	49400 108927	51000 112455			

COMMERCIAL DESCRIPTION	CAI MSPN	Max. dist./hour km mile	TKPH ⁽¹⁾ TMPH	e mm inch	D mm inch	R' mm inch	RC mm inch	Tread depth mm 32rd	Dual Spacing mm inch	Cap. liter gallon	Measuring ⁽²⁾ (3) Recommended Rim	Other Approved ⁽²⁾ (3) Rims
XMINE D2 HR L5R ** 50/65 R 51 Tubeless	523260 00296	6 3.7		1273 50.1	3073 121	1366 53.8	9227 363.3	116 146.1		4463 1179.1	40.00/4.5	
Bar	4	4.5	5	5.5	6	6.35						
Psi	58	65	73	80	87	92						
Machine - Use (kg - lbs)	LOADERS											
FRONT LADEN	46500 102533	50500 111353	54500 120173	58500 128993	62500 137813	65000 143325						
REAR UNLADEN	37200 82026	40400 89082	43600 96138	46800 103194	50000 110250	52000 114660						

TIRE LOAD IN KG/LB – TIRE PRESSURE IN BAR/PSI

COMMERCIAL DESCRIPTION	CAI MSPN	Max. dist./hour km mile	TKPH ⁽¹⁾ TMPH	e mm inch	D mm inch	R' mm inch	RC mm inch	Tread depth mm 32rd	Dual Spacing mm inch	Cap. liter gallon	Measuring ^{(2) (3)} Recommended Rim	Other Approved ^{(2) (3)} Rims
XMINE D2 LC LSR ** 50/65 R 51 Tubeless	508706 08094	10 6.2		1273 50.1	3073 121	1366 53.8	9227 363.3	116 146.1		4463 1179.1	40.00/4.5	
Bar	4	4.5		5	5.5	6	6.35					
Psi	58	65		73	80	87	92					
Machine - Use (kg - lbs)	LOADERS											
FRONT LADEN	46500 102533	50500 111353		54500 120173	58500 128993	62500 137813	65000 143325					
REAR UNLADEN	37200 82026	40400 89082		43600 96138	46800 103194	50000 110250	52000 114660					

COMMERCIAL DESCRIPTION	CAI MSPN	Max. dist./hour km mile	TKPH ⁽¹⁾ TMPH	e mm inch	D mm inch	R' mm inch	RC mm inch	Tread depth mm 32rd	Dual Spacing mm inch	Cap. liter gallon	Measuring ^{(2) (3)} Recommended Rim	Other Approved ^{(2) (3)} Rims
XMINE D2 SR LSR ** 50/65 R 51 Tubeless	970863 92514	6 3.7		1273 50.1	3073 121	1366 53.8	9227 363.3	116 146.1		4463 1179.1	40.00/4.5	
Bar	4	4.5		5	5.5	6	6.35					
Psi	58	65		73	80	87	92					
Machine - Use (kg - lbs)	LOADERS											
FRONT LADEN	46500 102533	50500 111353		54500 120173	58500 128993	62500 137813	65000 143325					
REAR UNLADEN	37200 82026	40400 89082		43600 96138	46800 103194	50000 110250	52000 114660					

57"

COMMERCIAL DESCRIPTION	CAI MSPN	Max. dist./hour km mile	TKPH ⁽¹⁾ TMPH	e mm inch	D mm inch	R' mm inch	RC mm inch	Tread depth mm 32rd	Dual Spacing mm inch	Cap. liter gallon	Measuring ^{(2) (3)} Recommended Rim	Other Approved ^{(2) (3)} Rims
XDM B4 E4T ** 37.00 R 57 Tubeless	725325 16047	20 12.4	848 581	1022 40.2	3453 135.9	1542 60.7	10385 408.9	99 124.7	1242 48.9		27.00/6.0 [5.2]	27.00/6.0 [4.6] 29.00/6.0
Bar	4	4.5		5	5.5	6	6.5	7	7.5			
Psi	58	65		73	80	87	94	102	109			
Machine - Use (kg - lbs)	TRANSPORT											
STANDARD	38550 85003	42200 93051		45800 100989	49400 108927	53000 116865	54850 120944	56650 124913	58450 128882			

COMMERCIAL DESCRIPTION	CAI MSPN	Max. dist./hour km mile	TKPH ⁽¹⁾ TMPH	e mm inch	D mm inch	R' mm inch	RC mm inch	Tread depth mm 32rd	Dual Spacing mm inch	Cap. liter gallon	Measuring ^{(2) (3)} Recommended Rim	Other Approved ^{(2) (3)} Rims
XDR3 C E4R ** 37.00 R 57 Tubeless ⁽⁸⁾	168876 09655	30 18.6	1272 871	1013 39.9	3459 136.2	1537 60.5	10384 408.8	102 128.5	1242 48.9	4530 1196.8	27.00/6.0 [5.2]	27.00/6.0 [4.6] 29.00/6.0
Bar	4	4.5		5	5.5	6	6.5	7	7.5			
Psi	58	65		73	80	87	94	102	109			
Machine - Use (kg - lbs)	TRANSPORT											
STANDARD	38550 85003	42200 93051		45800 100989	49400 108927	53000 116865	54850 120944	56650 124913	58450 128882			

COMMERCIAL DESCRIPTION	CAI MSPN	Max. dist./hour km mile	TKPH ⁽¹⁾ TMPH	e mm inch	D mm inch	R' mm inch	RC mm inch	Tread depth mm 32rd	Dual Spacing mm inch	Cap. liter gallon	Measuring ^{(2) (3)} Recommended Rim	Other Approved ^{(2) (3)} Rims
XDR3 C4 E4R ** 37.00 R 57 Tubeless ⁽⁸⁾	514466 86430	27 16.8	1145 784	1013 39.9	3459 136.2	1537 60.5	10384 408.8	102 128.5	1242 48.9	4530 1196.8	27.00/6.0 [5.2]	27.00/6.0 [4.6] 29.00/6.0
Bar	4	4.5		5	5.5	6	6.5	7	7.5			
Psi	58	65		73	80	87	94	102	109			
Machine - Use (kg - lbs)	TRANSPORT											
STANDARD	38550 85003	42200 93051		45800 100989	49400 108927	53000 116865	54850 120944	56650 124913	58450 128882			

TIRE LOAD IN KG/LB – TIRE PRESSURE IN BAR/PSI

COMMERCIAL DESCRIPTION	CAI MSPN	Max. dist./hour km mile	TKPH ⁽¹⁾ TMPH	e mm inch	D mm inch	R' mm inch	RC mm inch	Tread depth mm 32rd	Dual Spacing mm inch	Cap. liter gallon	Measuring ⁽²⁾⁽³⁾ Recommended Rim	Other Approved ⁽²⁾⁽³⁾ Rims
XDR3 B E4R ** 37.00 R 57 Tubeless ⁽⁸⁾	651752 18283	24 14.9	1018 697	1013 39.9	3459 136.2	1537 60.5	10384 408.8	102 128.5	1242 48.9	4530 1196.8	27.00/6.0 [5.2]	27.00/6.0 [4.6] 29.00/6.0
Bar	4	4.5	5	5.5	6	6.5	7	7.5				
Psi	58	65	73	80	87	94	102	109				
Machine - Use (kg - lbs)	TRANSPORT											
STANDARD	38550 85003	42200 93051	45800 100989	49400 108927	53000 116865	54850 120944	56650 124913	58450 128882				

COMMERCIAL DESCRIPTION	CAI MSPN	Max. dist./hour km mile	TKPH ⁽¹⁾ TMPH	e mm inch	D mm inch	R' mm inch	RC mm inch	Tread depth mm 32rd	Dual Spacing mm inch	Cap. liter gallon	Measuring ⁽²⁾⁽³⁾ Recommended Rim	Other Approved ⁽²⁾⁽³⁾ Rims
XDR3 B4 E4R ** 37.00 R 57 Tubeless ⁽⁸⁾	112553 66263	20 12.4	848 581	1013 39.9	3459 136.2	1537 60.5	10384 408.8	102 128.5	1242 48.9	4530 1196.8	27.00/6.0 [5.2]	27.00/6.0 [4.6] 29.00/6.0
Bar	4	4.5	5	5.5	6	6.5	7	7.5				
Psi	58	65	73	80	87	94	102	109				
Machine - Use (kg - lbs)	TRANSPORT											
STANDARD	38550 85003	42200 93051	45800 100989	49400 108927	53000 116865	54850 120944	56650 124913	58450 128882				

COMMERCIAL DESCRIPTION	CAI MSPN	Max. dist./hour km mile	TKPH ⁽¹⁾ TMPH	e mm inch	D mm inch	R' mm inch	RC mm inch	Tread depth mm 32rd	Dual Spacing mm inch	Cap. liter gallon	Measuring ⁽²⁾⁽³⁾ Recommended Rim	Other Approved ⁽²⁾⁽³⁾ Rims
XDC C4 E3V ** 40.00 R 57 Tubeless ⁽⁸⁾	835698 51763	40 24.9	1920 1315	1107 43.6	3491 137.4	1528 60.2	10422 410.3	63 79.4	1365 53.7	5628 1486.9	29.00/6.0 [5.7]	29.00/6.0 [5.2] 32.00/6.0
Bar	4	4.5	5	5.5	6	6.5	7					
Psi	58	65	73	80	87	94	102					
Machine - Use (kg - lbs)	TRANSPORT											
STANDARD	43650 96248	47750 105289	51850 114329	55950 123370	60000 132300	62050 136820	64100 141341					

COMMERCIAL DESCRIPTION	CAI MSPN	Max. dist./hour km mile	TKPH ⁽¹⁾ TMPH	e mm inch	D mm inch	R' mm inch	RC mm inch	Tread depth mm 32rd	Dual Spacing mm inch	Cap. liter gallon	Measuring ⁽²⁾⁽³⁾ Recommended Rim	Other Approved ⁽²⁾⁽³⁾ Rims
XDC B E3V ** 40.00 R 57 Tubeless	731362 87933	37 23	1776 1217	1107 43.6	3491 137.4	1528 60.2	10422 410.3	63 79.4	1365 53.7	5628 1486.9	29.00/6.0 [5.7]	29.00/6.0 [5.2] 32.00/6.0
Bar	4	4.5	5	5.5	6	6.5	7					
Psi	58	65	73	80	87	94	102					
Machine - Use (kg - lbs)	TRANSPORT											
STANDARD	43650 96248	47750 105289	51850 114329	55950 123370	60000 132300	62050 136820	64100 141341					

COMMERCIAL DESCRIPTION	CAI MSPN	Max. dist./hour km mile	TKPH ⁽¹⁾ TMPH	e mm inch	D mm inch	R' mm inch	RC mm inch	Tread depth mm 32rd	Dual Spacing mm inch	Cap. liter gallon	Measuring ⁽²⁾⁽³⁾ Recommended Rim	Other Approved ⁽²⁾⁽³⁾ Rims
XDC B4 E3V ** 40.00 R 57 Tubeless ⁽⁸⁾	943864 72766	34 21.1	1632 1118	1107 43.6	3491 137.4	1528 60.2	10422 410.3	63 79.4	1365 53.7	5628 1486.9	29.00/6.0 [5.7]	29.00/6.0 [5.2] 32.00/6.0
Bar	4	4.5	5	5.5	6	6.5	7					
Psi	58	65	73	80	87	94	102					
Machine - Use (kg - lbs)	TRANSPORT											
STANDARD	43650 96248	47750 105289	51850 114329	55950 123370	60000 132300	62050 136820	64100 141341					

COMMERCIAL DESCRIPTION	CAI MSPN	Max. dist./hour km mile	TKPH ⁽¹⁾ TMPH	e mm inch	D mm inch	R' mm inch	RC mm inch	Tread depth mm 32rd	Dual Spacing mm inch	Cap. liter gallon	Measuring ⁽²⁾⁽³⁾ Recommended Rim	Other Approved ⁽²⁾⁽³⁾ Rims
XDR3 MC E4R ** 40.00 R 57 Tubeless	861130 02582	30 18.6	1440 986	1127 44.4	3580 140.9	1578 62.1	10714 421.8	98 123.5	1365 53.7	5560 1469	29.00/6.0 [5.7]	29.00/6.0 [5.2] 32.00/6.0
Bar	4.5	5	5.5	6	6.25	6.5	6.75	7	7.25			
Psi	65	73	80	87	91	94	98	102	105			
Machine - Use (kg - lbs)	TRANSPORT											
STANDARD	47750 105289	51850 114329	55950 123370	60000 132300	61400 135387	62800 138474	64200 141561	65600 144648	67000 147735			

TIRE LOAD IN KG/LB – TIRE PRESSURE IN BAR/PSI

COMMERCIAL DESCRIPTION	CAI MSPN	Max. dist./hour km mile	TKPH ⁽¹⁾ TMPH	e mm inch	D mm inch	R' mm inch	RC mm inch	Tread depth mm 32rd	Dual Spacing mm inch	Cap. liter gallon	Measuring ^{(2) (3)} Recommended Rim	Other Approved ^{(2) (3)} Rims
XDR3 MC4 E4R ** 40.00 R 57 Tubeless	843163 54268	27 16.8	1296 888	1127 44.4	3580 140.9	1578 62.1	10714 421.8	98 123.5	1365 53.7	5560 1469	29.00/6.0 [5.7]	29.00/6.0 [5.2] 32.00/6.0
Bar	4.5	5	5.5	6	6.25	6.5	6.5	6.75	7	7.25		
Psi	65	73	80	87	91	94	94	98	102	105		
Machine - Use (kg - lbs)	TRANSPORT											
STANDARD	47750 105289	51850 114329	55950 123370	60000 132300	61400 135387	62800 138474	64200 141561	65600 144648	67000 147735			

COMMERCIAL DESCRIPTION	CAI MSPN	Max. dist./hour km mile	TKPH ⁽¹⁾ TMPH	e mm inch	D mm inch	R' mm inch	RC mm inch	Tread depth mm 32rd	Dual Spacing mm inch	Cap. liter gallon	Measuring ^{(2) (3)} Recommended Rim	Other Approved ^{(2) (3)} Rims
XDR3 MB E4R ** 40.00 R 57 Tubeless	349567 40866	24 14.9	1152 789	1127 44.4	3580 140.9	1578 62.1	10714 421.8	98 123.5	1365 53.7	5560 1469	29.00/6.0 [5.7]	29.00/6.0 [5.2] 32.00/6.0
Bar	4	4.5	5	5.5	6	6.5	7					
Psi	58	65	73	80	87	94	102					
Machine - Use (kg - lbs)	TRANSPORT											
STANDARD	43650 96248	47750 105289	51850 114329	55950 123370	60000 132300	62050 136820	64100 141341					

COMMERCIAL DESCRIPTION	CAI MSPN	Max. dist./hour km mile	TKPH ⁽¹⁾ TMPH	e mm inch	D mm inch	R' mm inch	RC mm inch	Tread depth mm 32rd	Dual Spacing mm inch	Cap. liter gallon	Measuring ^{(2) (3)} Recommended Rim	Other Approved ^{(2) (3)} Rims
XDR3 MB4 E4R ** 40.00 R 57 Tubeless	133439 07678	20 12.4	960 658	1127 44.4	3580 140.9	1578 62.1	10714 421.8	98 123.5	1365 53.7	5560 1469	29.00/6.0 [5.7]	29.00/6.0 [5.2] 32.00/6.0
Bar	4	4.5	5	5.5	6	6.5	7					
Psi	58	65	73	80	87	94	102					
Machine - Use (kg - lbs)	TRANSPORT											
STANDARD	43650 96248	47750 105289	51850 114329	55950 123370	60000 132300	62050 136820	64100 141341					

COMMERCIAL DESCRIPTION	CAI MSPN	Max. dist./hour km mile	TKPH ⁽¹⁾ TMPH	e mm inch	D mm inch	R' mm inch	RC mm inch	Tread depth mm 32rd	Dual Spacing mm inch	Cap. liter gallon	Measuring ^{(2) (3)} Recommended Rim	Other Approved ^{(2) (3)} Rims
XDR3 + MB E4R ** 40.00 R 57 Tubeless	932077 21579	24 14.9	1152 789	1127 44.4	3580 140.9	1578 62.1	10714 421.8	98 123.5	1365 53.7	5560 1469	29.00/6.0 [5.7]	29.00/6.0 [5.2] 32.00/6.0
Bar	4.5	5	5.5	6	6.25	6.5	6.5	6.75	7	7.25		
Psi	65	73	80	87	91	94	94	98	102	105		
Machine - Use (kg - lbs)	TRANSPORT											
STANDARD	47750 105289	51850 114329	55950 123370	60000 132300	61400 135387	62800 138474	64200 141561	65600 144648	67000 147735			

COMMERCIAL DESCRIPTION	CAI MSPN	Max. dist./hour km mile	TKPH ⁽¹⁾ TMPH	e mm inch	D mm inch	R' mm inch	RC mm inch	Tread depth mm 32rd	Dual Spacing mm inch	Cap. liter gallon	Measuring ^{(2) (3)} Recommended Rim	Other Approved ^{(2) (3)} Rims
XDR3 + MB4 E4R ** 40.00 R 57 Tubeless	151477 21579	20 12.4	960 658	1127 44.4	3580 140.9	1578 62.1	10714 421.8	98 123.5	1365 53.7	5560 1469	29.00/6.0 [5.7]	29.00/6.0 [5.2] 32.00/6.0
Bar	4.5	5	5.5	6	6.25	6.5	6.5	6.75	7	7.25		
Psi	65	73	80	87	91	94	94	98	102	105		
Machine - Use (kg - lbs)	TRANSPORT											
STANDARD	47750 105289	51850 114329	55950 123370	60000 132300	61400 135387	62800 138474	64200 141561	65600 144648	67000 147735			

COMMERCIAL DESCRIPTION	CAI MSPN	Max. dist./hour km mile	TKPH ⁽¹⁾ TMPH	e mm inch	D mm inch	R' mm inch	RC mm inch	Tread depth mm 32rd	Dual Spacing mm inch	Cap. liter gallon	Measuring ^{(2) (3)} Recommended Rim	Other Approved ^{(2) (3)} Rims
XDR250 C E4R ** 50/80 R 57 Tubeless	195241 81178	30 18.6	1608 1101	1204 47.4	3610 142.1	1586 62.4	10791 424.8	94 118.4	1420 55.9	6150 1624.8	32.00/6.0 [5.2]	29.00/6.0 [5.2] 29.00/6.0 [5.7] 32.00/6.0 [4.8]
Bar	5	5.25	5.5	5.75	6	6.25	6.5	6.5	6.75	7		
Psi	73	76	80	83	87	91	94	94	98	102		
Machine - Use (kg - lbs)	TRANSPORT											
STANDARD	57000 125685	59000 130095	61000 134505	63000 138915	65000 143325	67000 147735	69000 152145	71000 156555	73000 160965			

TIRE LOAD IN KG/LB – TIRE PRESSURE IN BAR/PSI

COMMERCIAL DESCRIPTION	CAI MSPN	Max. dist./hour km mile	TKPH ⁽¹⁾ TMPH	e mm inch	D mm inch	R' mm inch	RC mm inch	Tread depth mm 32rd	Dual Spacing mm inch	Cap. liter gallon	Measuring ^{(2) (3)} Recommended Rim	Other Approved ^{(2) (3)} Rims
XDR250 C4 E4R ** 50/80 R 57 Tubeless	253293 48751	27 16.8	1447 991	1204 47.4	3610 142.1	1586 62.4	10791 424.8	94 118.4	1420 55.9	6150 1624.8	32.00/6.0 [5.2]	29.00/6.0 [5.2] 29.00/6.0 [5.7] 32.00/6.0 [4.8]
Bar	5	5.25	5.5	5.75	6	6.25	6.5	6.75	7			
Psi	73	76	80	83	87	91	94	98	102			
Machine - Use (kg - lbs)	TRANSPORT											
STANDARD	57000 125685	59000 130095	61000 134505	63000 138915	65000 143325	67000 147735	69000 152145	71000 156555	73000 160965			

COMMERCIAL DESCRIPTION	CAI MSPN	Max. dist./hour km mile	TKPH ⁽¹⁾ TMPH	e mm inch	D mm inch	R' mm inch	RC mm inch	Tread depth mm 32rd	Dual Spacing mm inch	Cap. liter gallon	Measuring ^{(2) (3)} Recommended Rim	Other Approved ^{(2) (3)} Rims
XDR250 B E4R ** 50/80 R 57 Tubeless	274589 50281	24 14.9	1286 881	1204 47.4	3610 142.1	1586 62.4	10791 424.8	94 118.4	1420 55.9	6150 1624.8	32.00/6.0 [5.2]	29.00/6.0 [5.2] 29.00/6.0 [5.7] 32.00/6.0 [4.8]
Bar	5	5.5	6	6.5	7	7.5	8					
Psi	73	80	87	94	102	109	116					
Machine - Use (kg - lbs)	TRANSPORT											
STANDARD	55000 121275	59000 130095	63000 138915	67000 147735	69000 152145	71000 156555	73000 160965					

COMMERCIAL DESCRIPTION	CAI MSPN	Max. dist./hour km mile	TKPH ⁽¹⁾ TMPH	e mm inch	D mm inch	R' mm inch	RC mm inch	Tread depth mm 32rd	Dual Spacing mm inch	Cap. liter gallon	Measuring ^{(2) (3)} Recommended Rim	Other Approved ^{(2) (3)} Rims
XDR250 B4 E4R ** 50/80 R 57 Tubeless	371742 50070	20 12.4	1072 734	1204 47.4	3610 142.1	1586 62.4	10791 424.8	94 118.4	1420 55.9	6150 1624.8	32.00/6.0 [5.2]	29.00/6.0 [5.2] 29.00/6.0 [5.7] 32.00/6.0 [4.8]
Bar	5	5.5	6	6.5	7	7.5	8					
Psi	73	80	87	94	102	109	116					
Machine - Use (kg - lbs)	TRANSPORT											
STANDARD	55000 121275	59000 130095	63000 138915	67000 147735	69000 152145	71000 156555	73000 160965					

COMMERCIAL DESCRIPTION	CAI MSPN	Max. dist./hour km mile	TKPH ⁽¹⁾ TMPH	e mm inch	D mm inch	R' mm inch	RC mm inch	Tread depth mm 32rd	Dual Spacing mm inch	Cap. liter gallon	Measuring ^{(2) (3)} Recommended Rim	Other Approved ^{(2) (3)} Rims
XDR250+ MB E4R ** 50/80 R 57 Tubeless	264071 21579	24 14.9	1286 881	1204 47.4	3610 142.1	1579 62.2	10773 424.1	94 118.4	1420 55.9	6150 1624.8	32.00/6.0 [5.2]	29.00/6.0 [5.2] 29.00/6.0 [5.7] 32.00/6.0 [4.8]
Bar	5	5.25	5.5	5.75	6	6.25	6.5	6.75	7			
Psi	73	76	80	83	87	91	94	98	102			
Machine - Use (kg - lbs)	TRANSPORT											
STANDARD	57000 125685	59000 130095	61000 134505	63000 138915	65000 143325	67000 147735	69000 152145	71000 156555	73000 160965			

COMMERCIAL DESCRIPTION	CAI MSPN	Max. dist./hour km mile	TKPH ⁽¹⁾ TMPH	e mm inch	D mm inch	R' mm inch	RC mm inch	Tread depth mm 32rd	Dual Spacing mm inch	Cap. liter gallon	Measuring ^{(2) (3)} Recommended Rim	Other Approved ^{(2) (3)} Rims
XDR250+ MB4 E4R ** 50/80 R 57 Tubeless	238454 21579	20 12.4	1072 734	1204 47.4	3610 142.1	1579 62.2	10773 424.1	94 118.4	1420 55.9	6150 1624.8	32.00/6.0 [5.2]	29.00/6.0 [5.2] 29.00/6.0 [5.7] 32.00/6.0 [4.8]
Bar	5	5.25	5.5	5.75	6	6.25	6.5	6.75	7			
Psi	73	76	80	83	87	91	94	98	102			
Machine - Use (kg - lbs)	TRANSPORT											
STANDARD	57000 125685	59000 130095	61000 134505	63000 138915	65000 143325	67000 147735	69000 152145	71000 156555	73000 160965			

COMMERCIAL DESCRIPTION	CAI MSPN	Max. dist./hour km mile	TKPH ⁽¹⁾ TMPH	e mm inch	D mm inch	R' mm inch	RC mm inch	Tread depth mm 32rd	Dual Spacing mm inch	Cap. liter gallon	Measuring ^{(2) (3)} Recommended Rim	Other Approved ^{(2) (3)} Rims
XDR4 SPEED+ MD E4R ** 50/80 R 57 Tubeless	841338 14855	34 21.1	1822 1248	1197 47.1	3607 142	1582 62.3	10776 424.3	85 107.1	1420 55.9	6350 1677.7	32.00/6.0 [5.2]	29.00/6.0 [5.2] 29.00/6.0 [5.7] 32.00/6.0 [4.8]
Bar	5	5.25	5.5	5.75	6	6.25	6.5	6.75	7			
Psi	73	76	80	83	87	91	94	98	102			
Machine - Use (kg - lbs)	TRANSPORT											
STANDARD	57000 125685	59000 130095	61000 134505	63000 138915	65000 143325	67000 147735	69000 152145	71000 156555	73000 160965			

TIRE LOAD IN KG/LB – TIRE PRESSURE IN BAR/PSI

COMMERCIAL DESCRIPTION	CAI MSPN	Max. dist./hour km mile	TKPH ⁽¹⁾ TMPH	e mm inch	D mm inch	R' mm inch	RC mm inch	Tread depth mm 32rd	Dual Spacing mm inch	Cap. liter gallon	Measuring ^{(2) (3)} Recommended Rim	Other Approved ^{(2) (3)} Rims
XDR4 SPEED MC E4R ** 50/80 R 57 Tubeless	398033 68251	30 18.6	1608 1101	1197 47.1	3607 142	1582 62.3	10776 424.3	85 107.1	1420 55.9	6350 1677.7	32.00/6.0 [5.2]	29.00/6.0 [5.2] 29.00/6.0 [5.7] 32.00/6.0 [4.8]
Bar	5	5.25	5.5	5.75	6	6.25	6.5	6.5	6.75	7		
Psi	73	76	80	83	87	91	94	94	98	102		
Machine - Use (kg - lbs)	TRANSPORT											
STANDARD	57000 125685	59000 130095	61000 134505	63000 138915	65000 143325	67000 147735	69000 152145	71000 156555	73000 160965			

COMMERCIAL DESCRIPTION	CAI MSPN	Max. dist./hour km mile	TKPH ⁽¹⁾ TMPH	e mm inch	D mm inch	R' mm inch	RC mm inch	Tread depth mm 32rd	Dual Spacing mm inch	Cap. liter gallon	Measuring ^{(2) (3)} Recommended Rim	Other Approved ^{(2) (3)} Rims
XMINE D2 LC L5R * 55/80 R 57 Tubeless	594400 13267	10 6.2		1430 56.3	3740 147.2	1636 64.4	11161 439.4	119 149.9		7967 2104.9	44.00/5.0	42.00/5.0
Bar	4	4.5	5	5.5	6	6.5	7	7				
Psi	58	65	73	80	87	94	102	102				
Machine - Use (kg - lbs)	LOADERS											
FRONT LADEN	75000 165375	80000 176400	85000 187425	90000 198450	95000 209475	100000 220500	105000 231525					
REAR UNLADEN	60000 132300	64000 141120	68000 149940	72000 158760	76000 167580	80000 176400	84000 185220					

COMMERCIAL DESCRIPTION	CAI MSPN	Max. dist./hour km mile	TKPH ⁽¹⁾ TMPH	e mm inch	D mm inch	R' mm inch	RC mm inch	Tread depth mm 32rd	Dual Spacing mm inch	Cap. liter gallon	Measuring ^{(2) (3)} Recommended Rim	Other Approved ^{(2) (3)} Rims
XMINE D2 SR L5R * 55/80 R 57 Tubeless	635563 18939	6 3.7		1430 56.3	3740 147.2	1636 64.4	11161 439.4	119 149.9		7967 2104.9	44.00/5.0	42.00/5.0
Bar	4	4.5	5	5.5	6	6.5	7	7				
Psi	58	65	73	80	87	94	102	102				
Machine - Use (kg - lbs)	LOADERS											
FRONT LADEN	75000 165375	80000 176400	85000 187425	90000 198450	95000 209475	100000 220500	105000 231525					
REAR UNLADEN	60000 132300	64000 141120	68000 149940	72000 158760	76000 167580	80000 176400	84000 185220					

COMMERCIAL DESCRIPTION	CAI MSPN	Max. dist./hour km mile	TKPH ⁽¹⁾ TMPH	e mm inch	D mm inch	R' mm inch	RC mm inch	Tread depth mm 32rd	Dual Spacing mm inch	Cap. liter gallon	Measuring ^{(2) (3)} Recommended Rim	Other Approved ^{(2) (3)} Rims
XMINE D2 HR L5R * 55/80 R 57 Tubeless	817367 07695	6 3.7		1430 56.3	3740 147.2	1636 64.4	11161 439.4	119 149.9		7967 2104.9	44.00/5.0	42.00/5.0
Bar	4	4.5	5	5.5	6	6.5	7	7				
Psi	58	65	73	80	87	94	102	102				
Machine - Use (kg - lbs)	LOADERS											
FRONT LADEN	75000 165375	80000 176400	85000 187425	90000 198450	95000 209475	100000 220500	105000 231525					
REAR UNLADEN	60000 132300	64000 141120	68000 149940	72000 158760	76000 167580	80000 176400	84000 185220					

COMMERCIAL DESCRIPTION	CAI MSPN	Max. dist./hour km mile	TKPH ⁽¹⁾ TMPH	e mm inch	D mm inch	R' mm inch	RC mm inch	Tread depth mm 32rd	Dual Spacing mm inch	Cap. liter gallon	Measuring ^{(2) (3)} Recommended Rim	Other Approved ^{(2) (3)} Rims
XDR3 MC4 E4R ** 50/90 R 57 Tubeless	650162 09945	28 17.4	1747 1197	1272 50.1	3822 150.5	1701 67	11513 453.3	98 123.5	1506 59.3	7520 1986.8	32.00/6.5	32.00/6.0 34.00/6.0 34.00/6.5
Bar	4	4.5	5	5.5	6	6.5	7	7	7.5			
Psi	58	65	73	80	87	94	102	102	109			
Machine - Use (kg - lbs)	TRANSPORT											
STANDARD	57800 127449	62750 138364	67700 149279	72650 160193	75320 166081	78000 171990	80660 177855	83320 183721				

TIRE LOAD IN KG/LB – TIRE PRESSURE IN BAR/PSI

COMMERCIAL DESCRIPTION	CAI MSPN	Max. dist./hour km mile	TKPH ⁽¹⁾ TMPH	e mm inch	D mm inch	R' mm inch	RC mm inch	Tread depth mm 32rd	Dual Spacing mm inch	Cap. liter gallon	Measuring ⁽²⁾ (3) Recommended Rim	Other Approved ⁽²⁾ (3) Rims
XDR3 MB E4R ** 50/90 R 57 Tubeless	744229 45751	24 14.9	1498 1026	1272 50.1	3822 150.5	1701 67	11513 453.3	98 123.5	1506 59.3	7520 1986.8	32.00/6.5	32.00/6.0 34.00/6.0 34.00/6.5
Bar	4	4.5	5	5.5	6	6.5	7	7.5				
Psi	58	65	73	80	87	94	102	109				
Machine - Use (kg - lbs)	TRANSPORT											
STANDARD	57800 127449	62750 138364	67700 149279	72650 160193	75320 166081	78000 171990	80660 177855	83320 183721				

COMMERCIAL DESCRIPTION	CAI MSPN	Max. dist./hour km mile	TKPH ⁽¹⁾ TMPH	e mm inch	D mm inch	R' mm inch	RC mm inch	Tread depth mm 32rd	Dual Spacing mm inch	Cap. liter gallon	Measuring ⁽²⁾ (3) Recommended Rim	Other Approved ⁽²⁾ (3) Rims
XDR3 MB4 E4R ** 50/90 R 57 Tubeless	283806 39092	20 12.4	1248 855	1272 50.1	3822 150.5	1701 67	11513 453.3	98 123.5	1506 59.3	7520 1986.8	32.00/6.5	32.00/6.0 34.00/6.0 34.00/6.5
Bar	4	4.5	5	5.5	6	6.5	7	7.5				
Psi	58	65	73	80	87	94	102	109				
Machine - Use (kg - lbs)	TRANSPORT											
STANDARD	57800 127449	62750 138364	67700 149279	72650 160193	75320 166081	78000 171990	80660 177855	83320 183721				

COMMERCIAL DESCRIPTION	CAI MSPN	Max. dist./hour km mile	TKPH ⁽¹⁾ TMPH	e mm inch	D mm inch	R' mm inch	RC mm inch	Tread depth mm 32rd	Dual Spacing mm inch	Cap. liter gallon	Measuring ⁽²⁾ (3) Recommended Rim	Other Approved ⁽²⁾ (3) Rims
XDR3 + MB E4R ** 50/90 R 57 Tubeless	078316 78907	24 14.9	1498 1026	1255 49.4	3822 150.5	1675 65.9	11414 449.4	98 123.5	1506 59.3	7520 1986.8	32.00/6.5	32.00/6.0 34.00/6.0 34.00/6.5
Bar	4	4.5	5	5.5	6	6.5	7	7.5				
Psi	58	65	73	80	87	94	102	109				
Machine - Use (kg - lbs)	TRANSPORT											
STANDARD	57800 127449	62750 138364	67700 149279	72650 160193	75320 166081	78000 171990	80660 177855	83320 183721				

COMMERCIAL DESCRIPTION	CAI MSPN	Max. dist./hour km mile	TKPH ⁽¹⁾ TMPH	e mm inch	D mm inch	R' mm inch	RC mm inch	Tread depth mm 32rd	Dual Spacing mm inch	Cap. liter gallon	Measuring ⁽²⁾ (3) Recommended Rim	Other Approved ⁽²⁾ (3) Rims
XDR3 + MB4 E4R ** 50/90 R 57 Tubeless	704562 84040	20 12.4	1248 855	1255 49.4	3822 150.5	1675 65.9	11414 449.4	98 123.5	1506 59.3	7520 1986.8	32.00/6.5	32.00/6.0 34.00/6.0 34.00/6.5
Bar	4	4.5	5	5.5	6	6.5	7	7.5				
Psi	58	65	73	80	87	94	102	109				
Machine - Use (kg - lbs)	TRANSPORT											
STANDARD	57800 127449	62750 138364	67700 149279	72650 160193	75320 166081	78000 171990	80660 177855	83320 183721				

COMMERCIAL DESCRIPTION	CAI MSPN	Max. dist./hour km mile	TKPH ⁽¹⁾ TMPH	e mm inch	D mm inch	R' mm inch	RC mm inch	Tread depth mm 32rd	Dual Spacing mm inch	Cap. liter gallon	Measuring ⁽²⁾ (3) Recommended Rim	Other Approved ⁽²⁾ (3) Rims
XMINE D2 SR LSR * 60/80 R 57 Tubeless	964380 31145	6 3.7		1520 59.8	3949 155.5	1713 67.4	11750 462.6	118 148.7		10022 2647.8	47.00/5.0	
Bar	4	4.5	5	5.5	6	6.5	7					
Psi	58	65	73	80	87	94	102					
Machine - Use (kg - lbs)	LOADERS											
FRONT LADEN	75000 165375	83000 183015	91000 200655	99000 218295	107000 235935	115000 253575	123000 271215					
REAR UNLADEN	60000 132300	66400 146412	72800 160524	79200 174636	85600 188748	92000 202860	98400 216972					

TIRE LOAD IN KG/LB – TIRE PRESSURE IN BAR/PSI

COMMERCIAL DESCRIPTION	CAI MSPN	Max. dist./hour km mile	TKPH ⁽¹⁾ TMPH	e mm inch	D mm inch	R' mm inch	RC mm inch	Tread depth mm 32rd	Dual Spacing mm inch	Cap. liter gallon	Measuring ⁽²⁾⁽³⁾ Recommended Rim	Other Approved ⁽²⁾⁽³⁾ Rims
XMINE D2 HR L5R * 60/80 R 57 Tubeless	114447 09011	6 3.7		1520 59.8	3949 155.5	1713 67.4	11750 462.6	118 148.7		10022 2647.8	47.00/5.0	
Bar	4	4.5		5	5.5	6	6.5	7				
Psi	58	65		73	80	87	94	102				
Machine - Use (kg - lbs) LOADERS												
FRONT LADEN	75000 165375	83000 183015		91000 200655	99000 218295	107000 235935	115000 253575	123000 271215				
REAR UNLADEN	60000 132300	66400 146412		72800 160524	79200 174636	85600 188748	92000 202860	98400 216972				

63"

COMMERCIAL DESCRIPTION	CAI MSPN	Max. dist./hour km mile	TKPH ⁽¹⁾ TMPH	e mm inch	D mm inch	R' mm inch	RC mm inch	Tread depth mm 32rd	Dual Spacing mm inch	Cap. liter gallon	Measuring ⁽²⁾⁽³⁾ Recommended Rim	Other Approved ⁽²⁾⁽³⁾ Rims
XDR3 MC E4R ** 53/80 R 63 Tubeless	709804 99718	30 18.6	1980 1356	1359 53.5	3804 149.8	1648 64.9	11312 445.4	110 138.6	1637 64.4	7590 2005.3	36.00/5.0 [5.5]	36.00/5.0 [5] 38.00/5.0 [5.5] 38.00/5.0 [5]
Bar	4.5	5		5.25	5.5	5.75	6	6.25	6.5	6.75	7	
Psi	65	73		76	80	83	87	91	94	98	102	
Machine - Use (kg - lbs) TRANSPORT												
STANDARD	67000 147735	71000 156555		75000 165375	77500 170888	80000 176400	82500 181913	83750 184669	85010 187447	86820 191438	88275 194646	

COMMERCIAL DESCRIPTION	CAI MSPN	Max. dist./hour km mile	TKPH ⁽¹⁾ TMPH	e mm inch	D mm inch	R' mm inch	RC mm inch	Tread depth mm 32rd	Dual Spacing mm inch	Cap. liter gallon	Measuring ⁽²⁾⁽³⁾ Recommended Rim	Other Approved ⁽²⁾⁽³⁾ Rims
XDR3 MC4 E4R ** 53/80 R 63 Tubeless	031154 06229	28 17.4	1848 1266	1359 53.5	3804 149.8	1648 64.9	11312 445.4	110 138.6	1637 64.4	7590 2005.3	36.00/5.0 [5.5]	36.00/5.0 [5] 38.00/5.0 [5.5] 38.00/5.0 [5]
Bar	4.5	5		5.25	5.5	5.75	6	6.25	6.5	6.75	7	
Psi	65	73		76	80	83	87	91	94	98	102	
Machine - Use (kg - lbs) TRANSPORT												
STANDARD	67000 147735	71000 156555		75000 165375	77500 170888	80000 176400	82500 181913	83750 184669	85010 187447	86820 191438	88275 194646	

COMMERCIAL DESCRIPTION	CAI MSPN	Max. dist./hour km mile	TKPH ⁽¹⁾ TMPH	e mm inch	D mm inch	R' mm inch	RC mm inch	Tread depth mm 32rd	Dual Spacing mm inch	Cap. liter gallon	Measuring ⁽²⁾⁽³⁾ Recommended Rim	Other Approved ⁽²⁾⁽³⁾ Rims
XDR3 MB E4R ** 53/80 R 63 Tubeless	302446 26004	24 14.9	1584 1085	1359 53.5	3804 149.8	1648 64.9	11312 445.4	110 138.6	1637 64.4	7590 2005.3	36.00/5.0 [5.5]	36.00/5.0 [5] 38.00/5.0 [5.5] 38.00/5.0 [5]
Bar	4.5	5		5.25	5.5	5.75	6	6.25	6.5	6.75	7	
Psi	65	73		76	80	83	87	91	94	98	102	
Machine - Use (kg - lbs) TRANSPORT												
STANDARD	67000 147735	71000 156555		75000 165375	77500 170888	80000 176400	82500 181913	83750 184669	85010 187447	86820 191438	88275 194646	

COMMERCIAL DESCRIPTION	CAI MSPN	Max. dist./hour km mile	TKPH ⁽¹⁾ TMPH	e mm inch	D mm inch	R' mm inch	RC mm inch	Tread depth mm 32rd	Dual Spacing mm inch	Cap. liter gallon	Measuring ⁽²⁾⁽³⁾ Recommended Rim	Other Approved ⁽²⁾⁽³⁾ Rims
XDR3 MB4 E4R ** 53/80 R 63 Tubeless	176236 05149	20 12.4	1320 904	1359 53.5	3804 149.8	1648 64.9	11312 445.4	110 138.6	1637 64.4	7590 2005.3	36.00/5.0 [5.5]	36.00/5.0 [5] 38.00/5.0 [5.5] 38.00/5.0 [5]
Bar	4.5	5		5.25	5.5	5.75	6	6.25	6.5	6.75	7	
Psi	65	73		76	80	83	87	91	94	98	102	
Machine - Use (kg - lbs) TRANSPORT												
STANDARD	67000 147735	71000 156555		75000 165375	77500 170888	80000 176400	82500 181913	83750 184669	85010 187447	86820 191438	88275 194646	

TIRE LOAD IN KG/LB – TIRE PRESSURE IN BAR/PSI

COMMERCIAL DESCRIPTION	CAI MSPN	Max. dist./hour km mile	TKPH ⁽¹⁾ TMPH	e mm inch	D mm inch	R' mm inch	RC mm inch	Tread depth mm 32rd	Dual Spacing mm inch	Cap. liter gallon	Measuring ^{(2) (3)} Recommended Rim	Other Approved ^{(2) (3)} Rims
XDR3 EXTRA LOAD MC E4R *** 53/80 R 63 Tubeless	812927 17699	30 18.6	2280 1562	1357 53.4	3806 149.8	1661 65.4	11349 446.8	110 138.6	1637 64.4	7590 2005.3	36.00/5.0 [5.5]	36.00/5.0 [5] 38.00/5.0 [5.5] 38.00/5.0 [5]

Bar	7	7.25	7.5
Psi	102	105	109

Machine - Use (kg - lbs) **TRANSPORT**

STANDARD	90000 198450	92500 203963	95000 209475
-----------------	-----------------	-----------------	-----------------

COMMERCIAL DESCRIPTION	CAI MSPN	Max. dist./hour km mile	TKPH ⁽¹⁾ TMPH	e mm inch	D mm inch	R' mm inch	RC mm inch	Tread depth mm 32rd	Dual Spacing mm inch	Cap. liter gallon	Measuring ^{(2) (3)} Recommended Rim	Other Approved ^{(2) (3)} Rims
XDR3 EXTRA LOAD MC4 E4R *** 53/80 R 63 Tubeless	781925 81977	28 17.4	2128 1458	1357 53.4	3806 149.8	1661 65.4	11349 446.8	110 138.6	1637 64.4	7590 2005.3	36.00/5.0 [5.5]	36.00/5.0 [5] 38.00/5.0 [5.5] 38.00/5.0 [5]

Bar	7	7.25	7.5
Psi	102	105	109

Machine - Use (kg - lbs) **TRANSPORT**

STANDARD	90000 198450	92500 203963	95000 209475
-----------------	-----------------	-----------------	-----------------

COMMERCIAL DESCRIPTION	CAI MSPN	Max. dist./hour km mile	TKPH ⁽¹⁾ TMPH	e mm inch	D mm inch	R' mm inch	RC mm inch	Tread depth mm 32rd	Dual Spacing mm inch	Cap. liter gallon	Measuring ^{(2) (3)} Recommended Rim	Other Approved ^{(2) (3)} Rims
XDR3 EXTRA LOAD MB E4R *** 53/80 R 63 Tubeless	664323 17762	24 14.9	1824 1249	1357 53.4	3806 149.8	1661 65.4	11349 446.8	110 138.6	1637 64.4	7590 2005.3	36.00/5.0 [5.5]	36.00/5.0 [5] 38.00/5.0 [5.5] 38.00/5.0 [5]

Bar	7	7.25	7.5
Psi	102	105	109

Machine - Use (kg - lbs) **TRANSPORT**

STANDARD	90000 198450	92500 203963	95000 209475
-----------------	-----------------	-----------------	-----------------

COMMERCIAL DESCRIPTION	CAI MSPN	Max. dist./hour km mile	TKPH ⁽¹⁾ TMPH	e mm inch	D mm inch	R' mm inch	RC mm inch	Tread depth mm 32rd	Dual Spacing mm inch	Cap. liter gallon	Measuring ^{(2) (3)} Recommended Rim	Other Approved ^{(2) (3)} Rims
XDR3 EXTRA LOAD MB4 E4R *** 53/80 R 63 Tubeless	637745 68989	20 12.4	1520 1041	1357 53.4	3806 149.8	1661 65.4	11349 446.8	110 138.6	1637 64.4	7590 2005.3	36.00/5.0 [5.5]	36.00/5.0 [5] 38.00/5.0 [5.5] 38.00/5.0 [5]

Bar	7	7.25	7.5
Psi	102	105	109

Machine - Use (kg - lbs) **TRANSPORT**

STANDARD	90000 198450	92500 203963	95000 209475
-----------------	-----------------	-----------------	-----------------

COMMERCIAL DESCRIPTION	CAI MSPN	Max. dist./hour km mile	TKPH ⁽¹⁾ TMPH	e mm inch	D mm inch	R' mm inch	RC mm inch	Tread depth mm 32rd	Dual Spacing mm inch	Cap. liter gallon	Measuring ^{(2) (3)} Recommended Rim	Other Approved ^{(2) (3)} Rims
XDR3+ MB4 E4R ** 53/80 R 63 Tubeless	221719 00582	20 12.4	1320 904	1359 53.5	3804 149.8	1648 64.9	11312 445.4	110 138.6	1637 64.4	7590 2005.3	36.00/5.0 [5.5]	36.00/5.0 [5] 38.00/5.0 [5.5] 38.00/5.0 [5]

Bar	4.5	5	5.25	5.5	5.75	6	6.25	6.5	6.75	7
Psi	65	73	76	80	83	87	91	94	98	102

Machine - Use (kg - lbs) **TRANSPORT**

STANDARD	67000 147735	71000 156555	75000 165375	77500 170888	80000 176400	82500 181913	83750 184669	85010 187447	86820 191438	88275 194646
-----------------	-----------------	-----------------	-----------------	-----------------	-----------------	-----------------	-----------------	-----------------	-----------------	-----------------

COMMERCIAL DESCRIPTION	CAI MSPN	Max. dist./hour km mile	TKPH ⁽¹⁾ TMPH	e mm inch	D mm inch	R' mm inch	RC mm inch	Tread depth mm 32rd	Dual Spacing mm inch	Cap. liter gallon	Measuring ^{(2) (3)} Recommended Rim	Other Approved ^{(2) (3)} Rims
XDR3+ EXTRA LOAD MB4 E4R *** 53/80 R 63 Tubeless	509797 06252	20 12.4	1520 1041	1357 53.4	3806 149.8	1661 65.4	11349 446.8	110 138.6	1637 64.4	7590 2005.3	36.00/5.0 [5.5]	36.00/5.0 [5] 38.00/5.0 [5.5] 38.00/5.0 [5]

Bar	7	7.25	7.5
Psi	102	105	109

Machine - Use (kg - lbs) **TRANSPORT**

STANDARD	90000 198450	92500 203963	95000 209475
-----------------	-----------------	-----------------	-----------------

TIRE LOAD IN KG/LB – TIRE PRESSURE IN BAR/PSI

COMMERCIAL DESCRIPTION	CAI MSPN	Max. dist./hour km mile	TKPH ⁽¹⁾ TMPH	e mm inch	D mm inch	R' mm inch	RC mm inch	Tread depth mm 32rd	Dual Spacing mm inch	Cap. liter gallon	Measuring ^{(2) (3)} Recommended Rim	Other Approved ^{(2) (3)} Rims
XDR2 S C4 E3 ** 59/80 R 63 Tubeless	416409 68652	32 19.9	2535 1736	1495 58.9	4029 158.6	1734 68.3	11954 470.6	72 90.7	1834 72.2	10640 2811.1	44.00/5.0 [6.0]	44.00/5.0 [5.5]
Bar	6	6.5	6.8									
Psi	87	94	99									
Machine - Use (kg - lbs)	TRANSPORT											
STANDARD	100000 220500	102100 225131	104000 229320									

COMMERCIAL DESCRIPTION	CAI MSPN	Max. dist./hour km mile	TKPH ⁽¹⁾ TMPH	e mm inch	D mm inch	R' mm inch	RC mm inch	Tread depth mm 32rd	Dual Spacing mm inch	Cap. liter gallon	Measuring ^{(2) (3)} Recommended Rim	Other Approved ^{(2) (3)} Rims
XDR2 S B E3 ** 59/80 R 63 Tubeless	532463 32399	28 17.4	2218 1519	1495 58.9	4029 158.6	1734 68.3	11954 470.6	72 90.7	1834 72.2	10640 2811.1	44.00/5.0 [6.0]	44.00/5.0 [5.5]
Bar	6	6.5	6.8									
Psi	87	94	99									
Machine - Use (kg - lbs)	TRANSPORT											
STANDARD	100000 220500	102100 225131	104000 229320									

COMMERCIAL DESCRIPTION	CAI MSPN	Max. dist./hour km mile	TKPH ⁽¹⁾ TMPH	e mm inch	D mm inch	R' mm inch	RC mm inch	Tread depth mm 32rd	Dual Spacing mm inch	Cap. liter gallon	Measuring ^{(2) (3)} Recommended Rim	Other Approved ^{(2) (3)} Rims
XDR3 MC4 E4R ** 59/80 R 63 Tubeless	502804 83942	28 17.4	2240 1534	1467 57.8	4030 158.7			110 138.6	1834 72.2	9840 2599.7	44.00/5.0 [6.0]	41.00/5.0 [5.5]
Bar	5	5.5	6	6.5	6.7	6.8						
Psi	73	80	87	94	97	99						
Machine - Use (kg - lbs)	TRANSPORT LOAD PER TIRE 41" RIM											
STANDARD	82920 182839	89460 197259	96000 211680	98900 218075	100000 220500							

COMMERCIAL DESCRIPTION	CAI MSPN	Max. dist./hour km mile	TKPH ⁽¹⁾ TMPH	e mm inch	D mm inch	R' mm inch	RC mm inch	Tread depth mm 32rd	Dual Spacing mm inch	Cap. liter gallon	Measuring ^{(2) (3)} Recommended Rim	Other Approved ^{(2) (3)} Rims
STANDARD			100000 220500	102100 225131	104000 229320							

COMMERCIAL DESCRIPTION	CAI MSPN	Max. dist./hour km mile	TKPH ⁽¹⁾ TMPH	e mm inch	D mm inch	R' mm inch	RC mm inch	Tread depth mm 32rd	Dual Spacing mm inch	Cap. liter gallon	Measuring ^{(2) (3)} Recommended Rim	Other Approved ^{(2) (3)} Rims
XDR3 MB E4R ** 59/80 R 63 Tubeless	774172 20068	24 14.9	1920 1315	1467 57.8	4030 158.7			110 138.6	1834 72.2	9840 2599.7	44.00/5.0 [6.0]	41.00/5.0 [5.5]
Bar	5	5.5	6	6.5	6.7	6.8						
Psi	73	80	87	94	97	99						
Machine - Use (kg - lbs)	TRANSPORT LOAD PER TIRE 41" RIM											
STANDARD	82920 182839	89460 197259	96000 211680	98900 218075	100000 220500							

COMMERCIAL DESCRIPTION	CAI MSPN	Max. dist./hour km mile	TKPH ⁽¹⁾ TMPH	e mm inch	D mm inch	R' mm inch	RC mm inch	Tread depth mm 32rd	Dual Spacing mm inch	Cap. liter gallon	Measuring ^{(2) (3)} Recommended Rim	Other Approved ^{(2) (3)} Rims
STANDARD			100000 220500	102100 225131	104000 229320							

COMMERCIAL DESCRIPTION	CAI MSPN	Max. dist./hour km mile	TKPH ⁽¹⁾ TMPH	e mm inch	D mm inch	R' mm inch	RC mm inch	Tread depth mm 32rd	Dual Spacing mm inch	Cap. liter gallon	Measuring ^{(2) (3)} Recommended Rim	Other Approved ^{(2) (3)} Rims
XDR3 MB4 E4R ** 59/80 R 63 Tubeless	430321 73530	20 12.4	1600 1096	1467 57.8	4030 158.7	1742 68.6	11974 471.4	110 138.6	1834 72.2	9840 2599.7	44.00/5.0 [6.0]	41.00/5.0 [6.0]
Bar	5	5.5	6	6.5	6.7	6.8						
Psi	73	80	87	94	97	99						
Machine - Use (kg - lbs)	TRANSPORT LOAD PER TIRE 41" RIM											
STANDARD	82920 182839	89460 197259	96000 211680	98900 218075	100000 220500							

COMMERCIAL DESCRIPTION	CAI MSPN	Max. dist./hour km mile	TKPH ⁽¹⁾ TMPH	e mm inch	D mm inch	R' mm inch	RC mm inch	Tread depth mm 32rd	Dual Spacing mm inch	Cap. liter gallon	Measuring ^{(2) (3)} Recommended Rim	Other Approved ^{(2) (3)} Rims
STANDARD			100000 220500	102100 225131	104000 229320							

TIRE LOAD IN KG/LB – TIRE PRESSURE IN BAR/PSI

COMMERCIAL DESCRIPTION	CAI MSPN	Max. dist./hour km mile	TKPH ⁽¹⁾ TMPH	e mm inch	D mm inch	R' mm inch	RC mm inch	Tread depth mm 32rd	Dual Spacing mm inch	Cap. liter gallon	Measuring ⁽²⁾⁽³⁾ Recommended Rim	Other Approved ⁽²⁾⁽³⁾ Rims
XDR3 + MB E4R ** 59/80 R 63 Tubeless	535123 03414	24 14.9	1920 1315	1467 57.8	4030 158.7	1742 68.6	11974 471.4	110 138.6	1834 72.2	9840 2599.7	44.00/5.0 [6.0]	41.00/5.0 [6.0]
Bar	5	5.5	6	6.5	6.7	6.8						
Psi	73	80	87	94	97	99						
Machine - Use (kg - lbs)	TRANSPORT LOAD PER TIRE 41" RIM											
STANDARD	82920 182839	89460 197259	96000 211680	98900 218075	100000 220500							
Machine - Use (kg - lbs)	TRANSPORT LOAD PER TIRE 44" RIM											
STANDARD			100000 220500	102100 225131			104000 229320					

COMMERCIAL DESCRIPTION	CAI MSPN	Max. dist./hour km mile	TKPH ⁽¹⁾ TMPH	e mm inch	D mm inch	R' mm inch	RC mm inch	Tread depth mm 32rd	Dual Spacing mm inch	Cap. liter gallon	Measuring ⁽²⁾⁽³⁾ Recommended Rim	Other Approved ⁽²⁾⁽³⁾ Rims
XDR3 + MB4 E4R ** 59/80 R 63 Tubeless	417433 16577	20 12.4	1600 1096	1467 57.8	4030 158.7	1742 68.6	11974 471.4	110 138.6	1834 72.2	9840 2599.7	44.00/5.0 [6.0]	41.00/5.0 [6.0]
Bar	5	5.5	6	6.5	6.7	6.8						
Psi	73	80	87	94	97	99						
Machine - Use (kg - lbs)	TRANSPORT LOAD PER TIRE 41" RIM											
STANDARD	82920 182839	89460 197259	96000 211680	98900 218075	100000 220500							
Machine - Use (kg - lbs)	TRANSPORT LOAD PER TIRE 44" RIM											
STANDARD			100000 220500	102100 225131			104000 229320					

COMMERCIAL DESCRIPTION	CAI MSPN	Max. dist./hour km mile	TKPH ⁽¹⁾ TMPH	e mm inch	D mm inch	R' mm inch	RC mm inch	Tread depth mm 32rd	Dual Spacing mm inch	Cap. liter gallon	Measuring ⁽²⁾⁽³⁾ Recommended Rim	Other Approved ⁽²⁾⁽³⁾ Rims
XDR4 EXTRA LOAD MB E4R *** 59/80 R 63 Tubeless	265198 97806	24 14.9	2208 1512	1495 58.9	4027 158.5	1737 68.4	11958 470.8	100 126		10126 2675.3	44.00/5.0 [6.0]	44.00/5.0 [5.5]
Bar	7	7.25	7.5									
Psi	102	105	109									
Machine - Use (kg - lbs)	TRANSPORT											
STANDARD	109000 240345	112000 246960	115000 253575									

COMMERCIAL DESCRIPTION	CAI MSPN	Max. dist./hour km mile	TKPH ⁽¹⁾ TMPH	e mm inch	D mm inch	R' mm inch	RC mm inch	Tread depth mm 32rd	Dual Spacing mm inch	Cap. liter gallon	Measuring ⁽²⁾⁽³⁾ Recommended Rim	Other Approved ⁽²⁾⁽³⁾ Rims
XDR4 EXTRA LOAD MB4 E4R *** 59/80 R 63 Tubeless	233050 17772	20 12.4	1840 1260	1495 58.9	4027 158.5	1737 68.4	11958 470.8	100 126		10126 2675.3	44.00/5.0 [6.0]	44.00/5.0 [5.5]
Bar	7	7.25	7.5									
Psi	102	105	109									
Machine - Use (kg - lbs)	TRANSPORT											
STANDARD	109000 240345	112000 246960	115000 253575									

COMMERCIAL DESCRIPTION	CAI MSPN	Max. dist./hour km mile	TKPH ⁽¹⁾ TMPH	e mm inch	D mm inch	R' mm inch	RC mm inch	Tread depth mm 32rd	Dual Spacing mm inch	Cap. liter gallon	Measuring ⁽²⁾⁽³⁾ Recommended Rim	Other Approved ⁽²⁾⁽³⁾ Rims
XDR4 EXTRA LOAD MC4 E4R *** 59/80 R 63 Tubeless	320785 06838	28 17.4	2576 1765	1495 58.9	4027 158.5	1737 68.4	11958 470.8	100 126		10126 2675.3	44.00/5.0 [6.0]	44.00/5.0 [5.5]
Bar	7	7.25	7.5									
Psi	102	105	109									
Machine - Use (kg - lbs)	TRANSPORT											
STANDARD	109000 240345	112000 246960	115000 253575									

MICHELIN TECHNICAL DATA

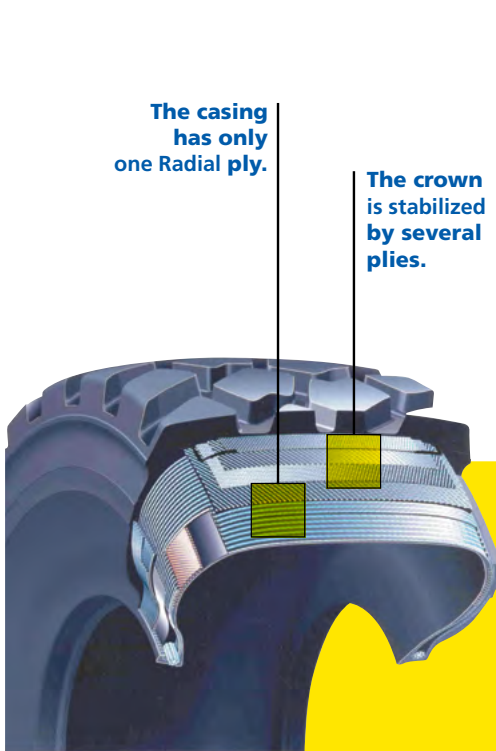
EARTHMOVER TIRES

GENERAL INFORMATION

COMPARISON BETWEEN BIAS AND RADIAL TIRES	PAGE 137
THE MICHELIN® X® RADIAL	PAGE 137
BIAS OR CROSS-PLY CONSTRUCTION	PAGE 137
ADVICE AND RECOMMENDATIONS ON THE USE OF MICHELIN EARTHMOVER TIRES	PAGE 138
CHOICE OF TIRE	PAGE 138
USE OF TIRES	PAGE 138
FITTING	PAGE 139
OPERATING PRESSURE	PAGE 140
STORAGE AND MAINTENANCE	PAGE 140
MACHINE CHECKS AND MAINTENANCE	PAGE 141
PRODUCT LIFE	PAGE 142
EXPLANATION OF THE DIFFERENT MEASUREMENTS	PAGE 143
READING GUIDE FOR LOAD, PRESSURE AND USE TABLES	PAGE 143
CLASSIFICATION OF MICHELIN TIRES	PAGE 144
ACCORDING TO THEIR ASPECT RATIO	PAGE 144
ACCORDING TO THE STANDARDIZED USAGE (ISO-ETRTO-TRA-JATMA*)	PAGE 145
ACCORDING TO THEIR TREAD DEPTHS	PAGE 145
SUMMARY	PAGE 145
TIRE MARKINGS	PAGE 146
MICHELIN EARTHMOVER TIRE COMPOUNDS	PAGE 147
LOAD INDEX-SPEED SYMBOL	PAGE 148
LOAD INDEX (LI) AND MAXIMUM LOAD (KG/LB)	PAGE 148
SPEED SYMBOLS	PAGE 148
EQUIVALENCE OF RESISTANCE INDEX (PR: PLY RATING)	PAGE 149
TECHNOLOGY OF MICHELIN RADIAL CASING TIRES	PAGE 150
ADVICE AND RECOMMENDATIONS ON THE USE OF MICHELIN EARTHMOVER TIRES	PAGE 151
USE OF TIRES	PAGE 151
EXPLANATION OF THE DIFFERENT USES	PAGE 151
COMPONENTS USED WITH MICHELIN EARTHMOVER TIRES	PAGE 152
APPROVED RIMS FOR MICHELIN EARTHMOVER TIRES	PAGE 152
FLAP + TUBE SOLUTION	PAGE 159
EXPLANATION ON THE TUBE AND THE FLAP MARKINGS	PAGE 162
O-RINGS OR CORNER SEALS SOLUTION	PAGE 163
VALVES AND ASSOCIATED ACCESSORIES FOR MICHELIN EARTHMOVER TIRES	PAGE 164
HELP WITH THE USE OF EARTHMOVER TIRES	PAGE 168
MICHELIN EARTHMOVER TIRES FOR TRANSPORT MACHINES	PAGE 168
MICHELIN EARTHMOVER TIRES FOR MOBILE CRANES, SPECIAL APPLICATIONS, RAPID INTERVENTION VEHICLES (CIVIL AND MILITARY)	PAGE 169
MICHELIN EARTHMOVER TIRES USED IN DESERT AND SIMILAR CONDITIONS	PAGE 169
MICHELIN EARTHMOVER TIRES FOR WORKING MACHINES: SURFACE LOADERS IN REHANDLING, PRODUCTION, EXTRACTION AND FACEWORK	PAGE 170
MICHELIN EARTHMOVER TIRES FOR WORKING MACHINES: DOZERS	PAGE 171
MICHELIN EARTHMOVER TIRES FOR WORKING MACHINES: GRADERS	PAGE 171
MICHELIN EARTHMOVER TIRES FOR COMPACTORS	PAGE 172
MICHELIN EARTHMOVER TIRES FOR ROADBUILDING MACHINERY (PLANERS, STABILIZER MIXERS, PAVERS)	PAGE 172
MICHELIN EARTHMOVER TIRES FOR UNDERGROUND MACHINES	PAGE 173
TIRES FOR TRANSPORT MACHINES: TKPH (TMPH) METHOD	PAGE 174
FACTORS TO BE CONSIDERED	PAGE 174
WHEN SELECTING THE MOST APPROPRIATE TIRE:	PAGE 174
MICHELIN EARTHMOVER TIRES FOR TRANSPORT MACHINES K COEFFICIENT CALCULATED AND USED FOR THE TKPH (TMPH) METHOD	PAGE 177
MICHELIN EARTHMOVER TIRES FOR SPECIFIC USES	PAGE 178
APPROXIMATE LOOSE MATERIAL DENSITIES (t/m ³)	PAGE 178
APPROXIMATE LOOSE MATERIAL DENSITIES UNITS OF MEASURE AND CONVERSION TABLES	PAGE 179
UNITS OF MEASURE AND CONVERSION TABLES	PAGE 179
FOOTNOTES & CAUTION	PAGE 180

COMPARISON BETWEEN BIAS AND RADIAL TIRES

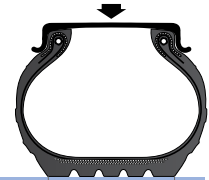
THE MICHELIN® X® RADIAL



The sidewall and tread function separately.

The tread is unaffected by the flexing of the sidewalls, so there is:

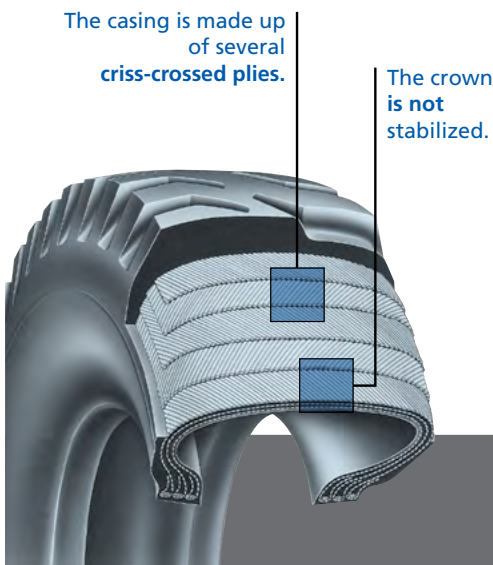
- Less deformation of the tire contact area on the ground
- Less movement in tread contact area
- No movement between casing plies



Advantages:

- Long tire life
- Outstanding traction on all types of surface
- Lower fuel consumption due to lower rolling resistance
- Improved comfort
- Increased resistance to punctures/flats
- Increased resistance to heating
- Protects property and persons

BIAS OR CROSS-PLY CONSTRUCTION

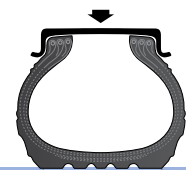


The crown and sidewalls are formed by the same ply structure.

The tread is affected by flexing of the sidewalls, resulting in:

- Deformation of the tire contact area on the ground
- Movement in the tread contact area.

The casing plies tend to "scissor" in relation to each other



Disadvantages:

- Accelerated wear
- Less grip
- Increased fuel consumption

ADVICE AND RECOMMENDATIONS ON THE USE OF MICHELIN EARTHMOVER TIRES

The following information is extracted from the Use and Maintenance Guide of MICHELIN® Earthmover Tires. For more details, visit our website www.michelinearthmover.com or contact your Michelin® Representative.



The tire is the only point of contact between the machine and the ground. Users must ensure that they preserve the life and performance of their tires. To do so, it is recommended that users adhere to the following safety instructions and usage recommendations. These recommendations are subject to more restrictive local provisions: legal, regulatory requirements, etc.

CHOICE OF TIRE

The choice of a tire must be compliant with legislation and with equipment recommended by the vehicle or tire manufacturer or by an official organization (size, load and speed indices, tire structures, etc.).

Additionally, it is necessary to take into account the conditions in which the tire will be used in order to ensure its performance can meet the user's expectations. The type of tread pattern depends mainly on conditions of use encountered: adherence, risk of cuts, rapid wear. The optimum performance of equipment depends largely on the choice of tire.

The use of a tread pattern or a tread pattern inappropriate for the work leads to a sharp reduction in the tire's life and may affect vehicle productivity.

In the event of the original vehicle equipment being modified, it is advisable to make sure that the solution

offered is compliant with the legislation in force, the machine's technical constraints, conditions of use and the manufacturer's recommendations. Please refer to regulations in force in the local country.

Before being fitted, any secondhand or used tire must be subjected to careful inspection by a specialist tire professional in order to guarantee the safety of the user and compliance with the regulations in force (Vehicle Checks and Maintenance).

USE OF TIRES

GENERAL RECOMMENDATIONS

Never use the tire beyond the limits of the technical specifications for which it has been approved on the machines.

Certain excessive or abnormal geometrical settings for the machines may have a negative effect on the tire's performance.

Poor use or wrong choice of tire can also contribute to premature wearing of certain mechanical parts.

According to the current legislation and/or to the technical or safety recommendations, both tires on the same axle must be identical.

DUAL MOUNTING

For technical and safety reasons, you must adhere to the recommendations of the manufacturer of the machine.

We advise against the following mountings:

- Dual mounting of MICHELIN® Radial tires with cross-ply (bias) tires
- Dual mounting of a tire of normal tread depth with a deep-treaded tire
- Dual mounting of tires of the same type which have different remaining tread depths (some legislation sets a maximum differential)

ADVICE AND RECOMMENDATIONS ON THE USE OF MICHELIN EARTHMOVER TIRES

FITTING

INTRODUCTION



Correct fitting, performed in accordance with recommended operating procedures and complying with the safety rules in force, ensures excellent protection for people and materials and allows the tires' full potential to be exploited.

Poor fitting can cause damage to the tires, the vehicle and/or cause serious injury or even death.

It is therefore essential that these operations are carried out by people who have been trained and who have the appropriate equipment available, and in accordance with the procedures.

We strongly recommend that tire fitting is undertaken by a trained tire professional with proper equipment.

Tube-type tires must be fitted with an appropriate flap and inner tube.

In all cases, it is essential to refer to the technical instructions of the tire manufacturer, vehicle manufacturer and wheel manufacturer, as well as the user manual for the tire-fitting machinery or equipment.

GENERAL PRECAUTIONS

Operators must always wear appropriate protective equipment.

Operators must know recommended procedure.

Operators must ensure that the vehicle is stopped, secured (LOTO) and properly stabilized (parking brake engaged, blocks), and motor turned off.

PRECAUTIONS FOR REMOVAL

a) When removing the vehicle wheel

If the tire is twin-fitted or if the rim shows evidence of damage, **the tires must be deflated prior** to removal of the whole fitment (remove the valve core). Failure to observe this could lead to accidents with very serious consequences. Comply with the manufacturers' recommendations and instructions when removing a tire.

b) When the tire is removed from the vehicle

Completely deflate the tire before any operation.

PRECAUTIONS FOR FITTING

- Ensure that the wheel and its components are in good condition
- Verify the compatibility of the tire and the wheel (wheel authorized for the tire) and the pressure capacity of the wheel
- Adhere to the positions, direction of fitting, direction of rotation and any other instructions referred to on the tire sidewall.
- In the case of multi-piece wheels, replace the o-ring seal
- In the case of tubeless mounting
 - With a rubber valve, this must be systematically replaced
 - With metallic valves, check the air tightness and continue with the replacement of valve cores or seals if necessary
- After fitting the tire to the vehicle, a torque wrench must be used to achieve the optimal torque as specified by the machine manufacturer.

PRECAUTIONS FOR INFLATING

Tire inflation is an essential factor, not only for optimization of tire performance but also in terms of SAFETY.

It is necessary for correct machine behavior (road holding and braking) as well as maintaining the tire's stability.

Only use inflation equipment intended for this purpose and fitted with a pressure limiter.

Everyone should be in the "Safety" zone (see diagram) during tire inflation. The red zone represents the area of greatest risk for being in the path of any potential discharge in the event of an incident.



* A minimum distance of 6 meters or 20 feet is required from the valve to the safety zone indicated in the diagram.

ADVICE AND RECOMMENDATIONS ON THE USE OF MICHELIN EARTHMOVER TIRES

OPERATING PRESSURE

The inflation pressure must follow the manufacturer's recommended inflation pressure.

In the absence of real data used to determine the tire pressure (weighing results, driving conditions, etc.), the operating pressure should be given only by the Michelin Representative or by a qualified professional who is trained to take into account the working conditions of the tire (ground conditions, cycle lengths, transported materials, etc.).

Underinflation or overinflation can significantly affect tire performance.

Running underinflated causes an abnormal rise in temperature of the tire and can cause the degradation of its components. This degradation is irreversible and may lead to damage of the tire, causing rapid deflation. The consequences of running with insufficient pressure are not necessarily immediate and may appear even after rectification of the tire inflation pressure.

STORAGE AND MAINTENANCE



Tires are rubber-based and are affected by conditions of storage and use.

Storage does not adversely affect the life of the tire, but it must be under specific conditions, limited in time, and as far as possible inside.

- In premises that are well-ventilated, dry and temperate, protected from direct sunlight and bad weather
- Away from any chemical substances, solvents or hydrocarbons likely to interfere with the nature of the rubber
- Away from any object that could penetrate the rubber (sharp metal, wood, etc.)
- Away from any source of heat, flame, incandescent object, material that could cause sparks or electrical discharges and any ozone sources (transformers, electric motors, soldering devices, etc.).

Poor handling of an unfitted tire can cause it to be irreparably damaged.

In order to eliminate the risk of bead damage and the problems which could result, we strongly advise that:

- 1 - The tire is not lifted directly by the bead with a crane hook.
- 2 - Flat straps are used (not steel slings or chains).
- 3 - The tire is lifted under the tread and not on the beads when a forklift truck with telescopic forks is used.

Moreover, accessories must be stored in their original packaging, on surfaces that do not present any danger of cutting, tearing or perforation.

In all cases, for the handling of tires and accessories, operators must

- Be equipped with protective clothing
- Observe the safety policies of the company
- Use suitable material/equipment for the job
- Not use instruments and/or equipment that may be harmful to tires

For more information, especially for terms and conditions of storage and height stacking of the tires, see Chapter 3 of the Use and Maintenance Guide.

ADVICE AND RECOMMENDATIONS ON THE USE OF MICHELIN EARTHMOVER TIRES

MACHINE CHECKS AND MAINTENANCE

GENERAL RECOMMENDATIONS

Ensure that the machine is stationary and secured before any inspection.

Tires must be inspected regularly in order to detect any unusual wear and potential damage.

Wheel torque must be checked in accordance with the machine manufacturer's recommendations.

Any perforations, cuts or visible distortion of the tread, sidewalls or flange area must be the subject of a thorough examination of the tire by a tire professional. It is the same for any damage to the rim. In all circumstances, do not put a tire that exhibits damage back into operation, such as deformed bead or visible bead wire, separations between components, visible cable cords, damage from petroleum products or corrosive particles, marbling or abrasion of the interior rubber resulting from any running at insufficient pressure.

Each time the machine is inspected, check that the valve cap is in good condition. If in doubt, replace it.

CHECKING FOR WEAR



Checking for wear must always be carried out at several points on the tire.

This check can be carried out using a tire depth gauge or by looking for signs of wear on the tread (noted on the sidewall by a symbol when present).

If the legal or technical limit for wear has been reached, the tire must be removed and replaced.

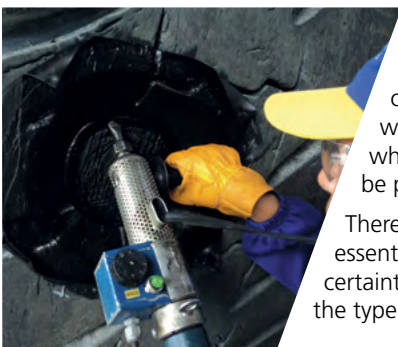
A tire professional should be consulted if there is abnormal wear or a difference in wear between two tires on the same axle.

REPAIR

Not all damage can be repaired.

All repairs must be carried out by a trained and qualified tire professional.

A qualified tire professional should perform a detailed inspection of the tires before repairs can be made. A tire that has been run underinflated or flat



may have suffered irreversible damage and only an exhaustive check of the interior of the tire will enable a diagnosis of whether or not the tire can be put back into use.

Therefore, removal of the tire is essential in order to assess with certainty its actual condition and the type of repair required.

PRESSURE

Given that a tire loses pressure naturally, it is necessary to adjust it periodically.

This check will enable any abnormal loss of pressure to be detected.

This check must be carried out on all the vehicle's tires.

A tire operated with insufficient pressure will undergo an abnormal rise in operating temperature, which can lead to irreversible damage of internal components and cause its complete destruction, to include rapid deflation of the tire. The consequences of running with insufficient inflation pressure are not necessarily immediate and may appear even after rectification.

Excessive pressure can cause rapid and irregular wear, resulting in increased susceptibility to impacts (tread damage, rupture of the casing, etc.).

It is recommended that tire pressures are checked when tires are cold. If they are checked after running, the tires are hot and pressure will not be accurate.

If pressure is checked when hot, the pressure should be readjusted according to the manufacturer's recommendations (consult your Michelin Representative).

Given that pressure increases with temperature, a hot tire must never be deflated.

Always respect the equality of pressure between dual tires.

Inflation with nitrogen is not an exemption from the need to check tire pressure regularly.

In all circumstances, adhere to the pressures recommended by the machine or tire manufacturers.



ADVICE AND RECOMMENDATIONS ON THE USE OF MICHELIN EARTHMOVER TIRES

PRODUCT LIFE

Tires are made from different types of materials and rubber-based components, whose properties are essential to the proper running of the tire itself. These properties evolve over time.

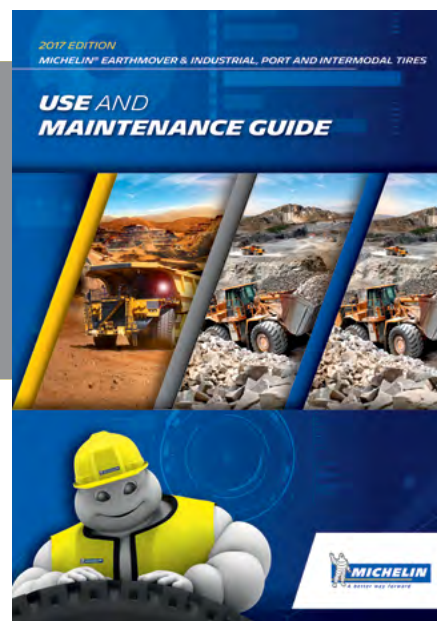
For each tire, this evolution depends on many factors, such as climate, storage conditions (temperature, humidity, position, etc.), and conditions of use (load, speed, inflation pressure, road damage, etc.) to which the tire is subjected during its working life.

These in-use conditions vary so much that it is impossible to predict the life of a tire with any accuracy. This is why, in addition to regular user checks, it is recommended to have the tires regularly checked by a qualified tire professional, who will determine whether the tire is fit to continue in operation.

Michelin may in no way be held responsible for damage that may occur as a result of use contrary to its instructions.

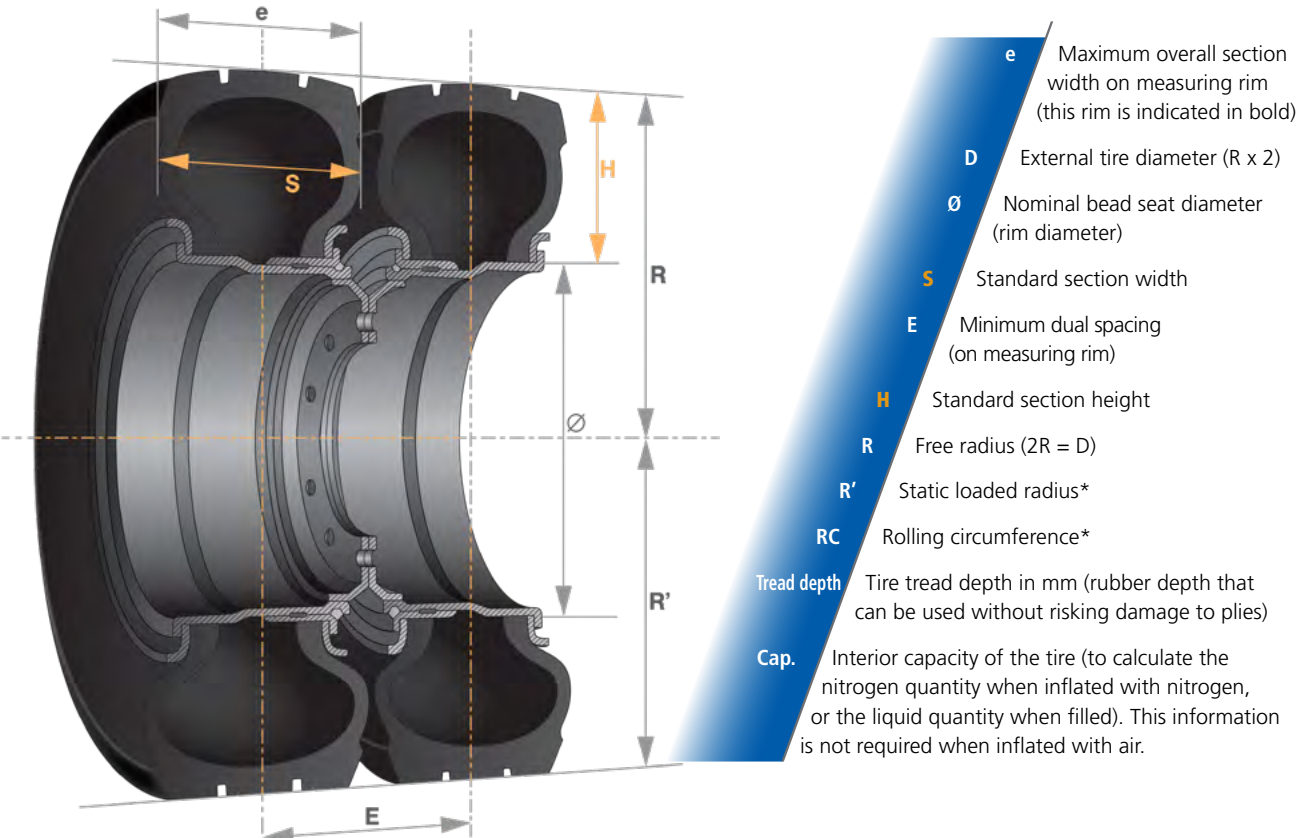
The preceding information is extracted from the **USE AND MAINTENANCE GUIDE FOR MICHELIN® EARTHMOVER TIRES.**

For more details, consult our website
www.michelinearthmover.com
OR YOUR MICHELIN REPRESENTATIVE.



**ADVICE AND RECOMMENDATIONS ON THE USE
OF MICHELIN EARTHMOVER TIRES**

EXPLANATION OF THE DIFFERENT MEASUREMENTS



*Determined by the reference conditions.

The dimensional data given in tabular form in this publication (as indicated above) conforms to those of the European Standard (E.T.R.T.O.). They are given for information only and may change.

READING GUIDE FOR LOAD, PRESSURE AND USE TABLES

Remember: the correct pressure for the tire (on a site and for a job) depends on the working conditions and type of use.

In order to obtain optimum performance from the tire, it is advised that:

- The machine is weighed under working loads
- The maximum distance allowed per hour for the tire is not exceeded

The shaded box of pressure, load and use tables is the value defined by the industry standards. Up to this limit, the tire works in an optimal zone leading to a better balance of performance.

The use of MICHELIN® Earthmover tires outside the specification of pressure, load and use tables must have a prior technical validation given by your Michelin® Representative.

CLASSIFICATION OF MICHELIN TIRES

ACCORDING TO THEIR ASPECT RATIO

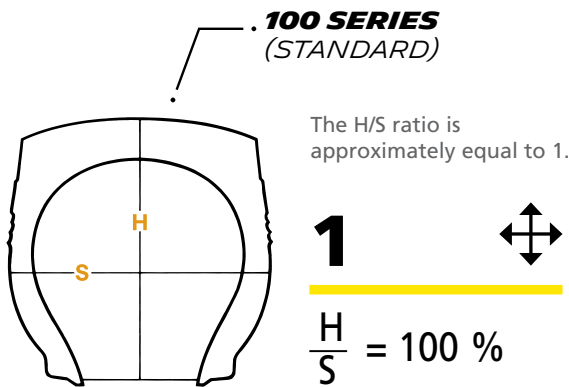
The wide diversity of earthmover machines and their uses requires the development of numerous ranges of tires.

Earthmover tires differ from those mounted on cars or commercial vehicles by:

- Their size and weight
- Their tread depths, which are proportionally greater
- More reinforcements to deal with the harsher conditions of use

There are several families of earthmover tires, characterized by their aspect ratio H/S (ratio in % between the height of the sidewall H and the section width of the tire S).

H = standard section height (see page 142) **S** = standard section width (see page 142)

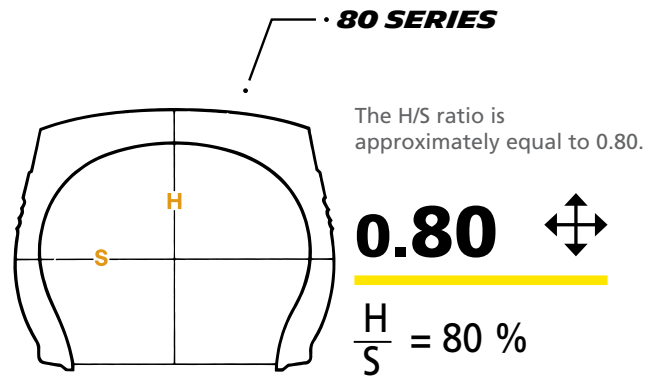


The section width is expressed in inches with two decimal places.

Examples: 18.00 R 33

Tires for rigid trucks, handling equipment, etc.

The aspect ratio is not indicated in the size designation.



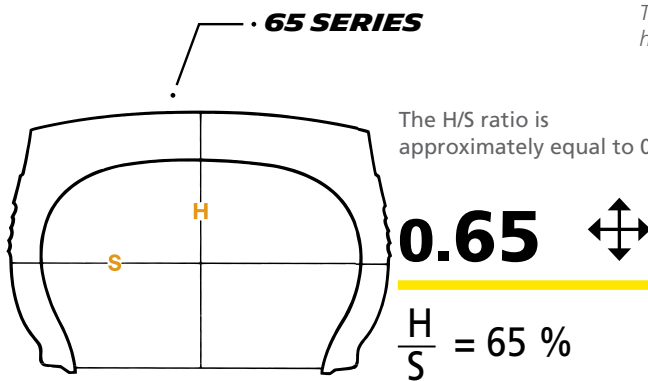
The section width is expressed in inches and fractions of an inch.

Examples: 8.25 R 15, 20.5 R 25

The aspect ratio is not indicated in the size designation or in inches followed by the number 80

Example: 59/80 R 63

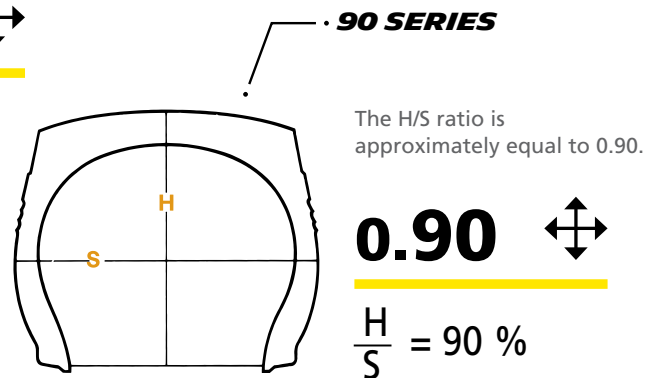
Tires for rigid trucks, articulated dumpers, loaders, handling equipment, etc.



The section width is expressed in inches or in millimeters, followed by the number 65.

Examples: 35/65 R 33, 750/65 R 25

Tires for large loaders, articulated trucks, etc.



The section width is expressed in inches followed by the number 90.

Example: 50/90 R 57

Tires for rigid trucks

Other series of tires are also available: 95 series, 75 series, etc.

CLASSIFICATION OF MICHELIN TIRES

ACCORDING TO THE STANDARDIZED USAGE (ISO-ETRTO-TRA-JATMA*)

The four main categories of earthmover tire are defined by their use. The category to which it belongs is indicated on the sidewall of the tire.

This is an international classification:

- C** Compactor
- G** Grader
- E** Earthmoving
- SH** Subterranean Haulage
- L** Loader and bulldozer

- * **ISO**: International Standard Organization
- ETRTO**: European Tyre and Rim Technical Organization
- TRA**: Tire and Rim Association
- JATMA**: Japan Automobile Tire Manufacturers Association

Within these categories, there are different tread depths and special tread patterns, for very specific uses.

These are identified by a number.

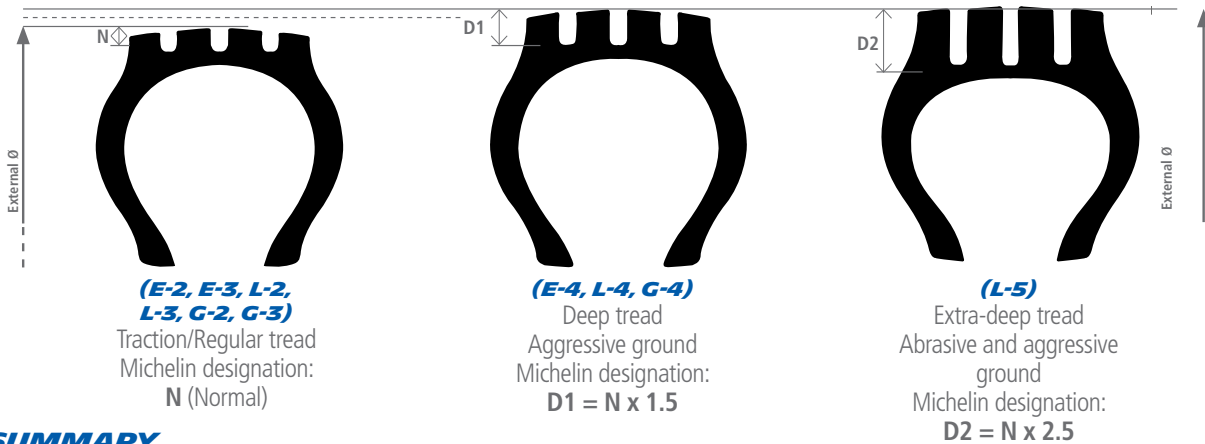
They must be chosen according to the type of ground and the tire's condition of use.

The letter "S" indicates a smooth tread; *example*: L-5S.

- 1** Ribbed (normal tread depth)
- 2** Traction (normal tread depth)
- 3** Normal (normal tread depth)
- 4** Deep Tread
- 5** Extra Deep Tread

ACCORDING TO THEIR TREAD DEPTHS

The tread depth *SUPER*, *D1*, *D2* is sometimes indicated on the sidewall tire.



SUMMARY

CODE	TREAD PATTERN	APPLICATION
C-1	SMOOTH	Compactor
E-1	RIBBED	Transport
E-2	TRACTION	
E-3	REGULAR TREAD	
E-4	DEEP TREAD	
E-7	FLOTATION	
SH-3	REGULAR TREAD	Subterranean
SH-4	DEEP TREAD	Transport
G-1	RIBBED	Grader
G-2	TRACTION	
G-3	REGULAR TREAD	
G-4	DEEP TREAD	
G-5	VERY DEEP TREAD	
L-2	TRACTION	Loader Bulldozer
L-3	REGULAR TREAD	
L-4	DEEP TREAD	
L-5	VERY DEEP TREAD	
L-3S	SMOOTH REGULAR TREAD	
L-4S	SMOOTH DEEP TREAD	
L-5S	SMOOTH VERY DEEP TREAD	

In addition, Michelin provides complementary identification to some earthmover tires:
 T = Traction, R = Rock, V = Speed, F = Flotation,
 P = Multi-purpose, S/R = Smooth/Rock
 e.g.: L-3T Normal tread depth tire (L-3; Standardized identification code) where traction is needed

TIRE MARKINGS

WHAT YOU CAN LEARN FROM THE SIDEWALL MARKING



MICHELIN®
X MINE® D2

- 1 Nominal section width of the tire (in inches): 35
- 2 Tire series: aspect ratio = 0.65
- 3 Radial construction: R
- 4 Rim diameter (in inches): 33
- 5 Load index of the tire: **
- 6 Type of use: loader (L) with deep tread (5)
- 7 Radial tire
- 8 Tire for loader
- 9 Tubeless tire
- 10 Manufacturer: Michelin
- 11 Tread pattern: X MINE D2



MICHELIN®
X-CRANE +®

- Radial construction
- Nominal section width of the tire (in mm): 525
- Tire series: aspect ratio = 0.80
- Rim diameter (in inches): 25
- Tubeless
- Brand: Michelin
- Tread pattern: X-CRANE +
- 12 Load index of the tire: 170
- 13 Reference speed symbol of the tire: F
- 14 Regroovable

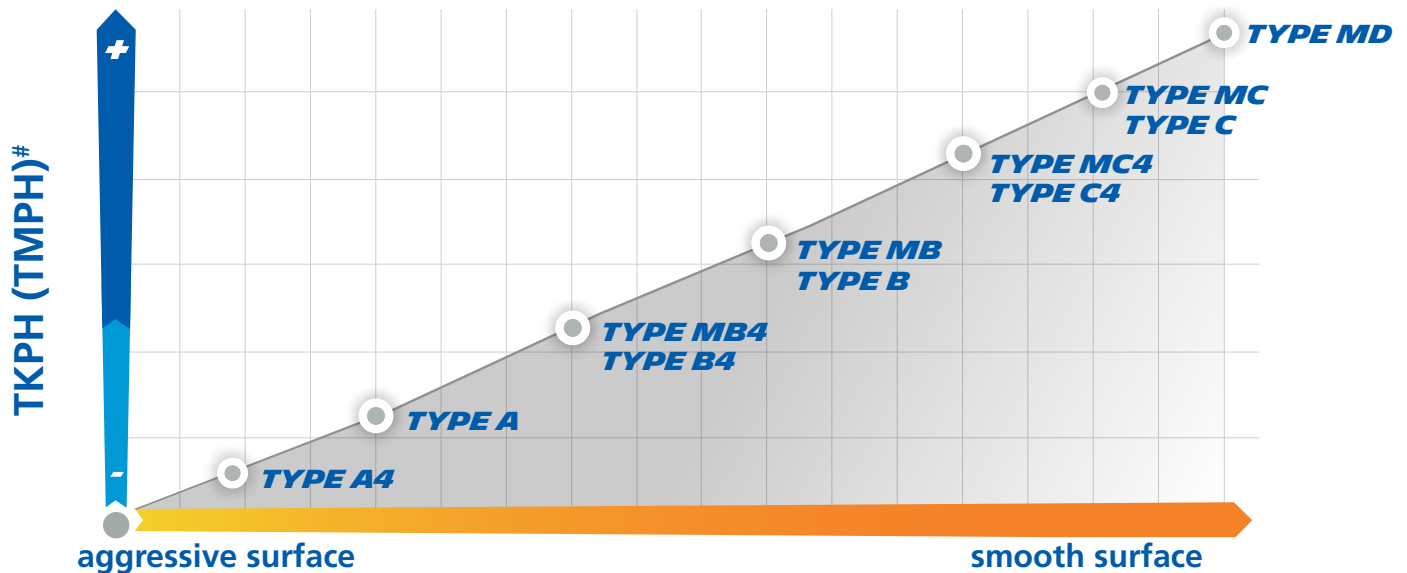


MICHELIN®
XDR® 2

- Radial construction
- Nominal section width of the tire (in inches): 37
- Rim diameter (in inches): 57
- Tubeless
- Brand: Michelin
- 15 Tire compound: B4 (explanation page 147)
- Tread pattern: XDR 2
- Identification code: E4 (transport, deep tread)
- Load capacity: **

MICHELIN EARTHMOVER TIRE COMPOUNDS

	TYPES	DESCRIPTION	TKPH (TMPH)#
Aggression Resistant	A4	Particularly resistant to cuts, tread tearing and abrasion on very rough surfaces	Minimum
	A	Particularly resistant to cuts, tread tearing and abrasion at average speeds that are higher than those for A4 (above)	Low
Standard	B4	Compromise solution between abrasion resistance and average speed on rough surfaces	Moderate
	MB4	Same as Type B4 but with a higher wear resistance	
	B	Higher resistance to internal heat generation on surfaces that are not particularly rough	Average
	MB	Same as Type B but with a higher wear resistance	
Heat Resistant	C4	Adapted to running on long cycles at high speeds on well-maintained roads	High
	MC4	Same as Type C4 but with a higher wear resistance	Very High
	C	Very high resistance to high average speeds on long cycles run on well-maintained roads	
	MC	Same as Type C but with a higher wear resistance	
	MD	Maximum resistance to highest average speeds on long cycles run on well-maintained roads	



TKPH: Ton kilometer per hour
 TMPH: Ton mile per hour
 (#) see page 174



LOAD INDEX–SPEED SYMBOL

Some tires bear a load index and a speed symbol.

LOAD INDEX (LI) AND MAXIMUM LOAD (KG/LB)

The *load index* is a numerical code which indicates the maximum load a tire can carry at the speed corresponding to its speed symbol, under specified conditions.

LI			LI			LI			LI			LI		
MAXIMUM LOAD			MAXIMUM LOAD			MAXIMUM LOAD			MAXIMUM LOAD			MAXIMUM LOAD		
LI	KG	LB	LI	KG	LB	LI	KG	LB	LI	KG	LB	LI	KG	LB
120	1400	3080	154	3750	8250	188	10000	22000	222	26500	58400	256	71000	156500
121	1450	3200	155	3875	8550	189	10300	22700	223	27250	60000	257	73000	161000
122	1500	3300	156	4000	8800	190	10600	23400	224	28000	61500	258	75000	165500
123	1550	3420	157	4125	9100	191	10900	24000	225	29000	64000	259	77500	171000
124	1600	3520	158	4250	9350	192	11200	24700	226	30000	66000	260	80000	176500
125	1650	3640	159	4375	9650	193	11500	25400	227	30750	68000	261	82500	182000
126	1700	3740	160	4500	9900	194	11800	26000	228	31500	69500	262	85000	187500
127	1750	3860	161	4625	10200	195	12150	26800	229	32500	71500	263	87500	193000
128	1800	3960	162	4750	10500	196	12500	27600	230	33500	74000	264	90000	198500
130	1900	4180	164	5000	11000	198	13200	29100	232	35500	78500	266	95000	209500
131	1950	4300	165	5150	11400	199	13600	30000	233	36500	80500	267	97500	215000
132	2000	4400	166	5300	11700	200	14000	30900	234	37500	82500	268	100000	220500
133	2060	4540	167	5450	12000	201	14500	32000	235	38750	85500	269	103000	227000
134	2120	4680	168	5600	12300	202	15000	33100	236	40000	88000	270	106000	233500
135	2180	4800	169	5800	12800	203	15500	34200	237	41250	91000	271	109000	240500
136	2240	4940	170	6000	13200	204	16000	35300	238	42500	93500	272	112000	247000
137	2300	5080	171	6150	13600	205	16500	36400	239	43750	96500	273	115000	253500
138	2360	5200	172	6300	13900	206	17000	37500	240	45000	99000	274	118000	260000
139	2430	5360	173	6500	14300	207	17500	38600	241	46250	102000	275	121000	267000
141	2575	5680	175	6900	15200	209	18500	40800	243	48750	107500	277	128000	283500
142	2650	5840	176	7100	15700	210	19000	41900	244	50000	110000	278	132000	291000
143	2725	6000	177	7300	16100	211	19500	43000	245	51500	113500	279	136000	300000
144	2800	6150	178	7500	16500	212	20000	44100	246	53000	117000	280	140000	308500
145	2900	6400	179	7750	17100	213	20600	45400	247	54500	120000	281	145000	319500
146	3000	6600	180	8000	17600	214	21200	46700	248	56000	123500	282	150000	330500
147	3075	6800	181	8250	18200	215	21800	48100	249	58000	128000	283	155000	341500
148	3150	6950	182	8500	18700	216	22400	49400	250	60000	132500	284	160000	352500
149	3250	7150	183	8750	19300	217	23000	50700	251	61500	135500	285	165000	364000
150	3350	7400	184	9000	19800	218	23600	52000	252	63000	139000	286	170000	375000
151	3450	7600	185	9250	20400	219	24300	53600	253	65000	143500	287	175000	386000
152	3550	7850	186	9500	20900	220	25000	55100	254	67000	147500	288	180000	397000
153	3650	8050	187	9750	21500	221	25750	56800	255	69000	152000	289	185000	408000

SPEED SYMBOLS

The *speed symbol* indicates the maximum speed at which the tire can carry a load corresponding to its load index, under specified conditions.

CODE	A2	A3	A4	A5	A6	A8	B	C	D	E	F	G
speed (km/h)	10	15	20	25	30	40	50	60	65	70	80	90
speed (mph)	6	9	12	15	19	25	31	37	40	43	50	56

Examples of tire marking:

23.5 R 25 X[®]-SUPER TERRAIN TL 185 B; this tire is able to carry 9250 kg at a speed of 50 km/h (20,390 lb at 31 mph)
445/95 R 25 X-CRANE[®] TL 174 F; this tire is able to carry 6700 kg at a maximum speed of 80 km/h (14,770 lb at 50 mph)

It is imperative:

- Not to exceed the permitted maximum speed of the tire.
- Not to exceed the permitted maximum distances in one hour as indicated in the tables of tire characteristics.
- That, at the time of fitting, the various markings be checked in order to be certain that the tire is suitable for operation at the maximum allowed vehicle speed and load.

EQUIVALENCE OF RESISTANCE INDEX (PR: PLY RATING)

To be used as a reference for the replacement of a bias ply tire by a MICHELIN® Radial tire.

SIZES AND MARKINGS	WORK MACHINES PR	TRANSPORT MACHINES PR	SIZES AND MARKINGS	WORK MACHINES PR	TRANSPORT MACHINES PR	SIZES AND MARKINGS	WORK MACHINES PR	TRANSPORT MACHINES PR
7.50 R 15	12		17.5 R 25 **	20	24	35/65 R 33 *	36	
8.25 R 15	12		18.00 R 25 *	24		35/65 R 33 ** (1)		
10.00 R 15			445/95 R 25 (174E, 177E, 177F)			35/65 R 33 E4**** L4**** (1)		
350/65 R 15 (1)			445/80 R 25 (170E)			37.5 R 33 **		48
14.5 R 15			18.00 R 25 **		36	21.00 R 35 **		44
400/80 R 15 (1)			20.5 R 25 *	24		24.00 R 35 **		48
9.00 R 20	16		20.5 R 25 **		28	29.5 R 35 **		40
10.00 R 20	16		505/85 R 25 (183E)			33.25 R 35 **		44
12.00 R 20	18		550/65 R 25 * (1)			37.25 R 35 **		48
E20 (13./80 R 20) (1)			21.00 R 25 **		40	37.5 R 39 **		52
14.00 R 20 (1)			23.5 R 25 *	28		40/65 R 39 *	42	
16.00 R 20			23.5 R 25 **		32	40.5/75 R 39 **		54
525/70 R 20.5			525/80 R 25 (179E)			45/65 R 39 * (1)		
24 R 20.5			600/65 R 25 * (1)			45/65 R 45 *	50	
24 R 21			650/65 R 25 (1)			24.00 R 49 **		48
12.00 R 24 ***	24	24	26.5 R 25 *	32		27.00 R 49 **		54
13.00 R 24 TG *	14		26.5 R 25 **		32	30.00 R 51 **		64
14.00 R 24 TG *	16		750/65 R 25 (1)			33.00 R 51 **		68
14.00 R 24	24		29.5 R 25 *	34		36.00 R 51 **		74
14.00 R 24 ***	28	32	29.5 R 25 **		34	50/65 R 51 ** (1)		
385/95 R 24 (170E, 170F)			850/65 R 25 (1)			37.00 R 57 ** (1)		
15.00 R 24 (17/80 R 24) (1)			26.5 R 29 **		34	40.00 R 57 **		78
16.00 R 24 TG *	16		775/65 R 29 (1)			50/80 R 57 ** (1)		
16.00 R 24 **		36	29.5 R 29 *	34		55/80 R 57 * (1)		
13.00 R 25 ***		28	29.5 R 29 **		40	50/90 R 57 ** (1)		
14.00 R 25 ***		32	33.25 R 29 **		44	60/80 R 57 (1)		
385/95 R 25 (170E, 170F)			800/65 R 29 * (1)			53/80 R 63 ** (1)		
15.5 R 25 *	16		875/65 R 29 (1)			55/80 R 63 ** (1)		
16.00 R 25 **		36	18.00 R 33 **		40	56/80 R 63 ** (1)		
395/80 R 25 (165E)			21.00 R 33 **		32	59/80 R 63 ** (1)		
17.5 R 25 *	16		33.5 R 33 **		44			

(1) No corresponding PR in these sizes which are only made in Radial construction.

TECHNOLOGY OF MICHELIN RADIAL CASING TIRES

A tire's construction is the key to its performance, and outstanding tire performance is a key competitive advantage for transport and working machines in the earthmover industry.

Earthmoving equipment can achieve outstanding performance by using Radial tires.

COMPOSITION

The Radial design combines metal or fabric plies, extending from one bead to the other, with a belt made of several steel plies designed to reinforce the crown of the tire.

A UNIQUE CONSTRUCTION WITH NUMEROUS ADVANTAGES

The sidewalls and crown work independently:

- Minimizing the deformation of the contact patch and the weight of the tire
- Improving adhesion and traction while slowing down the rate of wear
- Increasing the load capacity as the metal casing can take higher inflation pressures

The flexibility of the sidewalls of a Radial tire therefore provides greater comfort with:

- No compromise on stability
- Better resistance to damage and punctures



TIRE PERFORMANCE LEVELS THAT TRANSFORM MACHINE PERFORMANCE

Michelin invented the Radial design and is an expert in this field. Radial tires significantly improve the productivity of earthmover machines. The Radial technology offers the best compromise between the following factors: load, speed, operational efficiency of the machines, tire service life, operator safety, etc.

Using a Radial tire also improves fuel economy and reduces the environmental footprint.

THE MICHELIN® XHA® 2 TIRE



23.5-25 BIAS

Two machines are launched at 30 km/h. After disengaging the motor, we measure the distance traveled. The machine equipped with MICHELIN® tires has less rolling resistance and therefore travels further. This equates to lower fuel consumption in operation.

Image from tests carried out in our research and development in Almeria in Spain.

Find this test and many other videos on www.michelinearthmover.com or contact your Michelin Account Manager.

ADVICE AND RECOMMENDATIONS ON THE USE OF MICHELIN EARTHMOVER TIRES

USE OF TIRES

FITTING OF TG MICHELIN® EARTHMOVER TIRES (24-INCH DIAMETER)

TG tires (MICHELIN® XGLA2™, MICHELIN® X-SNOPLUS®) must only be fitted on drop-center and semi drop-center or single-piece wheels.

Do not fit these tires on flat-base rims, which are incompatible because they have differences in seat diameter.

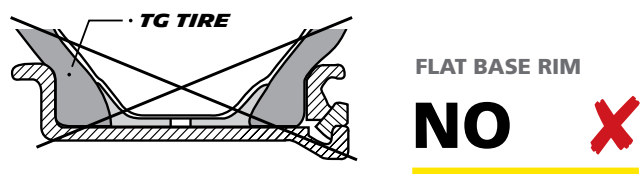


FITTING OF 15.5 R 25* AND 17.5 R 25* MICHELIN® EARTHMOVER TIRES

L2* (MICHELIN® XTLA™ and MICHELIN® X-SNOPLUS®) and L3* (MICHELIN® XHA®) and the MICHELIN® X CRANE + dimension 445/95 R 25 can be fitted to:

- Multi-piece SDC or flat-base rims
- Single-piece rims

NOTE: L3** and L5 tires can only be fitted to multi-piece rims.



EXPLANATION OF THE DIFFERENT USES

Important: Load/pressure scales are classified according to different uses of machines.

LOADERS

Front Laden

This table is used in priority. The loads come from the weighing of the loader or the axle weight given by the manufacturer.

This is the pressure, load and use table built from the maximum reference point given by the standards.

For front tires of the loader, it is possible to increase the pressure value given in Table Front Laden up to 1 bar without changing the carrying capacity. The resulting pressure must remain below the maximum values of inflation pressure when the latter is specified (see previous page).

Rear Unladen

This table is used when the weight of the rear axle of the unladen loader is known or when the rear axle weight is given by the manufacturer.

COMPACTOR

10 and 15 km/h

These tables give the maximum work speeds of the compactors. In all cases, the indications and the instructions from the manufacturer must be applied (table indicating the pressure according to the work to be carried out).

UNDERGROUND MINING MACHINES

This is the table that is used for tires fitted to underground transport machines.



ADVICE AND RECOMMENDATIONS ON THE USE OF MICHELIN EARTHMOVER TIRES

GRADERS

All Axles

This is the table that is used when one has determined the axle load (by weight or by the manufacturer).

This table is derived from a reference speed of 40 km/h. For higher speeds, a reduction in carrying capacity, as shown in the table below, is applied in accordance with the standards (ex: Year Book TRA 2019, page 4-28).

SPEED OF USE (KM/H)	VARIATION IN LOAD CAPACITY (%)
40	0
50	- 9
60	- 18
65	- 27

TRANSPORT (RIGID DUMP TRUCKS, TRUCKS, ETC.), ARTICULATED DUMP TRUCKS, SCRAPERS

Standard

Table loads/pressures built from the reference point *Off-the-Road Haulage Service*. This is the table that is used when one has determined the axle load (by weighing or from the manufacturer's data).

CRANES AND SIMILAR SPECIALIZED MACHINES

Standard

This is the table *Load/Speed/Pressure* that is used to adjust the pressure at the desired load based on maximum rates of use for the tires fitted on vehicles (all-terrain, mobile cranes, intervention vehicles...).

There are two ranges of tires. Reference speed 70 km/h, Speed Symbol E or reference speed 80 km/h, Speed Symbol F.

USE IN DESERTS AND SIMILAR CONDITIONS

Depending on whether the vehicle is fitted as single or twin, the corresponding load table will be adopted.

1-Road in Single/Road in Twin:

These pressures are to be applied when the vehicle runs on good roads. (This means asphalt or compacted surfaces.) For these conditions, the pressures have been calculated for a maximum speed of 80 km/h (50 mph) or 65 km/h (40 mph) depending on the tire size considered.

2-Track in Single/Track in Twin:

These pressures are recommended for driving on roads in poor condition, washboard (corrugated) and gravel or desert surfaces.

For these conditions, the pressures have been calculated

- for a maximum speed of 65 km/h (40 mph) if the speed on road is 80 km/h (50 mph)
- or a maximum speed of 50 km/h (30 mph) if the speed on road is 65 km/h (40 mph)

3-Sand in Single/Sand in Twin:

These pressures are used to allow the vehicle to cross without difficulty the difficult areas where the problem of adhesion or depression can be important. To avoid premature depletion of the kilometeric performance, the speed must be limited


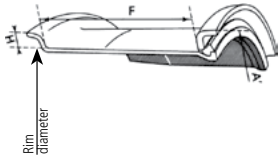
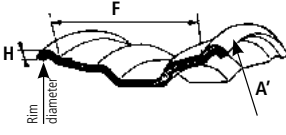

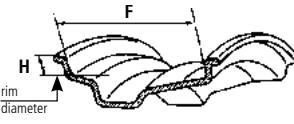
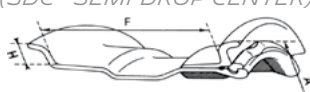
- to 20 km/h (12.5 mph) if the speed on road is 80 km/h (50 mph)
- to 15 km/h (9.3 mph) if the speed on road is 65 km/h (40 mph)

After sand use, the pressure must be readjusted for subsequent conditions of use (road or track).

COMPONENTS USED WITH MICHELIN EARTHMOVER TIRES

APPROVED RIMS FOR MICHELIN EARTHMOVER TIRES

Check that the rim support is at least the weight carried by the tire.

RIM TYPES	RIM DESIGN.	F MM INCHES	H ⁽¹³⁾ MM INCHES	D ⁽¹⁴⁾ MM INCHES		RIM R/A ⁽¹⁵⁾	TIRE SIZES	SEAL			
								TL	TT		
FLAT-BASE RIMS  	15 - 6.00 S	152.4 6.0	33.3 1.3	387,0	381,0	A	7.50 R 15	None			
	20 - 7.33 V	186.2 7.3	44 1.7	511,2	508,0	A	9.00 R 20 X MINE D2	Tyran (A 20)	NA	2	
		A	E 20 (13/80 R 20) Pii XLC			NA	2				
	20 - 8.00 V	203.2 8.0	44 1.7			A	E 20 (13/80 R 20) Pii XLC		NA	2	
	20 - 8.50 V	215.9 8.5	44 1.7			A	12.00 R 20 X MINE D2		NA	2	
		A	E 20 (13/80 R 20) Pii XLC			NA	2				
	20 - 9.00 V	228.6 9.0	44 1.7			A	12.00 R 20 XMINE D2		NA	2	
		A	E 20 (13/80 R 20) Pii XLC			NA	2				
	20 - 10.00 V	254 10.0	44 1.7			A	E 20 P (13/80 R 20)		NA	2	
	20 - 10.00 W	254 10.0	51 2.0			R	16.00 R 20 XZL		2	2	
		A	14.00 R 20 X MINE D2			2	2				
	20 - 11.25	286 11.3	51 2.0			A	16.00 R 20 XZL		None	2	2
	21 - 18.00	457.2 18.0	38 1.5			511,0	R		24 R 21	(OR 6.8-21)	
15° TAPER DROP CENTER RIMS (DC - DROP CENTER) 	24 - 7.33 V	186.2 7.3	44 1.7			612,8	609,6		A	12.00 R 24 ***	None
	24 - 8.00 V	203.2 8.0	44 1.7	A	12.00 R 24 X MINE D2			G25	2	2	
		A	12.00 R 24 ***	None							
	24 - 8.50 V	216 8.5	44 1.7	A	12.00 R 24 X MINE D2			G25	2	2	
		A	14.00 R 24 ***	None							
	24 - 9.00 V	228.6 9.0	44 1.7	A	12.00 R 24 X MINE D2			G25	2	2	
		A	14.00 R 24 ***	None							
	24 - 10.00 W	254 10.0	51 2.0	A	15.00 R 24 Pii			None	2	2	
		A	15.00 R 24 Pii	None	2			2			
	A	385/95 R 24	None	2	2						
20.5 x 16.00 20.5 x 18.00	406.5 16.0	12.7 0.5	520,7	R	525/65 R 20.5						
	457 18.0	12.7 0.5		R	24 R 20.5						
5° TAPER DROP CENTER RIMS (DC - DROP CENTER)  	24 x 9.00/1.5	228 9.0	38 1.5	614,4	A	14.00 R 24 * TG	None				
	25 x 12.00/1.3	305 12.0	33 1.3	635,0	A	15.5 R 25 * L2 - L3					
		A	15.5 R 25 * L2 - L3								
	A	17.5 R 25 * L2 - L3									
	25 x 13.00/1.4	330 13.0	36 1.4		A	17.5 R 25 * L2 - L3					
	25 x 14.00/1.3	355 14.0	33 1.3		A	17.5 R 25 * L2 - L3					
25 x 14.00/1.5	355 14.0	38 1.5	A		17.5 R 25 * L2 - L3						
635 x 280 CR	280 11.0	43 1.7	A	445/95 R 25 X CRANE +							
5° TAPER SEMI-DROP CENTER RIMS (SDC - SEMI-DROP CENTER) 	24 - 8.00 TG SDC	203 8.0	35.5 1.4	614,4		13.00 R 24 * TG	Heupo (OR 2-25)				
		R	14.00 R 24 * TG								
	24 - 10.00 VA SDC	254 10.0	43 1.7		A	14.00 R 24 * TG					
					R	16.00 R 24 * TG					

** R = Recommended - A = Allowed

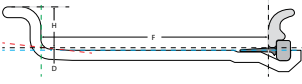
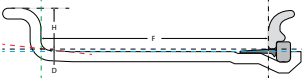


See note page 139 about TG tire fitment.

COMPONENTS USED WITH MICHELIN EARTHMOVER TIRES

APPROVED RIMS FOR MICHELIN EARTHMOVER TIRES

Check that the rim support is at least the weight carried by the tire.

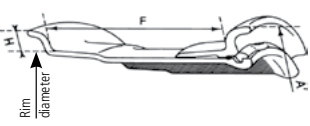
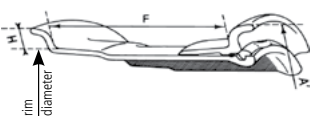
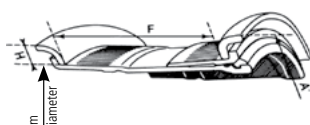
RIM TYPES	RIM DESIGN.	F		D ⁽¹⁴⁾		RIM R/A ^(1*)	TIRE SIZES	SEAL			
		MM INCHES	MM INCHES	MM INCHES	MM INCHES			TL	TT		
5° TAPER BEAD SEAT RIMS  (Removable bead seat, split)	15 - B 6.5	165.1 6.5	38.1 1.5	385,8	385,8	A A	7.50 R 15 8.25 R 15	None			
	15 - 10.50	267 10.5	38 1.5			R A	14.5 R 15 350/65 R 15				
	20 - B 6.5	165.1 6.5	38.1 1.5	512,8	512,8	A	9.00 R 20	Tyran (A 20)			
	20 - B 7.0	177.8 7.0	38.1 1.5			A	9.00 R 20 X MINE D2		NA	2	
	20 - B 7.5	190.5 7.5	43.2 1.7			A	9.00 R 20 X MINE D2		NA	2	
	20 - B 8.0	203.2 8.0	43.2 1.7			A	E-20 (13/80 R 20) Pii XLC		NA	2	
	20 - B 8.5	216 8.5	45.7 1.8			A	12.00 R 20				
			A			E-20 (13/80 R 20) Pii XLC	NA		2		
5° TAPER BEAD SEAT RIMS (ADVANCED RIM)  (Removable bead seat, split)	15 - 5.5	139.7 5.5	30.5 1.2	387,4	387,0	A	7.50 R 15	None			
	15 - 6.0	152.4 6.0	33 1.3			R A	7.50 R 15 8.25 R 15				
	15 - 6.5	165.1 6.5	35.6 1.4			A R	7.50 R 15 8.25 R 15				
	15 - 7.0	177.8 7.0	38 1.5			A	10.00 R 15 8.25 R 15				
	15 - 7.5	190.5 7.5	40.6 1.6			R	10.00 R 15				
	15 - 11.0	279.4 11	38 1.5			A	14.5 R 15				
	15 - 11.00 BD	279.4 11	36 1.4			A	14.5 R 15				
	15 - 11.50	292.1 11.5	38 1.5			A R R	14.5 R 15 350/65 R 15 400/80 R 15				
	20 - 6.5	165.1 6.5	35.6 1.4			A	9.00 R 20 X MINE D2		Tyran (A 20)	NA	2
	20 - 7.0	177.8 7.0	38 1.5			R	9.00 R 20 X MINE D2			NA	2
	20 - 7.0 T	177.8 7.0	38.1 1.5	A	9.00 R 20 X MINE D2	NA	2				
	20 - 7.5	190.5 7.5	40.6 1.6	A A	9.00 R 20 X MINE D2 E 20 P (13/80 R 20)	NA	2				
	20 - 8.0	203.2 8.0	43.2 1.7	A A	12.00 R 20 X MINE D2 E 20 (13/80 R 20) Pii XLC	NA	2				
	20 - 8.0 V	203.0 8.0	44.4 1.7	A	E 20 (13/80 R 20) Pii XLC	NA	2				
	20 - 8.5	215.9 8.5	45.7 1.8	R A	12.00 R 20 X MINE D2 E 20 (13/80 R 20) Pii XLC	NA	2				
	20 - 8.5 V	216 8.5	44.4 1.7	A A	12.00 R 20 X MINE D2 E 20 (13/80 R 20) Pii XLC	NA	2				
	20 - 9.0	228.6 9.0	48.3 1.9	A R	12.00 R 20 X MINE D2 E 20 (13/80 R 20) Pii XLC	NA	2				
	20 - 10.0	254 10.0	50.8 2.0	A R	E 20 (13/80 R 20) Pii XLC 14.00 R 20 X MINE D2	NA	2 0				
	24 - 7.5	190.5 7.5	40.5 1.6	616,0	615,6	A	12.00 R 24 X MINE D2	G25	2	2	
						A	12.00 R 24 XSM D2	G25	2	2	
						A	12.00 R 24 XKA***	G25	2	2	
	24 - 8.0	203.2 8.0	43.2 1.7			A	12.00 R 24 ***	None			
						A	12.00 R 24 X MINE D2	G25	NA	2	
24 - 8.5	215.9 8.5	45.7 1.8	R			12.00 R 24 ***	G25	NA	2		
						12.00 R 24 X MINE D2					
24 - 9.0	228.6 9.0	48.3 1.9	A			14.00 R 24 non TG	G25	NA	0		
			A			15.00 R 24 Pii	G25	NA	0		
24 - 10.0	254 10.0	50.8 2.0	R			14.00 R 24 non TG		NA	0		
			R	15.00 R 24 Pii	G25	NA	0				
			R	385/95 R 24		NA	0				

** R = Recommended - A = Allowed

COMPONENTS USED WITH MICHELIN EARTHMOVER TIRES

APPROVED RIMS FOR MICHELIN EARTHMOVER TIRES

Check that the rim support is at least the weight carried by the tire.

RIM TYPES	RIM DESIGN	F MM INCHES	H ⁽¹³⁾ MM INCHES	D ⁽¹⁴⁾ MM INCHES	RIM R/A ⁽¹⁵⁾	TIRE SIZES	SEAL		
							TL	TT	
5° TAPER BEAD SEAT RIMS (3 PIECES) 	24 - 11.25/1.3	286 11.3	33 1.3	616,0	A	385/95 R 24 X CRANE	G25	NA	0
	25 - 10.00/1.5	254 10.0	38 1.5		R A	14.00 R 25 385/95 R 25	Heupo (OR 2-25)		
	25 - 11.25/1.3	286 11.3	33 1.3		A A	14.00 R 25 385/95 R 25			
	25 - 11.25/2.0 IN ^(*)	284 11.2	51 2.0		A R A	14.00 R 25 16.00 R 25 445/95 R 2	Sulla (OR 3-25)		
	25 - 12.00/1.3	305 12.0	33 1.3		R R	15.5 R 25 385/95 R 25	Heupo (OR 2-25)		
	25 - 13.00/2.5 IN ^(*)	330 13.0	63.5 2.5		R R	18.00 R 25 505/85 R 25	Sulla (OR 3-25)		
	25 - 14.00/1.3	356	33		R	445/80 R 25	Heupo (OR 2-25)		
		14.0	1.3						
	25 - 14.00/1.5	355 14.0	38 1.5		R A	17.5 R 25 445/80 R 25			
	25 - 15.00/3.0 IN ^(*)	381 15.0	76 3.0		R	21.00 R 25	Sulla (OR 3-25)		
	25 - 17.00/1.7	432 17.0	43 1.7		R R	20.5 R 25 * 550/65 R 25	Heupo (OR 2-25)		
					A	600/65R25 XLD 65			
	25 - 17.00/2.0 IF ^(*)	432 17.0	51 2.0		R	20.5 R 25	Sulla (OR 3-25)		
					A A	525/80 R 25 550/65 R 25			
	A	600/65R25 XLD 65							
	R	23.5 R 25							
R	600/65 R 25 650/65 R 25 660/65 R 25								
R	26.5 R 25								
R	650/65 R 25 660/65 R 25 750/65 R 25								
R	29.5 R 25								
R	850/65 R 25								
25 - 19.50/2.5 IF ^(*)	495 19.5	63.5 2.5	R	600/65 R 25 650/65 R 25 660/65 R 25					
25 - 22.00/3.0 IF ^(*)	559 22.0	76 3.0	R	650/65 R 25 660/65 R 25 750/65 R 25					
25 - 25.00/3.5 IF ^(*)	635	89	R	29.5 R 25					
			25.0	3.5	R	850/65 R 25			
CR RIMS 3-PIECE FOR CRANES 	25 - 9.50/1.7 CR	241 9.5	43 1.7	635	A	14.00 R 25	Sulla (OR 3-25)		
	25 - 11.00/1.7 CR	279 11.0	43 1.7		A	385/95 R 25			
					A	16.00 R 25			
	25 - 14.00/1.7 CR	355 14.0	43 1.7		A	445/95 R 25			
					A	17.5 R 25			
25 - 17.00/1.7 CR	432 17.0	43 1.7	A	445/80 R 25					
25 - 17.00/1.7 CR	432 17.0	43 1.7	A	20.5 R 25					
			A	525/80 R 25					
5° TAPER BEAD SEAT RIMS (5 PIECES) 	25 - 10.00/2.0	254 10.0	51 2.0	635	A	505/85 R 25	Sulla (OR 3-25)		
	25 - 11.25/2.0 IN ^(*)	284 11.2	51 2.0		A	14.00 R 25			
					R	16.00 R 25			
	25 - 13.00/2.0 IN ^(*)	330 13.0	51 2.0		A	445/95 R 25			
A				16.00 R 25					

** R = Recommended - A = Allowed

(*) New wheels have additional marking IN:

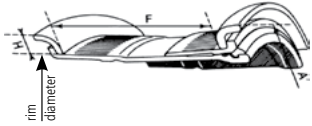
The IF flanges feature an Integrated Flange. They are 3-piece rims suited for radial tires.

The IN rims present a larger flange width and exist as 3-piece or 5-piece types.

COMPONENTS USED WITH MICHELIN EARTHMOVER TIRES

APPROVED RIMS FOR MICHELIN EARTHMOVER TIRES

Check that the rim support is at least the weight carried by the tire.

RIM TYPES	RIM DESIGN	F MM INCHES	H ^(*) MM INCHES	D ^(*) MM INCHES	RIM R/A ^(**)	TIRE SIZES	SEAL	
							TL	TT
5° TAPER BEAD SEAT RIMS (5 PIECES) 	25 - 13.00/2.5 IN ^(*)	330 13.0	63.5 2.5	635	R	18.00 R 25	Sulla (OR 3-25)	
					R	505/85 R 25		
	25 - 15.00/2.5 IN ^(*)	381 15.0	63.5 2.5		A	18.00 R 25		
					A	505/85 R 25		
	25 - 15.00/3.0 IN ^(*)	381 15.0	76 3.0		R	21.00 R 25		
					R	20.5 R 25		
	25 - 17.00/2.0	432 17.0	51 2.0		A	525/80 R 25		
					R	550/65 R 25		
					A	600/65R25 XLD 65		
					A	21.00 R 25		
	25 - 17.00/3.0	432 17.0	76 3.0		A	21.00 R 25		
	25 - 19.50/2.0	495 19.5	51 2.0		A	25/26 R 25		
	25 - 19.50/2.5	495 19.5	63.5 2.5		R	23.5 R 25		
					R	600/65 R 25		
					R	650/65 R 25 660/65 R 25		
					R	660/65 R 25		
	25 - 20.00/2.0	508 20.0	51 2.0		A	25/26 R 25		
	25 - 22.00/3.0	559 22.0	76 3.0		R	26.5 R 25		
					R	650/65 R 25		
					R	660/65 R 25 750/65 R 25		
A				750/65 R 25				
25 - 24.00/3.0	610 24.0	76 3.0	R	750/65 R 25				
25 - 25.00/3.0	635 25.0	76 3.0	R	750/65 R 25				
25 - 25.00/3.5	635 25.0	89 3.5	R	29.5 R 25				
			R	850/65 R 25				
25 - 27.00/3.5	687 27.0	89 3.5	A	850/65 R 25				
29 - 22.00/3.0	559 22.0	76 3.0	R	26.5 R 29				
			A	30/65 R 29				
	29 - 24.00/3.0	610 24.0	76 3.0	R	30/65 R 29			
				A	26.5 R 29			
	29 - 24.00/3.5	610 24.0	89 3.5	A	29.5 R 29			
				A	800/65 R 29			
	29 - 25.00/3.5	635 25.0	89 3.5	R	29.5 R 29			
	29 - 27.00/3.0	687 27.0	76 3.0	R	800/65 R 29			
R				875/65 R 29				
29 - 27.00/3.5	686 27.0	89 3.5	R	33.25 R 29				

** R = recommended - A = Allowed

(*) New wheels have additional marking **IN**:

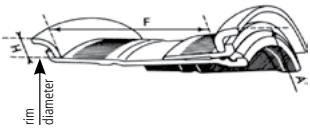
The IF flanges feature an Integrated Flange. They are 3-piece rims suited for radial tires.

The IN rims present a larger flange width and exist as 3-piece or 5-piece types.

COMPONENTS USED WITH MICHELIN EARTHMOVER TIRES

APPROVED RIMS FOR MICHELIN EARTHMOVER TIRES

Check that the rim support is at least the weight carried by the tire.

RIM TYPES	RIM DESIGN	F MM INCHES	H ⁽¹³⁾ MM INCHES	D ⁽¹⁴⁾ MM INCHES	RIM R/A ⁽¹⁵⁾	TIRE SIZES	SEAL		
							TL	TT	
5° TAPER BEAD SEAT RIMS (5 PIECES) 	33 - 13.00/2.5 IN ^(*)	330 13.0	63.5 2.5	838		18.00 R 33	Strix (OR 3-33)		
	33 - 15.00/3.0 IN ^(*)	381.0 15	76.2 3.0		R	21.00 R 33			
	33 - 28.00/4.0	711 28.0	101.5 4.0		A	33.5 R 33			
	33 - 28.00/3.5	711 28.0	89 3.5		A	35/65 R 33			
	33 - 32.00/4.5	813 32.0	114.5 4.5		R	37.5 R 33			
	35 - 15.00/3.0 IN ^(*)	381 15.0	76 3.0	889	R	21.00 R 35	Stras (OR 3-35)		
	35 - 17.00/3.0	432 17.0	76 3.0		A	21.00 R 35			
	35 - 17.00/3.5	432 17.0	89 3.5		R	24.00 R 35			
	35 - 25.00/3.5	635 25.0	89 3.5		R	29.5 R 35			
	35 - 27.00/3.5	686 27.0	89 3.5		R	33.25 R 35			
					A	29.5 R 35			
	35 - 29.00/3.5	737 29.0	89 3.5		A	33.25 R 35			
	35 - 31.00/4.0	787 31.0	101.5 4.0	A	37.25 R 35				
	39 - 32.00/4.5	813 32.0	114.5 4.5	991	R	37.5 R 39	Fuodi (OR 3-39)		
					R	40.5/75 R 39			
A					45/65 R 39				
39 - 36.00/4.5	914 36.0	114.5 4.5	R	45/65 R 39					
45 - 36.00/4.5	914 36.0	114.5 4.5	1143	R	45/65 R 39	Réf. 1580 (OR 3-45)			
				R	45/65 R 45				
49 - 17.00/3.5	432 17.0	89 3.5	1245	R	24.00 R 49	Heyco (OR 3-49)			
49 - 19.50/4.0	495 19.5	101.5 4.0		R	27.00 R 49				
51 - 22.00/4.5	559 22.0	114.5 4.5	1295	R	30.00 R 51	Réf. 1479 (OR 4-51)			
51 - 24.00/5.0	610 24.0	127 5.0		R	33.00 R 51				
51 - 26.00/5.0	660 26.0	127 5.0		R	36.00 R 51				

** R = Recommended - A = Allowed

(*) New wheels have additional marking **IN**:

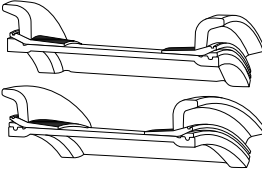
The IF flanges feature an Integrated Flange. They are 3-piece rims suited for radial tires.

The IN rims present a larger flange width and exist as 3-piece or 5-piece types.

COMPONENTS USED WITH MICHELIN EARTHMOVER TIRES

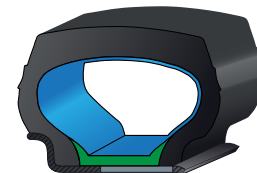
APPROVED RIMS FOR MICHELIN EARTHMOVER TIRES

Check that the rim support is at least the weight carried by the tire.

RIM TYPES	RIM DESIGN.	F MM INCHES	H ⁽¹³⁾ MM INCHES	D ⁽¹⁴⁾ MM INCHES	RIM R/A ⁽¹¹⁾	TIRE SIZES	SEAL	
							TL	TT
5° TAPER BEAD SEAT RIMS (FROM 6 TO 8 PIECES) 	57 - 27.00/6.0	686 27.0	152 6.0	1448	R	37.00 R 57	Réf. 1481 (OR 4-57)	
	57 - 29.00/6.0	736 29.0	152 6.0		R	40.00 R 57		
					A	37.00 R 57		
	57 - 32.00/5.0	813 32.0	127 5.0		A	50/80 R 57 XDR250		
					A	40.00 R 57		
	57 - 32.00/6.0	813 32.0	152 6.0		A	40.00 R 57		
					R	50/80 R 57 XDR250		
	57 - 32.00/6.5	813 32.0	165 6.5		A	50/80 R 57 XDR		
					A	50/90 R 57		
	57 - 34.00/6.0	863 34.0	152 6.0		A	50/80 R 57 XDR		
	57 - 42.00/5.0	1067 42.0	127 5.0		A	55/80 R 57		
	57 - 44.00/5.0	1117 44.0	127 5.0		A	55/80 R 57		
	57 - 47.00/5.0	1194 47.0	127 5.0		A	60/80 R 57		
	63 - 36.00/5.0	914 36.0	127 5.0		1600	A		
A				53/80 R 63				
A				55/80 R 63				
A				56/80 R 63				
63 - 44.00/5.0[6.0]	1117 44.0	127 5.0	A	59/80 R 63				

** R = Recommended - A = Allowed

COMPONENTS USED WITH MICHELIN EARTHMOVER TIRES



FLAP + TUBE SOLUTION

RIM & TIRE SIZE			FLAPS (FITTING ONLY ON FLAT BASE RIM OR SEMI DROP CENTER RIM 1 OR 2 TAPERED BEADS SEAT 5° (PACKAGING = 5)		TUBES (FOR RIMS WITH OFFSET HOLE, PLEASE USE CONVENIENT FLAPS AND TUBES)					
RIM Ø (INCHES)	Ø WIDTH RIM RECOM- MENDED (INCHES)	TIRE SIZE	DESCRIPTION	CAI	DESCRIPTION (PACKAGING)	VALVE TYPE	ETRTO / TRA REF.	MI REF.	CAI	
15	5.5 6.0 6.00S 6.5 B6.5	7.50 R 15	15x6.00 E	843437	15/16J (16)	WITHOUT (UPLR R1548)	-	-	101107	
						SINGLE BEND	V3-02-2	570	101106	
						DOUBLE BEND	V3-05-1	1221	101146	
	6.5	8.25 R 15	15x6.00 E	843437	15K (12)	WITHOUT (UPLR R1548)	-	-	101124	
						SINGLE BEND	V3-02-9	1156	101128	
						DOUBLE BEND	V3-05-1	1221	101126	
	7.0	315/70 R 15	15x7.50 E	904287	15P (7)	WITHOUT (UPLR R1548)	-	-	510208	
						TRIPLE BEND	V3-06-5	582	510204	
	20	6.5 B6.5 7.0T 7.0 B7.0 7.33V B7.5 7.5	9.00 R 20	20x7.50 E	320222	20M (9)	WITHOUT (UPLR R1548)	-	-	101149
				20x7.50 EM	627065		SINGLE BEND	V3-02-12	1157	101153
					TRIPLE BEND		V3-06-3	581	101154	
7.33V 7.5 B7.5 8.0 B8.0 8.0V 8.00V 8.5 B8.5 8.50V 9.0 9.00V 10.0 10.00V		E 20 Pilote (13/80 R 20)	20x8.50 E	162318	20P (6)	WITHOUT (UPLR R1548)	-	-	101171	
						SINGLE BEND	V3-02-14	1158	101173	
			20x8.50 EM	726102		TRIPLE BEND	V3-06-5	582	101174	
						FIXED	TR78A	TR78A	008811	
8.0 8.5 B8.5 8.5V 8.50V 9.0 9.00V		12.00 R 20	20x8.50 E	162318	20Q (5)	WITHOUT (UPLR R1548)	-	-	101190	
						SINGLE BEND	V3-02-15	1138	101185	
			20x8.50 EM	726102		SINGLE BEND	V3-02-14	1158	101192	
						TRIPLE BEND	V3-06-5	582	101193	
10.00W 10.0		14.00 R 20	20x10.00 E	622293	20Q (5)	WITHOUT (UPLR R1548)	-	-	101190	
						SINGLE BEND	V3-02-15	1138	101185	
						SINGLE BEND	V3-02-14	1158	101192	
						TRIPLE BEND	V3-06-5	582	101193	
10.00W 11.25		16.00 R 20	20x10.00 E	622293	20V (1)	SINGLE BEND	V3-02-3	576	511937	

FOR VALVE TYPE DESCRIPTION, PLEASE REFER TO THE PAGE 163

COMPONENTS USED WITH MICHELIN EARTHMOVER TIRES

FLAP + TUBE SOLUTION

RIM & TIRE SIZE			FLAPS (FITTING ONLY ON FLAT BASE RIM OR SEMI DROP CENTER RIM 1 OR 2 TAPERED BEADS SEAT 5°) (PACKAGING = 5)		TUBES (FOR RIMS WITH OFFSET HOLE, PLEASE USE CONVENIENT FLAPS AND TUBES)				
RIM Ø (INCHES)	Ø WIDTH RIM RECOM- MENDED (INCHES)	TIRE SIZE	DESCRIPTION	CAI	DESCRIPTION (PACKAGING)	VALVE TYPE	ETRTO / TRA REF.	MI REF.	CAI
20.5	16.00 DC	525/65 R 20.5 (20.5 R 20.5)	WITHOUT	-	19.5/20.5UD ⁽¹⁾ (3)	STRAIGHT	-	1964	101280
	18.00 DC	24 R 20.5	WITHOUT	-	20.5W AMD ⁽²⁾ (1)	SINGLE BEND	V5-04-1 TRJ650	1837	101331
21	18.00	24 R 21	WITHOUT	-	21W AM (1)	SINGLE BEND	V5-04-1 TRJ650	1837	101333
24	7.3V 7.5 8.0 8.0V 8.00V 8.5 8.50V	12.00 R 24	24/25x8.50 E	018130	24Q (4)	WITHOUT (UPLR R1548)	-	-	101194
						TRIPLE BEND	V3-06-5	582	101196
	8.00TG SDC 9.00/1.5 DC 10.00 VA SDC	13.00 R 24 XGLA2 TG	-	-	M703 (1)	STRAIGHT	V7-01-1 TR218A	M703	027015
					703 (1)	STRAIGHT	V7-01-1 TR218A	703	171114 KLEBER
	8.00TG SDC 9.00/1.5 DC 10.00 VA SDC	14.00 R 24 XGLA2 TG XSNOPUS TG	-	-	24TD ⁽³⁾ (4)	WITHOUT (UPLR R1548)	-	-	101242
						SINGLE BEND	V3-02-4	577	101244
	9.00V 9.0 10.0/2.0 10.00W	14.00 R 24 XKA XKD1	-	-	24/25T (3)	WITHOUT (UPLR R1548)	-	-	514507
						SINGLE BEND	V3-02-17	752	514503
						SINGLE BEND	V3-02-3	576	514500
	9.00V 9.0 10.0/2.0 10.00W	14.00 R 24 XKA XKD1 XSM D2+	-	-	24/25T AM (3)	SINGLE BEND	V5-04-1 TRJ650	1837	101781
	9.00V 9.0 10.0 10.0W	15.00 R 24 (17/80 R 24) XLC C1	-	-	24/25T AM (3)	SINGLE BEND	V5-04-1 TRJ650	1837	101781
	10.00 VA SDC	16.00 R 24 XGLA2 TG	-	-	24/25VD ⁽⁴⁾ (3)	WITHOUT (UPLR R1548)	-	-	101298
						WITHOUT (UPLR R1548)	-	-	514507
	9.00V 9.0 10.0/2.0 10.00W	385/95 R 24 XSNOPUS XMH S	-	-	24/25T (3)	SINGLE BEND	V3-02-17	752	514503
					SINGLE BEND	V3-02-3	576	514500	
					24/25T AM (3)	SINGLE BEND	V5-04-1 TRJ650	1837	101781
10.00W 10.0 11.25/1.3	385/95 R 24 X-CRANE	-	-	24/25T (3)	WITHOUT (UPLR R1548)	-	-	514507	
					SINGLE BEND	V3-02-17	752	514503	
					SINGLE BEND	V3-02-3	576	514500	

(1) 19.5/20.5UD, CAI 101280 offset valve: 75mm

(2) 20.5W AMD, CAI 101331 offset valve: 100 mm

(3) 24TD, CAI 101242 offset valve base 35 mm & CAI 101244 offset valve: 35mm

(4) 24/25VD, CAI 101298 offset valve base 35 mm

FOR VALVE TYPE DESCRIPTION, PLEASE REFER TO THE PAGE 163

COMPONENTS USED WITH MICHELIN EARTHMOVER TIRES

FLAP + TUBE SOLUTION

RIM & TIRE SIZE			FLAPS (FITTING ONLY ON FLAT BASE RIM OR SEMI DROP CENTER RIM 1 OR 2 TAPERED BEADS SEAT 5°) (PACKAGING = 5)		TUBES (FOR RIMS WITH OFFSET HOLE, PLEASE USE CONVENIENT FLAPS AND TUBES)				
RIM Ø (INCHES)	Ø WIDTH RIM RECOM- MENDED (INCHES)	TIRE SIZE	DESCRIPTION	CAI	DESCRIPTION (PACKAGING)	VALVE TYPE	ETRTO / TRA REF.	MI REF.	CAI
25	10.00/1.5 11.25/1.3	14.00 R 25 XH D1 A	-	-	24/25T (3)	WITHOUT (UPLR R1548)	-	-	514507
						SINGLE BEND	V3-02-17	752	514503
						SINGLE BEND	V3-02-3	576	514500
	10.00/1.5 11.25/1.3	14.00 R 25 XH D1 A	-	-	24/25T AM (3)	SINGLE BEND	V5-04-1 TRJ650	1837	101781
						WITHOUT (UPLR R1548)	-	-	514507
	9.50/1.7 CR 10.00/1.5 11.25/1.3	385/95 R 25 XSNOLPUS XMH S X-CRANE+	-	-	24/25T (3)	SINGLE BEND	V3-02-17	752	514503
						SINGLE BEND	V3-02-3	576	514500
						SINGLE BEND	V5-04-1 TRJ650	1837	101781
	12.00/1.3 12.00/1.3 DC 13.00/1.4 DC	15.5 R 25	-	-	25S AM (4)	SINGLE BEND	V5-04-1 TRJ650	1837	101771
						11.25/2.0 13.00/2.0	16.00 R 25	-	-
	14.00/1.7 CR 14.00/1.5	445/80 R 25	-	-	24/25T AM (3)	SINGLE BEND	V5-04-1 TRJ650	1837	101781
	11.00/1.7 CR 11.25/2.0	445/95 R 25	-	-	24/25V AM (1)	SINGLE BEND	V5-04-1 TRJ650	1837	101811
	14.00/1.5	17.5 R 25	-	-	24/25T AM (3)	SINGLE BEND	V5-04-1 TRJ650	1837	101781
	13.00/2.5 15.00/2.5	18.00 R 25	-	-	25W AM (1)	SINGLE BEND	V5-04-1 TRJ650	1837	101871
	10.0/2.0 13.00/2.5 15.00/2.5	505/95 R 25	-	-	25W AM (1)	SINGLE BEND	V5-04-1 TRJ650	1837	101871
	17.00/1.7 17.00/2.0	20.5 R 25	-	-	24/25V AM (1)	SINGLE BEND	V5-04-1 TRJ650	1837	101811
	17.00/1.7 CR 17.00/2.0	525/80 R 25	-	-	24/25V AM (1)	SINGLE BEND	V5-04-1 TRJ650	1837	101811
	15.00/3.0	21.00 R 25	-	-	25YB AM (1)	SINGLE BEND	V5-04-1 TRJ650	1837	101346
	17.00/1.7 17.00/2.0	550/65 R 25	-	-	25W AM (1)	SINGLE BEND	V5-04-1 TRJ650	1837	101871
	19.5/2.5	23.5 R 25	-	-	25W AM (1)	SINGLE BEND	V5-04-1 TRJ650	1837	101871
22.00/3.0 22.00/3.0 IF	26.5 R 25	-	-	25YB AM (1)	SINGLE BEND	V5-04-1 TRJ650	1837	101346	
25.00/3.5	29.5 R 25	-	-	25YB AM (1)	SINGLE BEND	V5-04-1 TRJ650	1837	101346	

FOR VALVE TYPE DESCRIPTION, PLEASE REFER TO THE PAGE 163

COMPONENTS USED WITH MICHELIN EARTHMOVER TIRES

EXPLANATION ON THE TUBE AND THE FLAP MARKINGS

EXPLANATION ON THE TUBE MARKINGS

Example 1: **24/25 V AM**

example2: **25 YB AM**

The first two numbers indicate the bead seat (rim) diameter of the tire into which the tube can be fitted.

(In the first example, the tube may be fitted in 24- and 25-inch tires. In the second example, the tube may be fitted only in 25 inch tires).

The first letter corresponds to the section width of the tube (internal width of the tire).

This ranges from A to Z, with A being the smallest, and Z the largest (In the examples above, V and Y indicate that the tubes are designed for fitting into tires of relatively large section width.)

Sometimes, a second letter provides additional information (example 2); B, E, F and H indicate intermediate widths.

The third and fourth letters are an indication of the valve type.

AM indicates that the tube is fitted with an American valve base: R1946 (TRA SP4000) and a valve stem R1837 (TRJ 650).

D would indicate that the valve is offset. T would indicate a tractor tube fitted with an air-water valve, type TR 218A.

Explanation on valves and valve bases are given on subsequent pages.

EXPLICATIONS ON THE FLAP MARKINGS

Example 1: **14-24/25**

The first number indicates the total width of the flap when laid flat (includes height of edges), expressed in either millimeters or in inches.

In the example above, the width of the flap is 14 inches.

The second number indicates the rim diameter, or the tire bead seat (rim) diameter in inches, with which the flap is to be used.

In this example, the flap may be used with 24- and 25-inch tires.

Additional letters may be used to provide supplementary information.

For example, the significance of different letters is as follows: L—the edges are tapered, B—the flap has a reinforcing boss around the valve hole, S—the flap is reinforced, D—offset hole valve.

Example 2: **20 x 8.50 E**

The first number indicates the tire seat diameter, expressed in inches, with which the flap is to be used.

In this example, the flap may be used with 20-inch tires.

The second number indicates the overall width of the flap (width + height), in inches.

In this example, the overall width of the flap is 8.50 inches.

Letters correspond to the last generation of flaps.

COMPONENTS USED WITH MICHELIN EARTHMOVER TIRES

O-RINGS OR CORNER SEALS SOLUTION

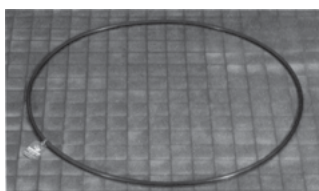
FOR FITTING ON MULTI-PIECES RIMS



O-RINGS & CORNER SEALS DESCRIPTION

RIM Ø (INCHES)	TYPE	DESCRIPTION	MICHELIN REF.	CAI	PACKAGING
For 16" rims	CORNER SEAL	16	R 1967	553026	30
		A-16 SPRAT	R 1014	553007	30
		E-16	R 1786	553024	30
For 20" rims	CORNER SEAL	A 20 TYRAN	R 1443	553004	30
		20	R 2050	553053	30
For 24" rims	CORNER SEAL	B 24/25	R 1528	553021	10
For tires 12.00 R 24 XMINE D2	CORNER SEAL	G 25 ICERU	R 1237	553012	30
For 20" rims in 3 pieces	O-RING	OR 6.6 - 20	R 1681	553215	20
For 21" rims	O-RING	OR 6.8 - 21	R 1506	553213	20
For 22.5" rims	O-RING	OR 22.5	R 2051	553054	10
For 25" rim in 3 pieces non IF or for 24" rim 10.00 VA	O-RING	OR 2-25 HEUPO	R 1438	553201	20
For 25" rim in 3 pieces IF or in 3 pieces CR for crane or in 5 pieces or for 24" rim 10.00 WA	O-RING	OR 3-25 SULLA	R 1437	553200	20
For 29" rims	O-RING	OR 3-29 SULKY	R 1439	553202	20
For 32" rims	O-RING	OR 2-32	R 2052	553055	20
For 33" rims	O-RING	OR 3-33 STRIX	R 1440	553203	20
For 35" rims	O-RING	OR 3-35 STRAS	R 1441	553204	20
For 39" rims	O-RING	OR 3-39 FUODI	R 1069	553206	20
For 45" rims	O-RING	OR 3-45	R 1580	553214	20
For 49" rims	O-RING	OR 3-49 HEYCO	R 1442	553205	10
For 51" rims	O-RING	OR 4-51	R 1479	553210	10
For 57" rims	O-RING	OR 4-57	R 1481	553211	10
For 63" rims	O-RING	OR 4-63	R 2053	553056	10

SEAL DESCRIPTION



O-RING

Explanation of the sealing ring designation

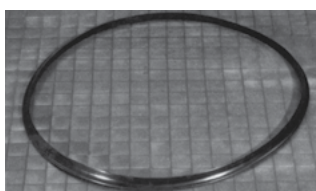
The first number is the section diameter of the seal:

OR: Abbreviation of O-Ring

- imperial number: value expressed in 1/8 of inch (3 = 3/8)

- decimal number: value expressed in mm (6.6 = 6,6 mm)

The second number is the nominal bead seat diameter, expressed in inches.



CORNER SEAL

Explanation of the corner seal designation

The letter indicates the profile of the seal.

The number is the nominal rim diameter, in inches.

Note: Approval for use of corner seals MUST BE obtained from Michelin.



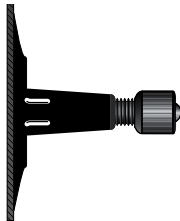
Never reuse O-rings, valve seals or the valves themselves!

COMPONENTS USED WITH MICHELIN EARTHMOVER TIRES

VALVES AND ASSOCIATED ACCESSORIES FOR MICHELIN EARTHMOVER TIRES

In all cases, the valve cap is essential because it helps maintain the cleanliness of the mechanism and ensures air tightness of the valve.

CAR TUBE TYPE STRAIGHT VALVE

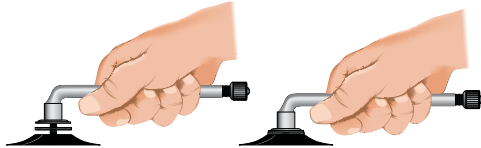


VALVE MARKINGS

The valve is circular and is marked in accordance with ETRTO standards, starting at the top of the valve, and in the following order:
- NAME (or trademark) of the valve manufacturer and his reference number.
- ETRTO reference number.

Michelin code	ETRTO code	Valve code	Valve hole ø in mm
611	V2-01-2	TR 15	16
746	V2-01-1	TR 13	11.5

FITTING A UNIVERSAL VALVE ON A MICHELIN® TUBE WITH A VALVE BASE



- 1 - Position the sealing ring on the valve.
The sealing ring must be clean and dry.
- 2 - Hand tighten the valve until it just touches the sealing ring.
- 3 - Tighten the valve for a further two turns.
- 4 - To orientate the valve in the desired position, tighten further.

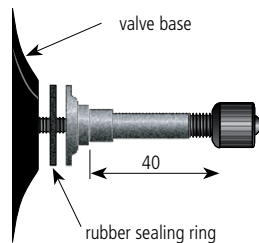


IMPORTANT: Never unscrew the valve to the desired position.

Note: Do not exceed the tightening guidelines given above. Do not forget to replace the valve cap to prevent dirt ingress and to ensure air tightness.

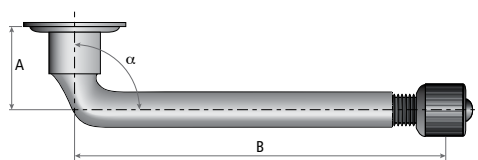
SMALL TRUCK, UNIVERSAL STRAIGHT VALVE

Fitted to MICHELIN® tubes for the occasional equipment Tube-Type on 5° and 15° non U taper drop center rim.



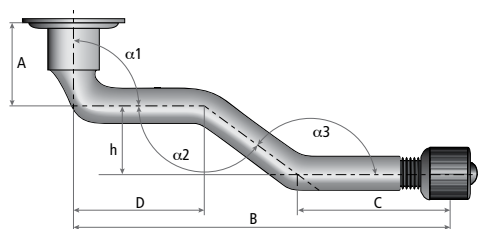
Michelin code	ETRTO code	Valve hole ø in mm	A	
			mm	inches
1964	/	9.7	40	1.57

TRUCK-TYPE, UNIVERSAL SINGLE-BEND VALVE



Michelin code	ETRTO code	A		B		α°
		mm	pouces	mm	inches	
570	V3-02-2	22.5	0.89	43	1.69	120
576	V3-02-3	33	1.30	44.5	1.75	95
577	V3-02-4	39.5	1.56	44.5	1.75	110
752	V3-02-17	20.5	0.81	156.5	6.16	90
1158	V3-02-14	20.5	0.81	138.5	5.45	94

TRUCK-TYPE, UNIVERSAL TRIPLE-BEND VALVE



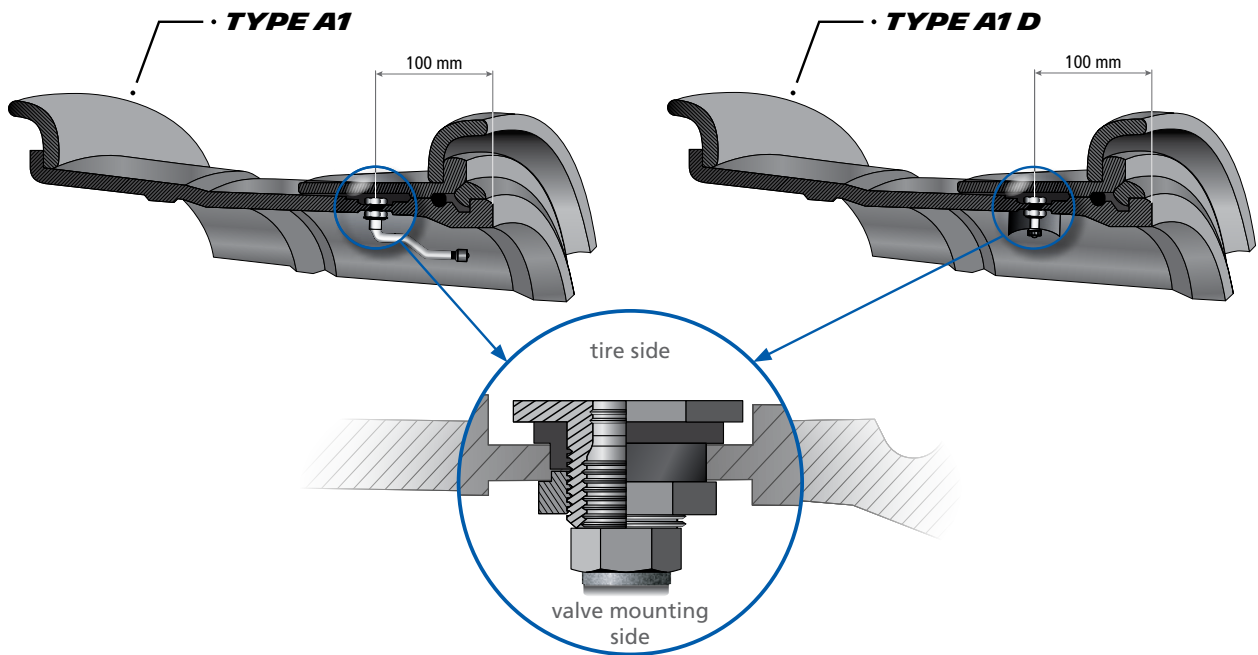
Michelin code	ETRTO code	α1°	α2°	α3°
582	V3-06-5	90	139	139

A		B		C		D	
mm	inches	mm	inches	mm	inches	mm	inches
20.5	0.81	131	5.16	49	1.93	62.5	2.46

**COMPONENTS USED WITH
MICHELIN EARTHMOVER TIRES**

TYPES OF TUBELESS EARTHMOVER VALVES

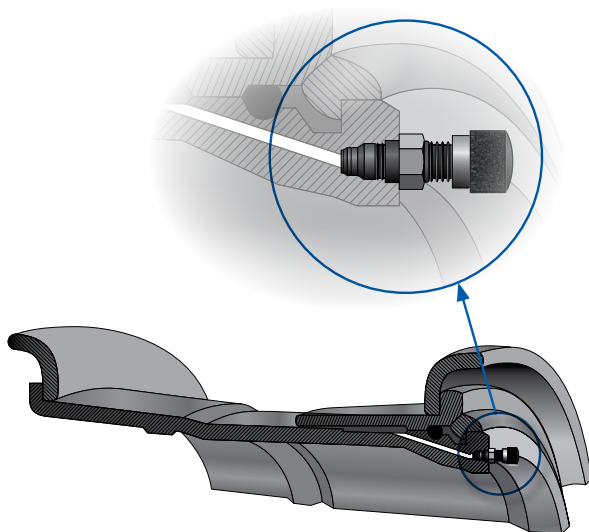
VALVE TYPE A1



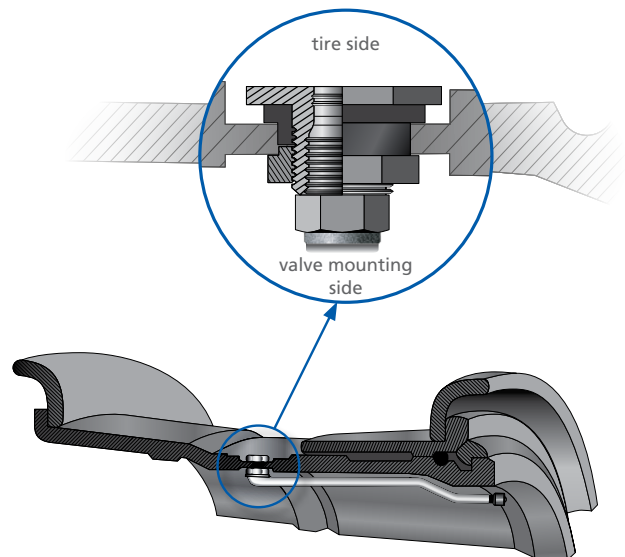
VALVE COMBINATION TYPE A4

Comprised of two TYPE A1 valves, both set at 100 mm from the rim edge, to enable water filling.

VALVE TYPE A2

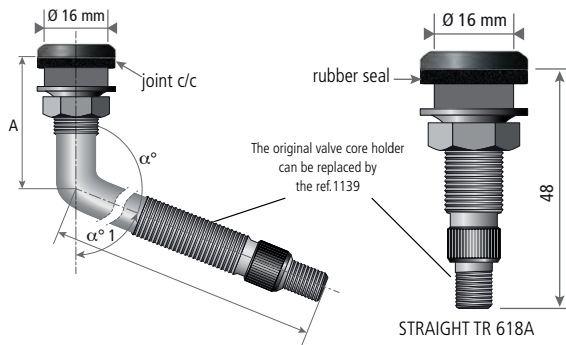


VALVE TYPE A3



COMPONENTS USED WITH MICHELIN EARTHMOVER TIRES

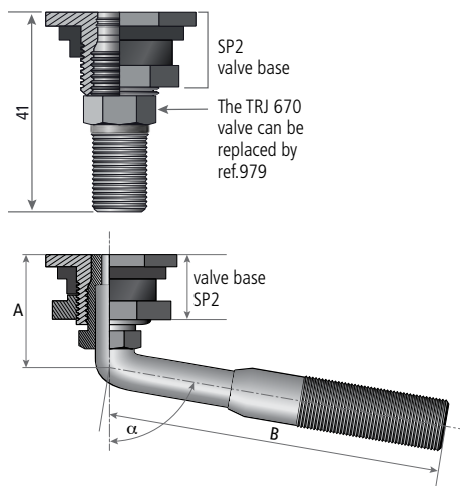
AIR AND WATER TUBELESS VALVES, AMERICAN TRA STANDARD



TRA code	ETRTO designation	A		B		α°
		mm	inches	mm	inches	
TR 618 A	V5-01-1	47.5	1.87	-	-	-
TR 621 A	V5-02-1	39	1.54	76	2.99	115°
TR 622 A	V5-02-2	44.5	1.75	117	4.61	90°
TR 623 A	V5-02-3	39	1.54	57	2.24	115°

Valves for 15.7 mm (0.6-inch) diameter hole

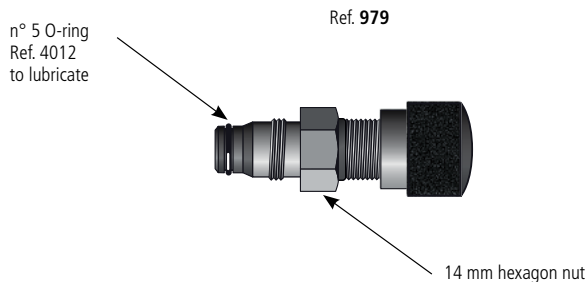
EARTHMOVER TUBELESS VALVE (AMERICAN TRA STANDARD)



Michelin code	TRA code	ETRTO designation	A		B		α°
			mm	inches	mm	inches	
R 1837	TRJ 650	V5-04-1	27	1.08	79	3.12	100°
	TRJ 651	V5-04-2	32	1.27	119	4.69	90°
	TRJ 652		27	1.08	140	5.5	94°
	TRJ 653		27	1.08	63	2.5	100°
	TRJ 654		27	1.08	79	3.12	120°
	TRJ 655		27	1.08	79	3.12	106°
	TRJ 656		67	2.62	94	3.69	90°
	TRJ 657		27	1.08	102	4	100°
	TRJ 658		27	1.08	140	5.5	100°
	TRJ 659		48	1.89	89	3.5	90°
R 979	TRJ 660		48	1.89	222	8.75	90°
	TRJ 669		27	1.08	64	2.5	90°
	TRJ 670		41	1.63	-	-	-

Valves used on an American valve base SP2 [20.5 mm (0.8-inch) diameter hole] and also on AM tubes.

STRAIGHT, LARGE-BORE VALVES

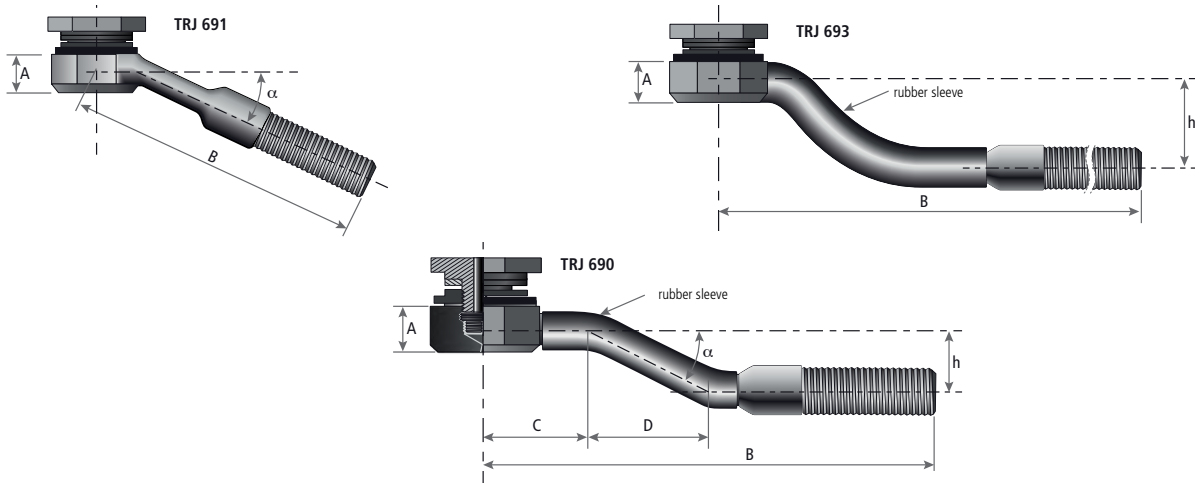


Used with Type A2 rim contour or with SP2 base (may also replace TRJ 670).

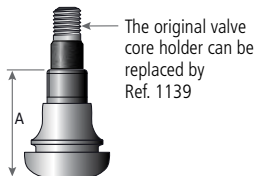
COMPONENTS USED WITH MICHELIN EARTHMOVER TIRES

SINGLE-PIECE VALVES (20,5 mm valve hole)

TRA code	A		B		C		D		H		α°
	mm	inches	mm	inches	mm	inches	mm	inches	mm	inches	
TRJ 690	16	0.63	119	4.69	32	1.26	27	1.06	14	0.55	28
TRJ 691	16	0.63	84	3.31							18
TRJ 693	16	0.63	127	5.00					25	0.98	



AIR AND WATER TUBELESS, STRAIGHT RUBBER VALVES



A	Designation
mm/inches	
35 1.38	35 GSW 15.7



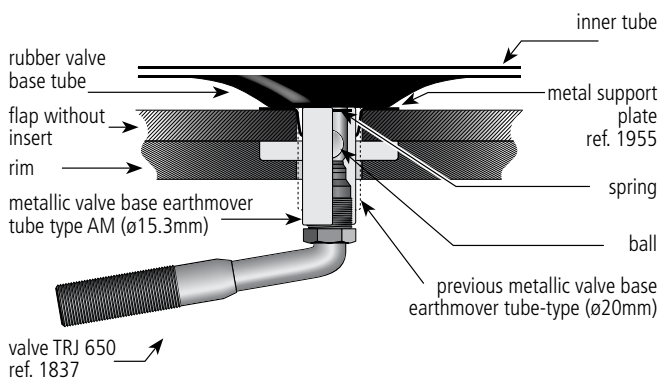
Caution! Don't use this valve with pressures higher than 4,5 bar.

Valves for 15.7 mm (0.6-inch) diameter hole

VALVE BASE

ACTUAL VALVAGE

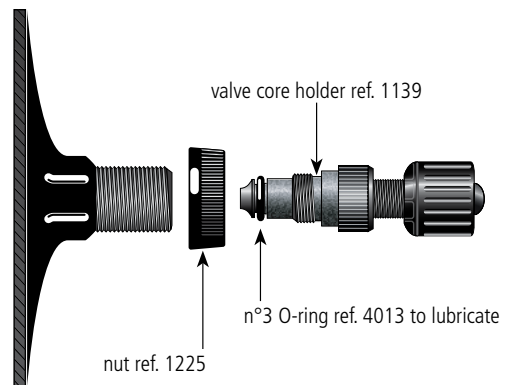
(mounting with tube)



AIR AND WATER AGRICULTURAL-TYPE VALVE BASE

Allows tire to be water-filled.

Valve with core holder 1139 and plastic nut ref. 1225



HELP WITH THE USE OF EARTHMOVER TIRES

MICHELIN EARTHMOVER TIRES FOR TRANSPORT MACHINES

DETERMINING INFLATION PRESSURES

- **Determine** the maximum load on each tire by weighing.

This is the only way that tire pressures can be set accurately for optimum performance.

If it is not possible to weigh the machine, determine the maximum load per tire on each axle by calculation or by using the machine manufacturer's data.

The following data needs to be established:

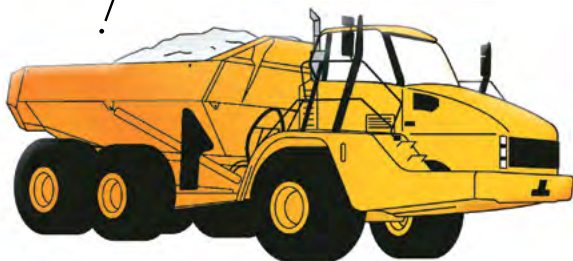
- The Gross Vehicle Weight (total machine weight in the laden condition).
- The percentage load distribution by axle.

- **Calculate** the load per axle, then determine the tire weight by dividing the axle load by the number of tires per axle.
- **Use** the tables *Tire Loads and Pressures* for TRANSPORT in the MICHELIN® Earthmover Data Book.

This method applies to the following machine tires:

- Rigid Dump Trucks*
- Articulated Dump Trucks*
- Bottom Dump Trucks*
- Motor Scrapers*
- Site Dump Trucks*

• **ARTICULATED DUMP TRUCKS**



• **RIGID DUMP TRUCKS**



• **BOTTOM DUMP TRUCKS**



• **MOTOR SCRAPERS**



HELP WITH THE USE OF EARTHMOVER TIRES

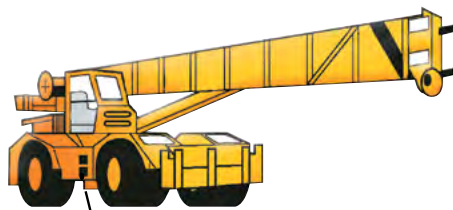
MICHELIN EARTHMOVER TIRES FOR MOBILE CRANES, SPECIAL APPLICATIONS, RAPID INTERVENTION VEHICLES (CIVIL AND MILITARY)

DETERMINING INFLATION PRESSURES

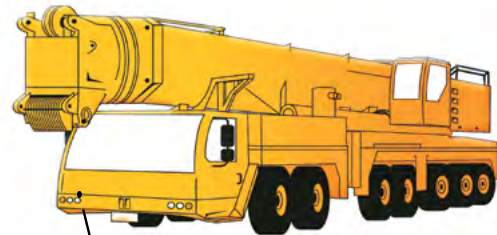
- **Determine** the maximum load on each tire by weighing
 - By using the machine manufacturer's data, or
 - By weighing each axle.

 - **Calculate** the load per tire (in the case of a crane, divide the total weight by the number of axles, and divide by the number of tires per axle).

 - **Use** the tables *Tire Loads and Pressures* for CRANES to determine the tire pressures.
 - In the case of use of tires on special machines, please consult your Michelin® Representative.
 - Tyres are made from different types of materials that have the properties which are essential for the tyre to perform properly. These properties may change over time. These changes depend on numerous factors such as the storage conditions, usage and, in particular, the load, speed, tyre pressure, maintenance, weather conditions etc. to which the tyre is subjected throughout its useful life. These factors impact a tyre's service life.
- The design of Michelin tyres is intended to deliver long lasting performance and ensure that the machine remains operational for the longest possible periods.
- If we take a look at the conditions of use of mobile cranes, we see a reduction in the average distance travelled every year. As a result, the tyres stay fitted to the cranes for a longer period of time.
- Accordingly, Michelin recommends that the service life of mobile crane tyres be limited to a maximum of 10 years.



• **RT CRANE**



• **AT CRANE**

MICHELIN EARTHMOVER TIRES USED IN DESERT AND SIMILAR CONDITIONS

These tires are used on machines that are operated in special conditions, such as sand, desert regions, etc.

Two speed limits are applied to the tires according to the type of work.

- A limit for use on sand and hard track.
- A higher limit for road use with no particular problem of grip or accidental damage.

INFLATION PRESSURES

For a given load, the inflation pressure depends on the rolling condition

- Road
- Track
- Sand

Refer to the table load/pressure corresponding to the selected type of driving.

After using sand pressures, they must be adjusted to the correct pressure for subsequent conditions of use (road or track).

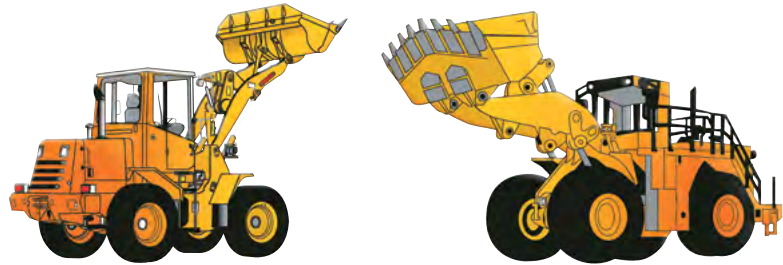
HELP WITH THE USE OF EARTHMOVER TIRES

MICHELIN EARTHMOVER TIRES FOR WORKING MACHINES: SURFACE LOADERS IN REHANDLING, PRODUCTION, EXTRACTION AND FACEWORK

BASE PRESSURES

The base pressures designate the necessary pressure for the load carried.

There are two ways to determine the base pressures of a loader.



BY WEIGHING THE MACHINE AXLES

- **Determine** the maximum load on each tire by weighing.
- **Use** the tables *Tire Loads and Pressures* for LOADERS from the MICHELIN® Technical Data Book.
Front Laden: for the laden front axle(bucket full)
Rear Unladen: for the unladen rear axle(bucket empty)

BY CALCULATION, USING THE MACHINE MANUFACTURER'S DATA

- **Determine** the maximum load on each tire from the axle loads (bucket empty/full) data by the manufacturer.
- **Use** the tables *Tire Loads and Pressures* for LOADERS from the MICHELIN® Technical Data Book.
Front Laden: for the laden front axle(bucket full)
Rear Unladen: for the unladen rear axle(bucket empty)

ADJUSTMENTS OF THE BASE PRESSURE

To improve stability, the following adjustments are possible:

Front axle: For a given load, it is possible to increase tire pressure by 1 bar compared to the pressure determined by the methods presented above.

On the rear axle, it is recommended to use a pressure of 70% of the recommended value for the front axle.

These adjustments shall be made within the limits shown on page 152.

Important

During long road trips (delivery, transfer from one site to another), special precautions are necessary.

For more information, please consult your Michelin Representative.

MICHELIN EARTHMOVER TIRES IN BLOCK HANDLING APPLICATION

The block handling usage is very specific, both recommendations and usage conditions listed below must be respected at all times:

- Always fit the tire on heavy duty wheels / reinforced flanges
- Always inflate the tire to 9 bar (130 psi) cold pressure
- Inspect the tire weekly by qualified personnel:
 - Pressure check
 - Visual inspection of the bead zone. If any deformation is detected , it is mandatory to remove the tire immediately
- Usage of chains is authorized
- Remove the tire after using it up to a maximum of 4 years within this application

HELP WITH THE USE OF EARTHMOVER TIRES

MICHELIN EARTHMOVER TIRES FOR WORKING MACHINES: DOZERS

HOW TO CALCULATE INFLATION PRESSURES

Depending on the type of work, tires on a dozer are subjected to different types of loading.

- The load on the Front Axle is at the maximum when loading (pushing) a scraper.
- The load on the Rear axle is at the maximum when dozing or while stockpiling.

From a practical point of view, the maximum load on either of the two axles is approximately equal to 2/3 of the machine weight.

- **Use this method** to determine the load on each tire.
- **Use** the tables *Tire Loads and Pressures* for LOADERS for the Rear Unladen.



MICHELIN EARTHMOVER TIRES FOR WORKING MACHINES: GRADERS

HOW TO CALCULATE INFLATION PRESSURES

As a general rule, the minimal inflation pressure recommendation must never be lower than 2 bar (29 psi)

- **Weigh the machine** to find out the load on each axle or use the loads given by the machine manufacturer.
- **Use** the tables *Tire Loads and Pressures* for GRADERS

For special work (example: sloping embankments), the inflation pressure should never be lower than 2.5 bar (36 psi).



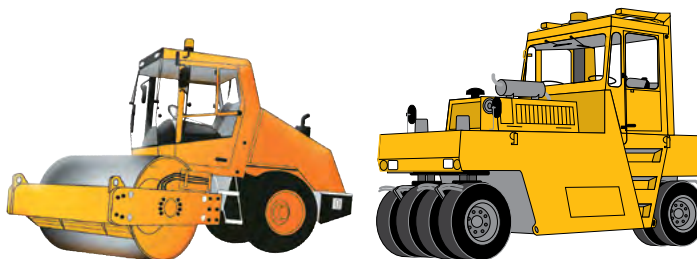
HELP WITH THE USE OF EARTHMOVER TIRES

MICHELIN EARTHMOVER TIRES FOR COMPACTORS

XLC TIRES

The tire and the working pressure depend on the material to be compacted, the type of work to be carried out and the operating speed.

Please refer to the information and operating guidelines supplied by the machine manufacturer and use the tables *Tire Loads and Pressures* for COMPACTORS from the earthmover technical data book.



MICHELIN EARTHMOVER TIRES FOR ROADBUILDING MACHINERY (PLANERS, STABILIZER MIXERS, PAVERS)



There are no tires made specifically for this type of machinery. Tires should be chosen according to their average speed capabilities in relation to those of the machine and their load capacity.

All these machines operate at 2 speeds: a "transport" or "traveling" speed and a "work" speed.

Once the load per tire has been determined, refer to the load/pressure table which corresponds best to the speed at which the selected tire is to be used.

When we determine the tire pressure in these two cases, we consistently apply the highest pressure. This is often pressure "transport."

HOW TO CALCULATE THE LOAD PER TIRE

If the load per axle is not known (no machine manufacturer's information available and no possibility of a physical weighing), follow the instructions below.

TRAVELING MACHINES:

For Cold Planers and Stabilizer Mixers: Load per axle on pneumatic tires = 50% of machine weight.

For Pavers: Load per axle on pneumatic tires = 80% of machine weight/number of axles.

LOADED/WORKING MACHINES:

For Cold Planers and Stabilizer Mixers: Load per axle = 50% of machine weight + payload.

For Pavers: Load per axle on pneumatic tires = 30% machine weight + maximum load of the container bin/number of axles.

HELP WITH THE USE OF EARTHMOVER TIRES

MICHELIN EARTHMOVER TIRES FOR UNDERGROUND MACHINES

HOW TO CALCULATE INFLATION PRESSURES

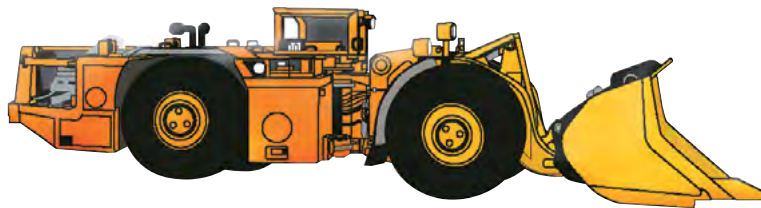
TRANSPORT MACHINES

- **Determine** the maximum load on each tire, of each axle, with the machine loaded
 - By calculation, using the machine manufacturer's data, or
 - By weighing each tire position with the machine loaded.
- **Use** the tables *Tire Loads and Pressures* for MINE TRANSPORT.

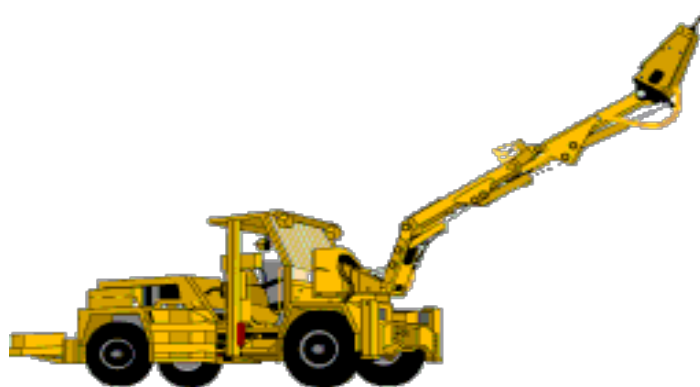


LOADERS

Apply the methods used for surface loaders (see the previous pages Chapter MICHELIN® Earthmover Tires for Working Machines: Surface Loaders).



BOLTERS, BORERS, SCALERS AND OTHER SERVICE MACHINES



TIRES FOR TRANSPORT MACHINES: TKPH (TMPH) METHOD

FACTORS TO BE CONSIDERED WHEN SELECTING THE MOST APPROPRIATE TIRE:



CHOOSING THE IDEAL TIRE

- This will depend on:
- The fitment possibilities offered by the machine manufacturer
 - The service conditions on the site
Factors such as load, speed, surface conditions, etc. must be considered

TIRE BEHAVIOR

- How are the tires wearing?
- What are the main reasons for removing a tire from service?
- Are there sidewall or tread problems?

PROBLEMS THAT MAY ARISE

- How does the machine/tire combination behave?
(For example, traction)

THE MACHINE

- The tire sizes
- The loads the tires have to carry (laden and unladen)

THE SITE

- Type of surface, condition and profile of haul roads
- Type and condition of loading and tipping areas

MACHINE OPERATION ON THE SITE

- Length of the cycle (laden trip/unladen trip)
- Maximum number of cycles during a working period or shift
- Duration of the working period or shift

TKPH (TMPH) definition:

The TKPH (Ton Kilometer Per Hour) or TMPH (Ton Mile Per Hour) is an expression of the working capacity of a tire.

The TKPH (TMPH) is a function of the maximum allowed internal operating temperature of a tire.

TIRE TKPH OR TIRE TMPH

A tire's TKPH (TMPH) depends on its design and varies according to size and type.

TKPH (TMPH) values are given along with other MICHELIN® tire characteristics.

It is a function of load and the number of kilometers (miles)

covered per hour at an ambient temperature of 38 °C (100° F).

The formula to convert a TKPH rating to a TMPH rating is:

$$\text{TMPH} = \text{TKPH} \times 0,685$$

TMPH calculation is based on the "short ton" which corresponds to 2,000 lbs or 907 kg.

BASIC SITE TKPH OR TMPH

This value reflects the specific requirements of a site and can be obtained by using the following formula:

$$\text{Basic site TKPH (basic site TMPH)} = Q_m \times V_m$$

Where Q_m = average load per tire

V_m = average cycle speed, in km (or miles) per hour

AVERAGE LOAD PER TIRE (Q_m)

Average load per tire (Q_m):

$$Q_m = \frac{Q_c + Q_v}{2}$$



where Q_c = is the load per tire in ton (TKPH), or in short ton (TMPH), on a laden vehicle.

Q_v = is the load per tire in ton (TKPH), or in short ton (TMPH), on an unladen vehicle.

The Q_m calculation should theoretically be made for each tire. However, in practice, specific tire loads are not normally available; therefore, this leads to the assumption that each tire on the same axle carries an equal load. When calculating the average load per tire on the front and the rear axles, the greatest value of Q_m shall be used in TKPH (TMPH) calculation.

In most cases, on two-axle dump trucks, the distribution of the total load of the loaded vehicle (unladen weight + payload) corresponds to 33.3% on the front axle (single tires) and 66.7% on the rear axle (twinned tires).

When unladen, the front axle is almost always the heaviest. Thus, the maximum Q_m , will nearly always be on the front axle.

Caution: Ensure that load distribution Front/Rear is even

Of course, the analysis of the site (or at least, the collected information), weighings and machine characteristics, will provide the information to define and check the load per tire.

THE NUMBER OF KM (OR NUMBER OF MILES) COVERED ON THE REFERENCE CYCLE



This is obtained by using the relationship:

$$V_m = \frac{L}{H}$$

Where L = is the cycle length in kilometers (TKPH), or in miles (TMPH).

The reference cycle must be the one with the highest average speed.

H = is the duration of cycle in hours.

REAL SITE TKPH OR REAL SITE TMPH

The $Q_m \times V_m$ formula is used to calculate the basic site TKPH (or TMPH).

To obtain the real site TKPH (or TMPH), two more factors must be taken into account:

- The length of cycles exceeding 5 kilometers (or 3 miles)
- The ambient temperature

CYCLE LENGTH-K1 COEFFICIENT

For cycle lengths exceeding 5 kilometers (or 3 miles) apply to the basic site TKPH (or basic site TMPH) the K1 coefficient, the values of which are given on following pages.

SITE AMBIENT TEMPERATURE (TA) - K2 COEFFICIENT

The standard ambient temperature is 38 °C (100° F). For a given speed, a site temperature higher than 38 °C increases the real site TKPH (or TMPH). Conversely, a temperature lower than 38 °C (100° F) decreases the real site TKPH (or TMPH).

The K2 coefficient:

Where V_m is the reference cycle average speed on the site in km/h for TKPH and in mph for TMPH,

TA is the ambient temperature, in °C for TKPH and in °F for TMPH

TR is the reference temperature (38 °C for TKPH and 100° F for TMPH)

Is to apply to the basic site TKPH (basic site TMPH).

Its calculation depends on whether the ambient temperature of the basic site is above or below 38 °C (100° F).

if $TA < 38$ °C (100° F)

$$K2 = \frac{1}{1 - \left[\frac{0,25^* \times (TA - TR)}{V_m} \right]}$$

(*: Use 0.086 instead of 0.25 when calculating basic site TMPH)

if $TA > 38$ °C (100° F)

$$K2 = \frac{1}{1 - \left[\frac{0,40^* \times (TA - TR)}{V_m} \right]}$$

(*: Use 0.138 instead of 0.40 when calculating basic site TMPH)

The ambient temperature of the site (TA) to be taken into account is "the maximum temperature in the shade" during the hottest period.

For temperatures TA greater than 15 °C (59° F), use the K2 coefficients shown on the following pages.

For temperatures TA lower than 15 °C (59° F), use the K2 coefficients shown in the shaded area of the table on the following pages.

To sum up, for the real site TKPH (TMPH) calculation, proceed as follows:

- Calculate the basic site TKPH (TMPH).
- Calculate the correct for cycle length exceeding 5 kilometers (3 miles) by applying the K1 coefficient.
- Calculate the correct for ambient temperatures not equal to 38 °C (100° F) by applying the K2 coefficient.

Real site TKPH (or TMPH) = Basic site TKPH (or basic site TMPH) x K1 x K2

COMPARISON OF THE TIRE TKPH (TMPH) AND REAL SITE TKPH (TMPH)

On the basis that the choice of tread pattern is made to meet the needs of traction, protection and speed, there are 2 possibilities:

- The tire's TKPH (TMPH) is greater than the real site TKPH (TMPH): the tire is suitable for the application.
- The tire's TKPH (TMPH) is below the real site TKPH (TMPH): the tire is not suitable for the application.

In case b:

- Check if another tread pattern or type may be used.
- See if a modification of operating conditions is possible (reduction of load and/or reduction of speed, reduced number of cycles in the same time period, etc.).

EXAMPLE OF A SITE TKPH (TMPH) CALCULATION

The data to calculate the real site TKPH (TMPH) where a RDT is fitted with 37.00 R 57 tire is as follows:

- Well-kept but abrasive haul roads;
- Average payload: 180 tons (198.5 short ton); mine value
- Reference cycle: 21 km (12.8 miles);
- Unladen weight–Front: 64 tons (70.6 short ton)
- Duration of cycle: 1 hour 15 minutes ;
H = 1 +(15/60) = 1,25 hour;
- Unladen weight–Rear: 57 tons (62.8 short ton)
- Ambient temperature: TA = 42 °C (107.6 °F);
- Distribution of total laden weight: Front = 33.3% Rear = 66.7%



CALCULATION OF QM (AVERAGE TIRE LOAD)

	(TKPH)	(TMPH)
- Gross Vehicle Weight (GVW)	180 + 64 + 57 = 301 tons	198.5 + 70.6 + 62.8 = 332 short tons
- Unladen weight per tire–Front; Qv:	$\frac{64}{2} = 32$ tons	$\frac{70,6}{2} = 35$ short tons
- Laden weight per tire–Front; Qc: (33.3% of GVW on front axle)	$\frac{301 \times 33,3}{2 \times 100} \sim 50$ tons	$\frac{332 \times 33,3}{2 \times 100} = 55$ short tons
- Average tire load, Qm Front:	$\frac{32 + 50}{2} = 41$ tons	$\frac{35 + 55}{2} = 45$ short tons
- Unladen weight per tire–Rear; Qv:	$\frac{57}{4} = 14$ tons	$\frac{62,8}{4} = 15.5$ short tons
- Laden weight per tire–Rear; Qc: (66.7% of GVW on rear axle)	$\frac{301 \times 66,7}{4 \times 100} \sim 50$ tons	$\frac{332 \times 66,7}{4 \times 100} = 55$ short tons
- Average tire load, Qm–Rear:	$\frac{14 + 50}{2} = 32$ tons	$\frac{15,5 + 55}{2} = 35$ short tons
Thus, the value for Qm to be used will be:	41 tons	45 short tons

CALCULATION OF VM (DISTANCE COVERED PER HOUR)

$Vm = \frac{L}{H}$	$\frac{21}{1,25} = 16.8$ km in one hour	$\frac{12,8}{1,25} = 10.2$ miles in one hour
--------------------	-----------------------------------------	----------------------------------------------

BASIC SITE TKPH (TMPH)

TKPH (TMPH) = Qm x Vm	41 x 17 = 689	45 x 10,6 = 459
-----------------------	----------------------	------------------------

CALCULATION OF K1 COEFFICIENT

Beyond 5 km/h, the cycle length has an influence on the real site TKPH.

The cycle is greater than 5 km (3 miles), the coefficient K1 corresponding to 21 km (12.8 miles) which is the reference cycle starts, is: **1.19** (value on next page) for the calculation of TKPH and TMPH.

VALUE OF THE K2 COEFFICIENT

Ambient temperatures different of 38 °C (100° F) has an influence on the real site TKPH.

You can use the table on the opposite page, to find the K2 coefficient (in TKPH units), by interpolation for your actual reference cycle average speed and ambient temperature. In this case, for Vm = 17 km/h (10.6 mph) and TA = 42 °C (107.6° F), we find K2 = 1.105

CALCULATION OF THE K2 COEFFICIENT

In our example, the ambient temperature is 42 °C (107.6° F). The calculation of the coefficient K2 is as follows:

$$K2 = \frac{1}{1 - \frac{[0,40^* \times (TA - TR)]}{Vm}} = \frac{1}{1 - \frac{[0,40^* \times (42 - 38)]}{16,8}} = 1.105 \quad \frac{1}{1 - \frac{[0,138^* \times (107,6 - 100)]}{10,2}} = 1.114$$

(*: Use 0.138 instead of 0.4 for the calculation of TMPH)

REAL SITE TKPH (TMPH)

Applying the K1 and K2 coefficients to the basic site TKPH (TMPH) gives the real site TKPH (TMPH).

$$689 \times 1.19 \times 1.105 = \mathbf{906} \quad 459 \times 1.19 \times 1.114 = \mathbf{608}$$

TIRE TKPH (TMPH)/REAL SITE TKPH (TMPH) COMPARISON

In the 37.00 R 57 XDR® size	the different tire TKPH values are:	the different tire TMPH values are:
	B4 = 848	B4 = 581
	B = 1018	B = 698
	C4 = 1145	C4 = 784
	C = 1272	C = 871

In our example, the B4 type is not suitable. All other types of compound are possible.

The tracks being abrasive and the loading and unloading areas being aggressive, the choice will be the B type.

MICHELIN EARTHMOVER TIRES FOR TRANSPORT MACHINES K COEFFICIENT CALCULATED AND USED FOR THE TKPH (TMPH) METHOD



K1 COEFFICIENTS														
L (km)	L (ml)	K1	L (km)	L (ml)	K1	L (km)	L (ml)	K1	L (km)	L (ml)	K1	L (km)	L (ml)	K1
			11	6.8	1.13	21	13	1.19	31	19.3	1.21	41	25.5	1.23
			12	7.4	1.14	22	13.7	1.19	32	19.9	1.21	42	26.1	1.23
			13	8	1.15	23	14.3	1.20	33	20.5	1.22	43	26.7	1.23
			14	8.7	1.16	24	14.9	1.20	34	21.1	1.22	44	27.3	1.23
5	3.1	1.00	15	9.3	1.16	25	15.5	1.20	35	21.7	1.22	45	28	1.23
6	3.7	1.04	16	9.9	1.17	26	16.2	1.20	36	22.4	1.22	46	28.6	1.23
7	4.3	1.06	17	10.6	1.17	27	16.8	1.21	37	23	1.22	47	29.2	1.23
8	5	1.09	18	11.2	1.18	28	17.4	1.21	38	23.6	1.22	48	29.8	1.23
9	5.6	1.10	19	11.8	1.18	29	18	1.21	39	24.2	1.22	49	30.4	1.23
10	6.2	1.12	20	12.4	1.19	30	18.6	1.21	40	25	1.22	50	31	1.23

L = Cycle length in kilometers and in miles.

K2 COEFFICIENTS																
Vm Km (miles)	Ambient temperature															
	15 °C 59° F	17,5 °C 63.5° F	20 °C 68° F	22,5 °C 72.5° F	25 °C 77° F	27,5 °C 81.5° F	30 °C 86° F	32,5 °C 90.5° F	35 °C 95° F	37,5 °C 99.5° F	40 °C 104° F	42,5 °C 108.5° F	45 °C 113° F	47,5 °C 117.5° F	50 °C 122° F	
10 (6)	0.635	0.661	0.690	0.721	0.755	0.792	0.833	0.879	0.930	0.988	1.087	1.220	1.389	1.613	1.923	
12 (7)	0.676	0.701	0.727	0.756	0.787	0.821	0.857	0.897	0.941	0.990	1.071	1.176	1.304	1.463	1.667	
14 (9)	0.709	0.732	0.757	0.783	0.812	0.842	0.875	0.911	0.949	0.991	1.061	1.148	1.250	1.373	1.522	
16 (10)	0.736	0.757	0.780	0.805	0.831	0.859	0.889	0.921	0.955	0.992	1.053	1.127	1.212	1.311	1.429	
18 (11)	0.758	0.778	0.800	0.823	0.847	0.873	0.900	0.929	0.960	0.993	1.047	1.111	1.184	1.268	1.364	
20 (12,5)	0.777	0.796	0.816	0.838	0.860	0.884	0.909	0.936	0.964	0.994	1.042	1.099	1.163	1.235	1.316	
21 (13)	0.785	0.804	0.824	0.844	0.866	0.889	0.913	0.939	0.966	0.994	1.040	1.094	1.154	1.221	1.296	
22 (14)	0.793	0.811	0.830	0.850	0.871	0.893	0.917	0.941	0.967	0.994	1.038	1.089	1.146	1.209	1.279	
24 (15)	0.807	0.824	0.842	0.861	0.881	0.901	0.923	0.946	0.970	0.995	1.034	1.081	1.132	1.188	1.250	
26 (16)	0.819	0.835	0.852	0.870	0.889	0.908	0.929	0.950	0.972	0.995	1.032	1.074	1.121	1.171	1.226	
28 (17)	0.830	0.845	0.862	0.878	0.896	0.914	0.933	0.953	0.974	0.996	1.029	1.069	1.111	1.157	1.207	
30 (19)	0.839	0.854	0.870	0.886	0.902	0.920	0.938	0.956	0.976	0.996	1.027	1.064	1.103	1.145	1.190	
32 (20)	0.848	0.862	0.877	0.892	0.908	0.924	0.941	0.959	0.977	0.996	1.026	1.060	1.096	1.135	1.176	
34 (21)	0.855	0.869	0.883	0.898	0.913	0.928	0.944	0.961	0.978	0.996	1.024	1.056	1.090	1.126	1.164	
36 (22)	0.862	0.875	0.889	0.903	0.917	0.932	0.947	0.963	0.980	0.997	1.023	1.053	1.084	1.118	1.154	
38 (24)	0.869	0.881	0.894	0.907	0.921	0.935	0.950	0.965	0.981	0.997	1.022	1.050	1.080	1.111	1.145	
40 (25)	0.874	0.886	0.899	0.912	0.925	0.938	0.952	0.967	0.982	0.997	1.020	1.047	1.075	1.105	1.136	
42 (26)	0.880	0.891	0.903	0.916	0.928	0.941	0.955	0.968	0.982	0.997	1.019	1.045	1.071	1.099	1.129	
44 (27)	0.884	0.896	0.907	0.919	0.931	0.944	0.957	0.970	0.983	0.997	1.019	1.043	1.068	1.095	1.122	
46 (28)	0.889	0.900	0.911	0.922	0.934	0.946	0.958	0.971	0.984	0.997	1.018	1.041	1.065	1.090	1.117	
48 (29)	0.893	0.904	0.914	0.925	0.937	0.948	0.960	0.972	0.985	0.997	1.017	1.039	1.062	1.086	1.111	
50 (31)	0.897	0.907	0.917	0.928	0.939	0.950	0.962	0.973	0.985	0.998	1.016	1.037	1.059	1.082	1.106	

Vm = number of km (miles) covered per hour.

Interpolation is allowed between the temperatures shown in the column headings.

MICHELIN EARTHMOVER TIRES FOR SPECIFIC USES

1° Firstly, if the dimension exists for your machine and your use, you must use it (example: mechanical handling tires for handling use; heavy truck tires for construction use or for builder use, etc.)



2° For all other cases, you must contact your Michelin Representative.

APPROXIMATE LOOSE MATERIAL DENSITIES (t/m³)

MATERIAL	DENSITY	MATERIAL	DENSITY
Alkaline potash	1.3 to 1.5	Copper ore	1.6
Anthracite	0.9 to 1.1	Iron ore	2.4 to 3.3
Clay (dry)	1 to 1.1	Pyrites	2.6
Clay (moist)	1.2 to 1.3	Earth (dry)	1.2 to 1.5
Clay (wet)	1.3 to 1.4	Earth (moist)	1.3 to 1.4
Bauxite	1.5	Earth (wet)	1.4 to 1.5
Mud	1.8	Overburden	1.7 to 1.8
Limestone	1.5 to 1.6	75% rock–25% earth	1.9 to 2
Coal	0.7	50% rock–50% earth	1.7 to 1.8
Quicklime	0.9 to 1.3	25% rock–75% earth	1.6
Slaked lime	1.1 to 1.3		
Chalk	1.8 to 2.6	Sand (dry)	1.5
Granite	1.6 to 1.7	Sand (moist)	1.9
Sandstone	1.6	Gravel (dry)	1.7 to 1.8
Crushed gypsum	1.6	Gravel (moist)	2
Marl clay	2.2		

APPROXIMATE LOOSE MATERIAL DENSITIES UNITS OF MEASURE AND CONVERSION TABLES

UNITS OF MEASURE AND CONVERSION TABLES

MEASUREMENT	ABBREVIATION	CONVERSION FACTOR	ABBREVIATION	MEASUREMENT	CONVERSION FACTOR	ABBREVIATION
TORQUE						
pound-foot	lb ft	x 0.1383	= m kg	kilogramme metre	x 7.233	= lb ft
kilogramme metre	m kg	x 9.81	= m N	Newton metre	x 0.102	= m kg
LENGTH						
inch	in	x 0.0254	= m	metre	x 39.37	= in
foot	ft	x 0.3048	= m	metre	x 3.281	= ft
yard	yd	x 0.9144	= m	metre	x 1.0936	= yd
mile	ml	x 1.6093	= km	kilometre	x 0.6214	= ml
LOAD						
pound	lb	x 0.4536	= kg	kilogramme	x 2.205	= lb
long ton (G.B.) 2240 lb	lg ton	x 1.016	= t	metric tonne	x 0.984	= lg ton
short ton (U.S.) 2000 lb	sh ton	x 0.907	= t	metric tonne	x 1.103	= sh ton
DENSITY						
pound per cubic foot	lb/cu ft	x 16.0184	= kg/m ³	kilogramme/m ³	x 0.625	= lb/cu ft
pound per cubic yard	lb/cu yd	x 0.5933	= kg/m ³	kilogramme/m ³	x 1.686	= lb/cu yd
PRESSURE						
kilo-pascal	kPa	x 0.01	= bar	bar	x 100	= kPa
atmosphere (at sea level)	atm	x 0.986	= bar	bar	x 1.014	= atm
pound per square inch	P.S.I.	x 0.0703	= kg/cm ²	kilogramme/cm ²	x 14.22	= P.S.I.
pound per square inch	P.S.I.	x 0.069	= bar	bar	x 14.513	= P.S.I.
pound per square inch	P.S.I.	x 0.068	= atm	atmosphere	x 14.7	= P.S.I.
pound per square inch	P.S.I.	x 6.895	= kPa	kilo Pascal	x 0.145	= P.S.I.
POWER						
french horse power	C.V.	x 0.7355	= KW	kilowatt	x 1.36	= C.V.
horse power	H.P.	x 0.7457	= KW	kilowatt	x 1.34	= H.P.
french horse power	C.V.	x 0.98	= H.P.	horse power	x 1.014	= C.V.
VOLUME/CAPACITY						
cubic foot	cu ft	x 0.02832	= m ³	cubic metre	x 35.31	= cu ft
cubic yard	cu yd	x 0.7646	= m ³	cubic metre	x 1.308	= cu yd
gallon (U.S.)	gal	x 3.7854	= l	liter	x 0.2642	= gal
TEMPERATURE						
degree fahrenheit	°F	- 32 et x (5/9)	= °C	degree Celsius	x (9/5) et + 32	= °F

FOOTNOTES & CAUTION

- (1) See page 146 & 173..... explanation about TKPH (TMPH)
- (2) See page 142..... explanation of the different characteristics
- (3) explanation about rim size marking
 example: 44.00/5.0 [6.0]
 the 1st value indicates rim width in inch (in this example: 44 inches)
 the 2nd value indicates the height of the rim flange (in this example: 5 inches)
 the 3rd value indicates the width of the rim flange (in this example: 6 inches)
- (5) increase pressure by 0,5 bar on the loader front axle
- (6) See page 150..... and in the EARTHMOVER TIRE USE AND MAINTENANCE GUIDE BY MICHELIN
 explanation about TG rim
- (8) manufacture is discontinued (commercial description highlighted to attract attention)
- (9) special order only (commercial description highlighted to attract attention) Consult your local Michelin representative
- (10) See page 142, 150, 151, 167 to 177..... explanation of the various tables of load according to the use and to the tire position and how to determine pressures
 It is imperative to follow the explanation given Not following these instructions may impact tire performance
- (12) never exceed 6 bar
- (13) The removable flange must be continuous along its circumference, with no opening
 * The flange must be continuous in full-circumference, not open or split
 ** The «H» is on the tire side, the G of the norm is on the external part and until the rim bole
- (14) Diameter: Left column, fixed side; right column, removable side.

All values shown in these tables are maximums and should not be exceeded.



MICHELIN TECHNICAL DATA | 2022-23 EDITION
EARTHMOVER TIRES